

0CK50-M01440EN

P R E F A C E

1. This Parts Catalog carries Yanmar excavator (crawler back-hoe) VI050-6B for Brazil.

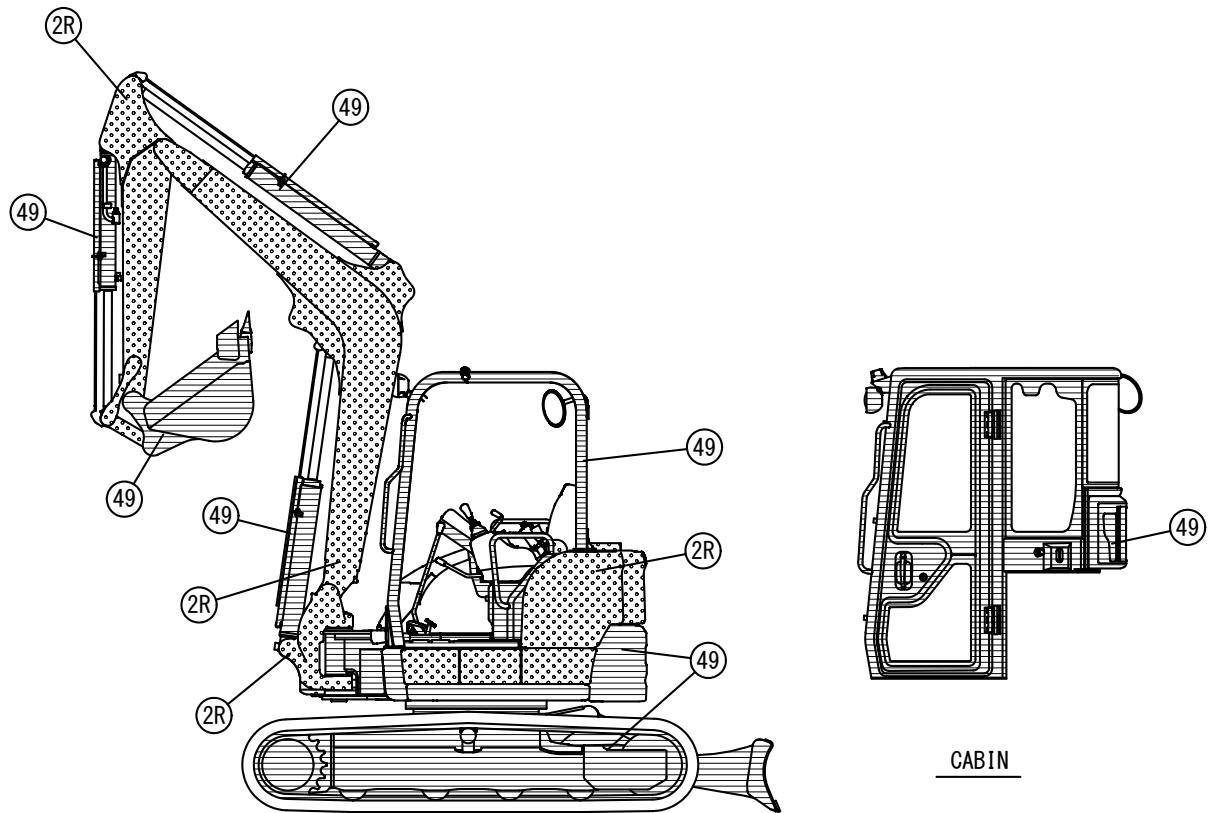
2. Parts catalog history



		Model	Published	Remarks
1st edition	Vehicle	VI050-6B (BR)	Dec. , 2017	
	Engine	4TNV88-ZPBV		

3. Your understanding is asking that this parts catalog is not a technical data manual setting forth as servicing procedures, This parts catalog is using simplified illustration.

Be sure to use Yanmar Genuine Parts in your maintenance servicing of Yanmar products. Be careful not to use the simple parts available in the market, otherwise their use in repairing causes such as an early breakage, for instance.

VEHICLE PAINTED COLOR



Color Code	Description	Painted Color	Paint Part No.		
			16L Can	4L Can	SPRAY
2R		YANMAR Turmeric Yellow	-----	977620-41001	977620-41002
49		YANMAR Navy Gray	-----	TOR-91390001	TOR-94800491

PICTURESQUE INDEX (1) ■ ■ ■ MAIN PARTS

1. LABEL & ACCESSORY
Fig. 1~6

16. OPTIONAL & KIT
Fig. 154~157

3. ELECTRICAL PARTS
Fig. 20~33

4. AIR CONDITIONER & HEATER
Fig. 34~40

14. HYDRAULIC OIL PIPING
Fig. 127~144

11. CANOPY
Fig. 87~89

12. CABIN
Fig. 90~101

9. AROUND SEAT
Fig. 71~82

2. ENGINE RELATED
Fig. 7~19

10. BONNET
Fig. 83~86

6. CONTROL EQUIPMENT
Fig. 47~56

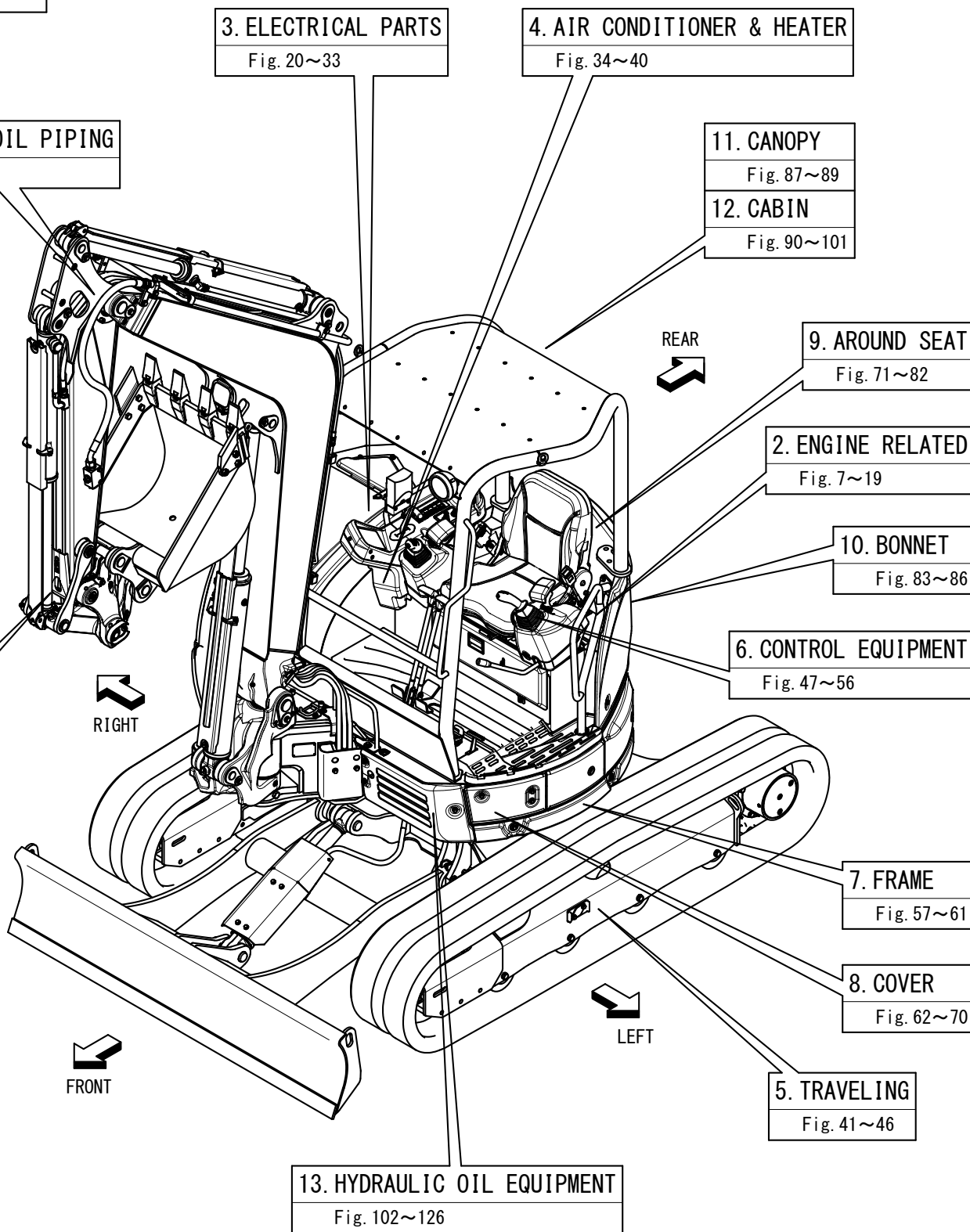
15. IMPLEMENT
Fig. 145~153

7. FRAME
Fig. 57~61

8. COVER
Fig. 62~70

5. TRAVELING
Fig. 41~46

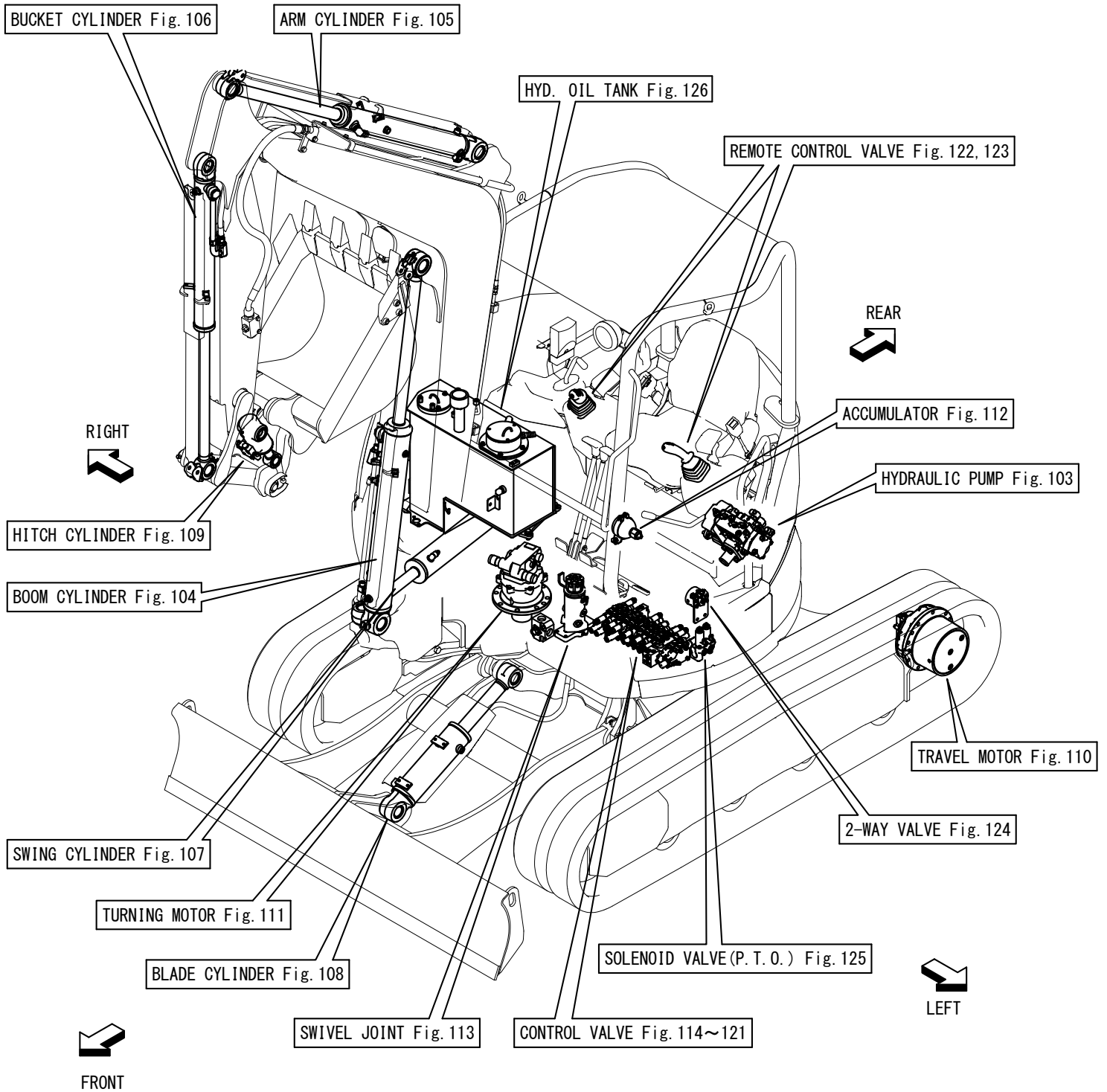
13. HYDRAULIC OIL EQUIPMENT
Fig. 102~126



PICTURESQUE INDEX (2) ■ ■ ■ HYDRAULIC SECTION

HYD. OIL PIPING Fig. 127~141

CONTROL PIPING Fig. 142, 143



Contents

OCK50-M01440

Fig. No. Fig. Name

LABEL & ACCESSORY

1. LABEL(EXTERIOR)
2. LABEL(BONNET INSIDE)
3. LABEL(CANOPY)
4. LABEL(CABIN)
5. LABEL(QUICK COUPLER)
6. TOOL BOX

ENGINE RELATED

7. MUFFLER
8. AIR CLEANER
9. MUFFLER COVER
10. ACCELERATOR
11. ENGINE MOUNT
12. ENGINE MOUNT(AIR CONDITIONER SPEC.)
13. RADIATOR SHROUD
14. RADIATOR & SUB TANK
15. RADIATOR HOSE
16. DUCT
17. FUEL TANK
18. FUEL PIPING
19. FUEL FILTER

ELECTRICAL PARTS

20. AROUND THE ENGINE

Fig. No. Fig. Name

21. HARNESS SUPPORT
22. BATTERY(MINUS CABLE)
23. HORN
24. HARNESS GUIDE
25. STARTER SWITCH
26. AROUND THE SEAT
27. PRESSURE SWITCH
28. TRAVEL ALARM
29. WORK LAMP
30. INSTRUMENT PANEL(CANOPY)
31. INSTRUMENT PANEL(CABIN)
32. QUICK COUPLER(SWITCH BOX)
33. GPS

AIR CONDITIONER & HEATER

34. AIR CONDITIONER(UNIT)
35. AIR CONDITIONER(ACCESSORY)
36. AIR CONDITIONER(PIPING)
37. AIR CONDITIONER(ENGINE RELATED)
38. AIR CONDITIONER(CONDENSER RELATED)
39. AIR CONDITIONER(ELECTRIC PARTS)
40. DUCT(AIR CONDITIONER SPEC.)

TRAVELING

41. SPROCKET

Contents

OCK50-M01440

Fig. No. Fig. Name

- 42. IDLER & ADJUST
- 43. TRACK ROLLER
- 44. CARRIER ROLLER
- 45. IRON CRAWLER
- 46. RUBBER CRAWLER

CONTROL EQUIPMENT

- 47. TRAVEL PEDAL
- 48. VALVE MOUNT
- 49. TRAVEL LEVER
- 50. SWING PEDAL
- 51. LINK COVER
- 52. PEDAL COVER
- 53. LEVER SPACER
- 54. BLADE LEVER
- 55. ARMREST
- 56. LOCK LEVER & STAND

FRAME

- 57. TRAVEL FRAME
- 58. CRAWLER GUARD
- 59. COUNTER WEIGHT
- 60. TURNING FRAME
- 61. TURNING BEARING

Fig. No. Fig. Name

COVER

- 62. COVER(MULTI)
- 63. UPPER COVER(1)
- 64. UPPER COVER(2)
- 65. COVER(TURNING FRAME)
- 66. COVER(TRAVEL FRAME)
- 67. FRAME GUARD(LEFT)
- 68. FRAME GUARD(RIGHT)
- 69. COVER(TURNING FRAME)(FRONT - LEFT)
- 70. COVER(TURNING FRAME)(FRONT - RIGHT)

AROUND SEAT

- 71. STEP(CABIN)
- 72. STEP(CANOPY)
- 73. COVER(LEVER)
- 74. COVER(MONITOR)(CANOPY)
- 75. COVER(MONITOR)(CABIN)
- 76. SEAT MOUNT
- 77. COVER(SEAT MOUNT)
- 78. SEAT
- 79. SEAT(ACCESSORY)
- 80. PLUG(SEAT MOUNT)
- 81. HANDRAIL(LEFT)
- 82. HANDRAIL(RIGHT)

Contents

OCK50-M01440

Fig. No. Fig. Name

BONNET

- 83. BONNET(REAR)
- 84. BONNET(FRONT)
- 85. BONNET(LEFT)
- 86. BONNET(RIGHT)

CANOPY

- 87. CANOPY
- 88. CANOPY LAMP
- 89. CANOPY MOUNT

CABIN

- 90. WINDOW WASHER
- 91. CABIN
- 92. CABIN DOOR(1)
- 93. CABIN DOOR(2)
- 94. CABIN(FRONT WINDOW)(1)
- 95. CABIN(FRONT WINDOW)(2)
- 96. CABIN(GLASS)
- 97. CABIN(REAR COVER)
- 98. CABIN(ELECTRIC PARTS)
- 99. CABIN(ACCESSORY)
- 100. REARVIEW MIRROR
- 101. CABIN(PAD)

Fig. No. Fig. Name

HYDRAULIC OIL EQUIPMENT

- 102. HYDRAULIC PUMP MOUNT
- 103. HYDRAULIC PUMP
- 104. BOOM CYLINDER
- 105. ARM CYLINDER
- 106. BUCKET CYLINDER
- 107. SWING CYLINDER
- 108. BLADE CYLINDER
- 109. HITCH CYLINDER
- 110. TRAVEL MOTOR
- 111. TURNING MOTOR
- 112. ACCUMULATOR
- 113. SWIVEL JOINT
- 114. CONTROL VALVE(1/8)
- 115. CONTROL VALVE(2/8)
- 116. CONTROL VALVE(3/8)
- 117. CONTROL VALVE(4/8)
- 118. CONTROL VALVE(5/8)
- 119. CONTROL VALVE(6/8)
- 120. CONTROL VALVE(7/8)
- 121. CONTROL VALVE(8/8)
- 122. REMOTE CONTROL VALVE(RIGHT)
- 123. REMOTE CONTROL VALVE(LEFT)
- 124. 2-WAY VALVE
- 125. SOLENOID VALVE(P.T.O.)

Contents

OCK50-M01440

Fig. No. Fig. Name

126. HYD. OIL TANK

HYDRAULIC OIL PIPING

127. TANK - PUMP & CONTROL VALVE

128. CONTROL VALVE - TURNING MOTOR

129. CONTROL VALVE(FITTING)(1)

130. CONTROL VALVE(FITTING)(2)

131. CONTROL VALVE - RETURN & DRAIN

132. CONTROL VALVE - BOOM BULKHEAD & SWING

133. CONTROL VALVE - BOOM CYLINDER

134. CONTROL VALVE - SWIVEL JOINT

135. TRAVEL FRAME

136. ARM CYLINDER & BUCKET CYLINDER

137. P.T.O.(CONTROL VALVE - BOOM)

138. P.T.O.(BOOM - ARM END)

139. P.T.O.(SOLENOID VALVE)

140. QUICK COUPLER(1)

141. QUICK COUPLER(2)

142. CONTROL PIPING(1)

143. CONTROL PIPING(2)

144. GREASING

IMPLEMENT

145. BOOM BRACKET

146. BOOM

Fig. No. Fig. Name

147. ARM

148. BUCKET ARM & LINK

149. QUICK COUPLER

150. BUCKET

151. BUCKET PIN

152. PLUG(IMPLEMENT)

153. BLADE

OPTIONAL & KIT

154. RADIO KIT(OPTIONAL)(WITHOUT RADIO)

155. P.T.O. OVER LOAD VALVE KIT(OPTIONAL)

156. P.T.O. STOP VALVE CONNECTER KIT(OPTIONAL)

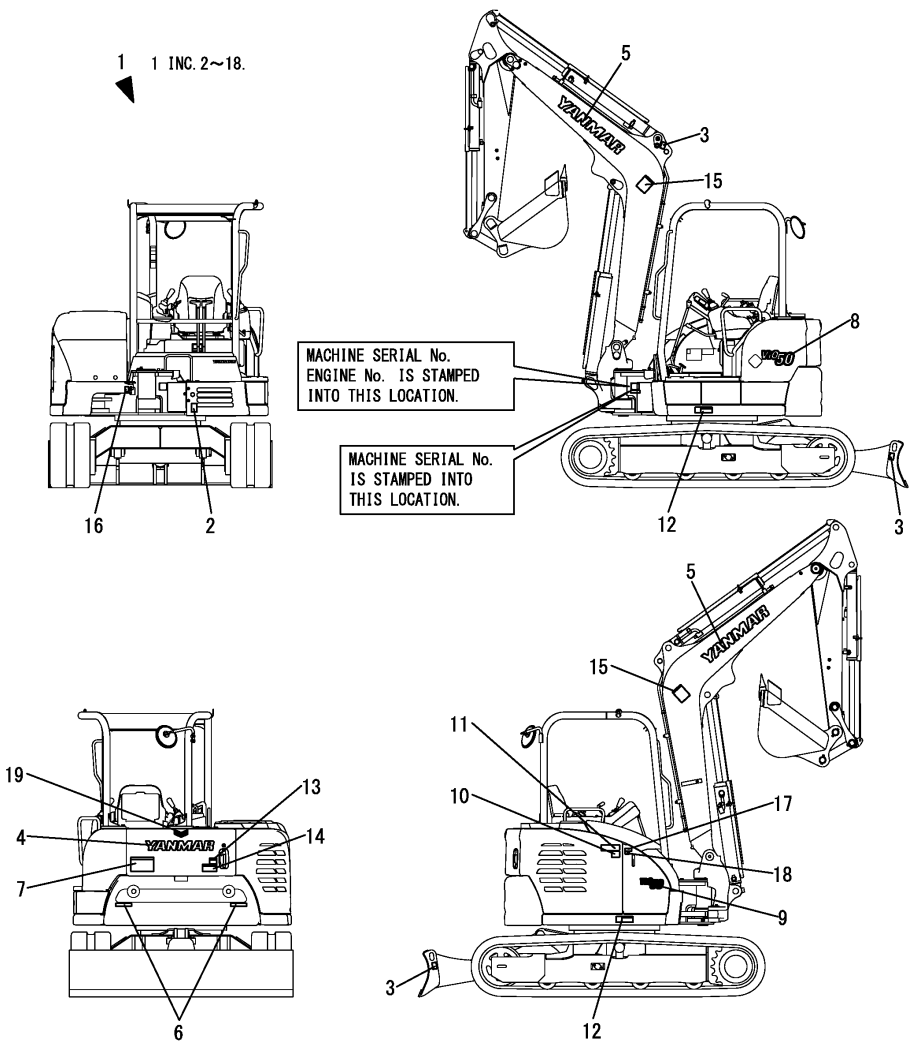
157. ADDITIONAL WEIGHT KIT(OPTIONAL)

Fig.1. LABEL(EXTERIOR)

(A)=VIO50-6B P(BR)
 (B)=VIO50-6B C(BR)
 (C)=

(D)=
 (E)=
 (F)=

No.	Lev.	Parts No.	Description	Q'ty						I	R
				(A)	(B)	(C)	(D)	(E)	(F)		
1	1	172B04-08950	LABEL SET,OUT BR50 D	1	1						
2	2	172B04-03250	LABEL,PTO SELECT EX	1	1						
3	2	172437-03511	LABEL, HOOK	3	3						
4	2	172A86-03820	LABEL, YANMAR 560 B	1	1						
5	2	172A86-03830	LABEL, YANMAR 710 B	2	2						
6	2	172B04-03980	LABEL, REFLECTOR M	2	2						
7	2	172A64-04380	LABEL, SWING AREA PT	1	1						
8	2	172B04-04490	LABEL, MODEL VIO50 L	1	1						
9	2	172B04-04500	LABEL, MODEL VIO50 R	1	1						
10	2	172B02-04540	LABEL, HYD.OIL PT	1	1						
11	2	172B02-04590	LABEL, RESERVOIR PT	1	1						
12	2	172B02-04620	LABEL, GREASE CYL PT	2	2						
13	2	172B02-04680	LABEL, ENGINE COVER P	1	1						
14	2	172B02-04690	LABEL, ENGRROOM PT	1	1						
15	2	172B02-04800	LABEL, BOOM PT	2	2						
16	2	172B02-04810	LABEL, GREASE PT	1	1						
17	2	172B02-04830	LABEL, FUEL TANK PT	1	1						
18	2	172B02-04860	LABEL, FUEL OIL CAUT	1	1						
19	1	172B04-03650	EMBLEM ASSY,FY L4 Y	1	1						



SAFETY LABEL

7

11

12

13

14

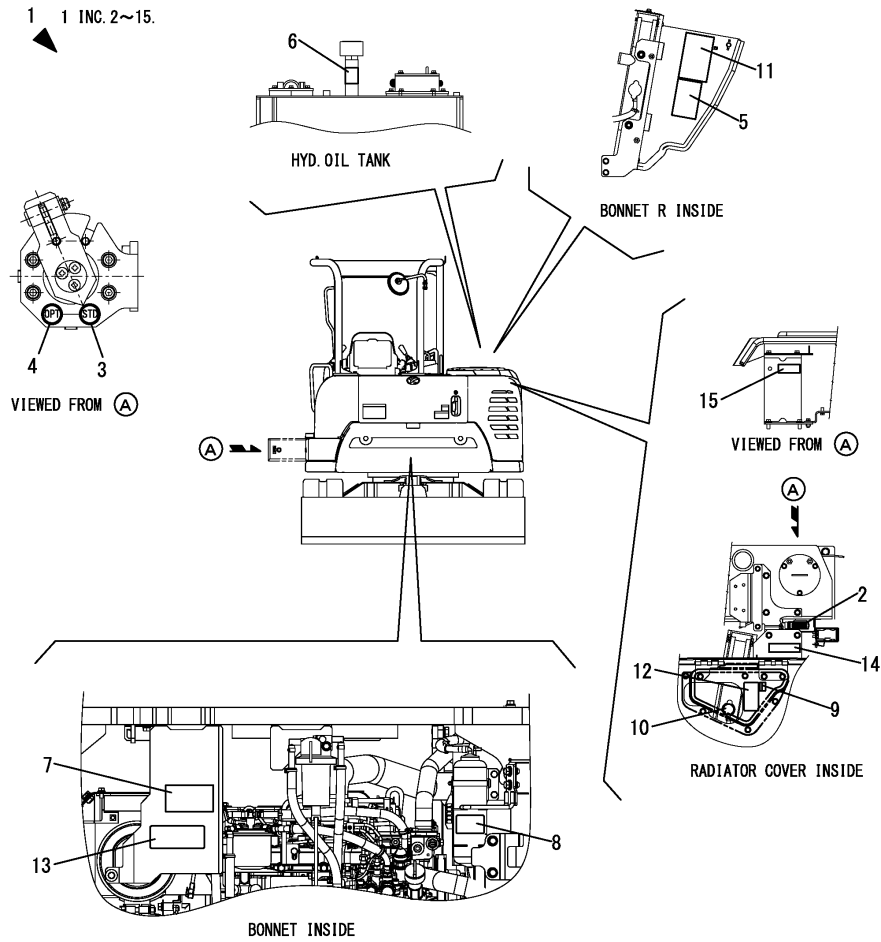
15

Fig.2. LABEL(BONNET INSIDE)

(A)=VIO50-6B P(BR)
 (B)=VIO50-6B C(BR)
 (C)=

(D)=
 (E)=
 (F)=

1 1 INC. 2~15.

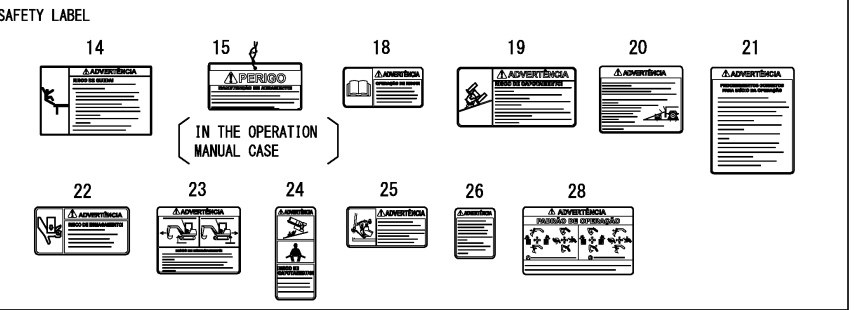
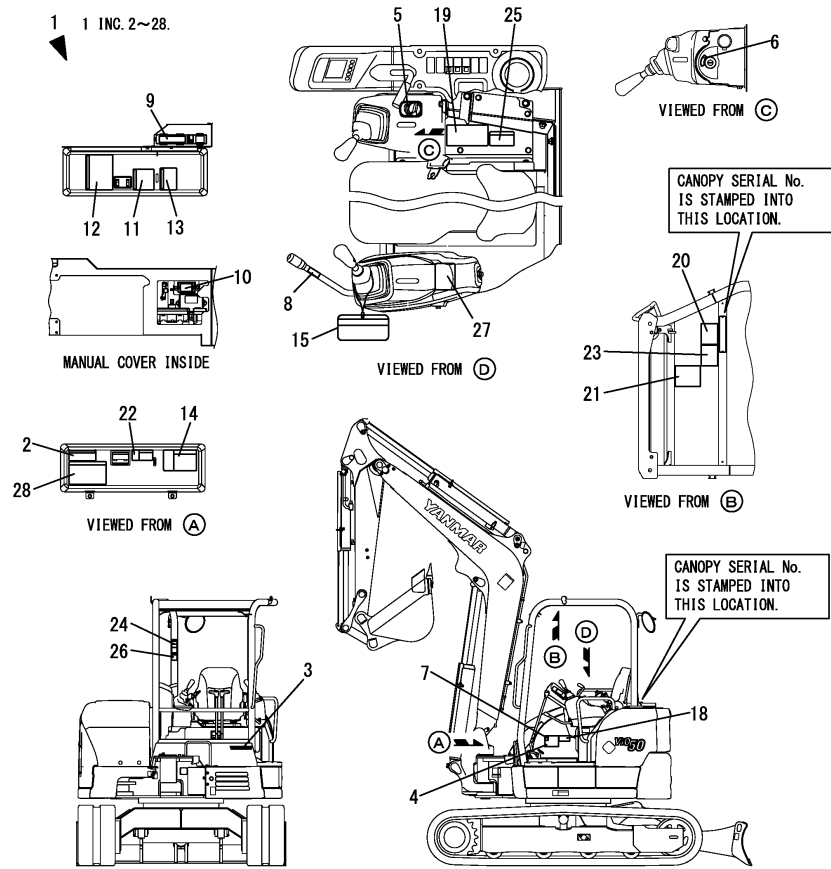


No.	Lev.	Parts No.	Description	Q'ty						I	R
				(A)	(B)	(C)	(D)	(E)	(F)		
1	1	172B04-08920	LABEL SET,IN BR	1	1						
2	2	172B04-03260	LABEL,FUSE	1	1						
3	2	172437-03610	LABEL	1	1						
4	2	172437-03620	LABEL	1	1						
5	2	172B05-04430	LABEL,BATTERY COVER	1	1						
6	2	172B05-04460	LABEL,RESERVOIR PT	1	1						
7	2	172B02-04510	LABEL,WATER DRAIN PT	1	1						
8	2	172B02-04520	LABEL,SUB-TANK PT	1	1						
9	2	172B02-04530	LABEL, ANTI-FREEZING	1	1						
10	2	172B02-04600	LABEL,RADCAP PT	1	1						
11	2	172B02-04640	LABEL,BATTERY PT	1	1						
12	2	172B02-04660	LABEL,RADIATOR PT	1	1						
13	2	172B02-04670	LABEL,SILENCER PT	1	1						
14	2	172B02-04840	LABEL,AIR CLEANER PT	1	1						
15	2	172B02-04960	LABEL,DUST IND PT	1	1						

SAFETY LABEL



Fig.3. LABEL(CANOPY)



(A)=VIO50-6B P(BR)
 (B)=VIO50-6B C(BR)
 (C)=

(D)=
 (E)=
 (F)=

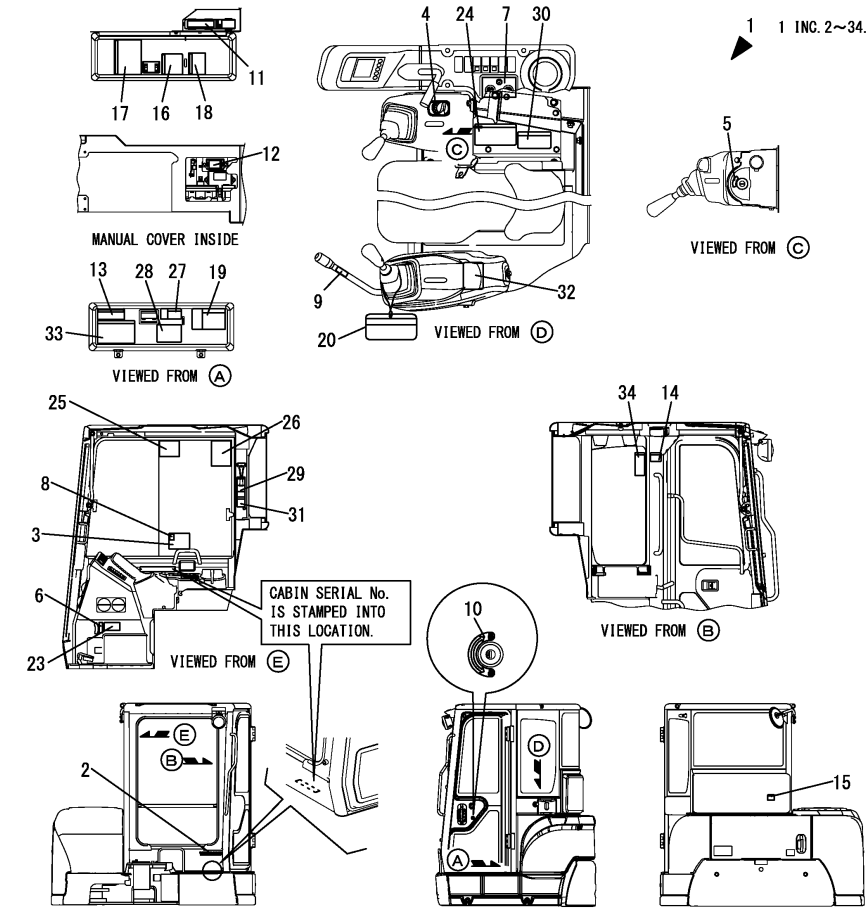
No.	Lev.	Parts No.	Description	Q'ty						I	R
				(A)	(B)	(C)	(D)	(E)	(F)		
1	1	172B04-08931	LABEL SET,4P BR D	1							
2	2	172B04-03140	LABEL,SPEC BR	1							
3	2	172B16-03180	LABEL,BRANDLOGO 200	1							
4	2	172B03-03200	LABEL, OPERATION	1							
5	2	172A69-03220	LABEL,ACCELERATOR	1							
6	2	172B03-03220	LABEL,SW	1							
7	2	172B04-03270	LABEL, PTO SWITCH	1							
8	2	172183-03280	LABEL, LOCK	1							
9	2	172B04-03350	LABEL,RELAY BOX STD	1							
10	2	172B04-03470	LABEL,FUSE BOX EX	1							
11	2	172B02-04430	LABEL,ADJUST CRAWLER	1							1
12	2	172B05-04441	LABEL,OIL/WATER PT	1							
13	2	172B05-04450	LABEL,GREASING PT	1							
14	2	172B02-04500	LABEL,SUPPORT PT	1							
15	2	172B02-04550	PLATE ASSY,WARNING P	1							
18	2	172B02-04570	LABEL,MANUAL PT	1							
19	2	172B02-04580	LABEL,SLOPE PT	1							
20	2	172B02-04610	LABEL, TRANSPORT PT	1							
21	2	172B02-04630	LABEL,NEUTRAL PT	1							
22	2	172B02-04700	LABEL,SEAT TILT UP P	1							
23	2	172B02-04710	LABEL,STERRING PT	1							
24	2	172B02-04730	LABEL,SEAT BELT PT	1							
25	2	172B02-04820	LABEL,LEVER LOCK PT	1							
26	2	172B02-04880	LABEL,ROPS PT	1							
27	2	172B02-04890	LABEL,PTO PT	1							
28	2	172B02-04950	LABEL,2 WAY PT	1							

Remarks
 (1)Rubber crawler specification.

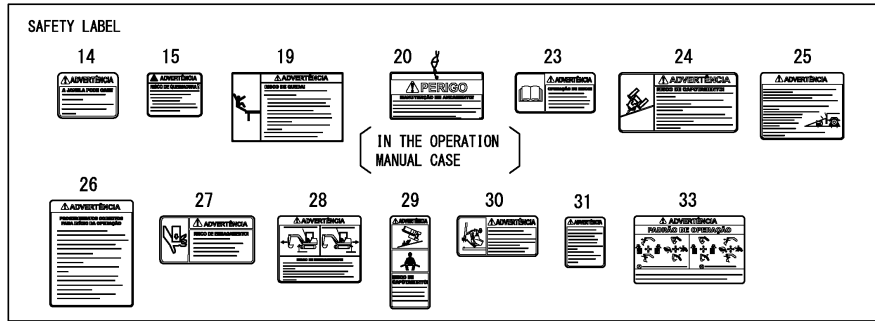
Fig.4. LABEL(CABIN)

(A)=VIO50-6B P(BR)
 (B)=VIO50-6B C(BR)
 (C)=

(D)=
 (E)=
 (F)=



No.	Lev.	Parts No.	Description	Q'ty						I	R
				(A)	(B)	(C)	(D)	(E)	(F)		
1	1	172B04-08970	LABEL SET,CAB BR50 D	1							
2	2	172B16-03180	LABEL,BRANDLOGO 200	1							
3	2	172B03-03200	LABEL, OPERATION	1							
4	2	172A69-03220	LABEL,ACCELERATOR	1							
5	2	172B03-03220	LABEL,SW	1							
6	2	172B03-03240	LABEL,AIR SELECT	1							
7	2	172B03-03250	LABEL,SW A/C	1							
8	2	172B04-03270	LABEL, PTO SWITCH	1							
9	2	172183-03280	LABEL, LOCK	1							
10	2	172B03-03280	LABEL,DOOR KEY LOCK	1							
11	2	172B04-03350	LABEL,RELAY BOX STD	1							
12	2	172B04-03470	LABEL,FUSE BOX EX	1							
13	2	172B04-04140	LABEL,SPEC BR 50	1							
14	2	172B02-04410	LABEL,WINDOW PT	1							
15	2	172B02-04420	LABEL,WARNING A/C PT	1							
16	2	172B02-04430	LABEL,ADJUST CRAWLER	1							1
17	2	172B05-04441	LABEL,OIL/WATER PT	1							
18	2	172B05-04450	LABEL,GREASING PT	1							
19	2	172B02-04500	LABEL,SUPPORT PT	1							
20	2	172B02-04550	PLATE ASSY,WARNING P	1							
23	2	172B02-04570	LABEL,MANUAL PT	1							
24	2	172B02-04580	LABEL,SLOPE PT	1							
25	2	172B02-04610	LABEL,TRANSPORT PT	1							
26	2	172B02-04630	LABEL,NEUTRAL PT	1							
27	2	172B02-04700	LABEL,SEAT TILT UP P	1							
28	2	172B02-04710	LABEL,STERRING PT	1							
29	2	172B02-04730	LABEL,SEAT BELT PT	1							
30	2	172B02-04820	LABEL,LEVER LOCK PT	1							
31	2	172B02-04880	LABEL,ROPS PT	1							
32	2	172B02-04890	LABEL,PTO PT	1							
33	2	172B02-04950	LABEL,2 WAY PT	1							
34	2	172B02-04970	LABEL,F/W LOWER PT	1							

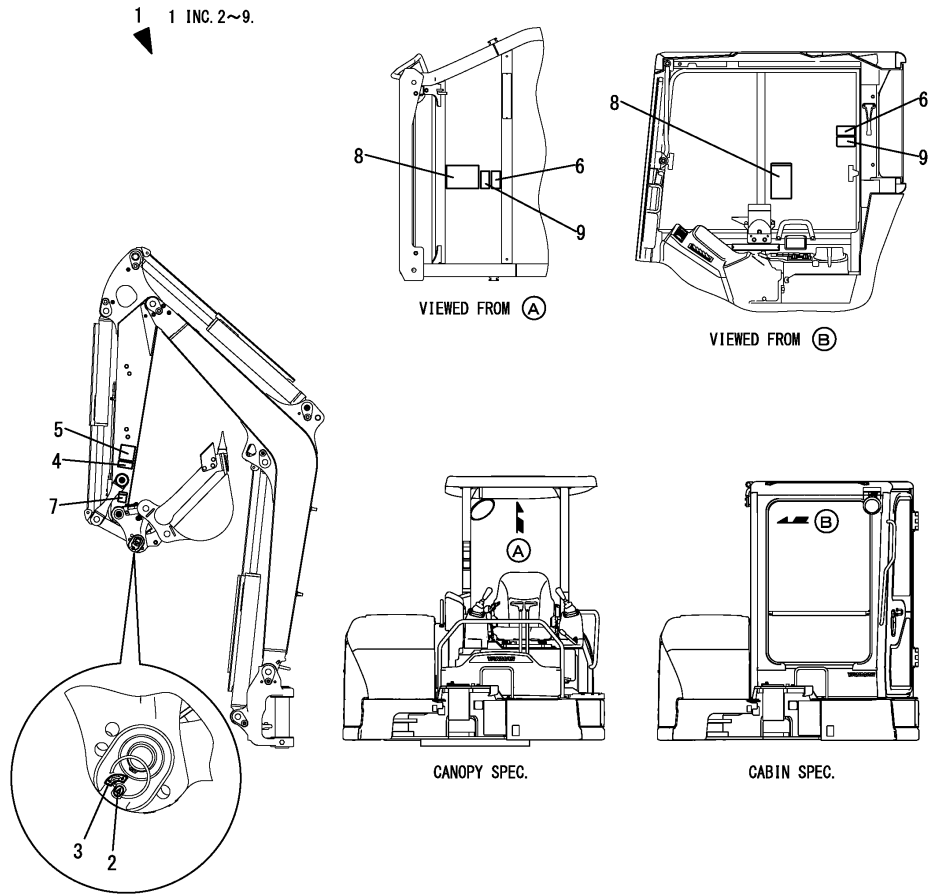


Remarks
 (1)Rubber crawler specification.

Fig.5. LABEL(QUICK COUPLER)

(A)=VIO50-6B P(BR)
(B)=VIO50-6B C(BR)
(C)=

(D)=
(E)=
(F)=



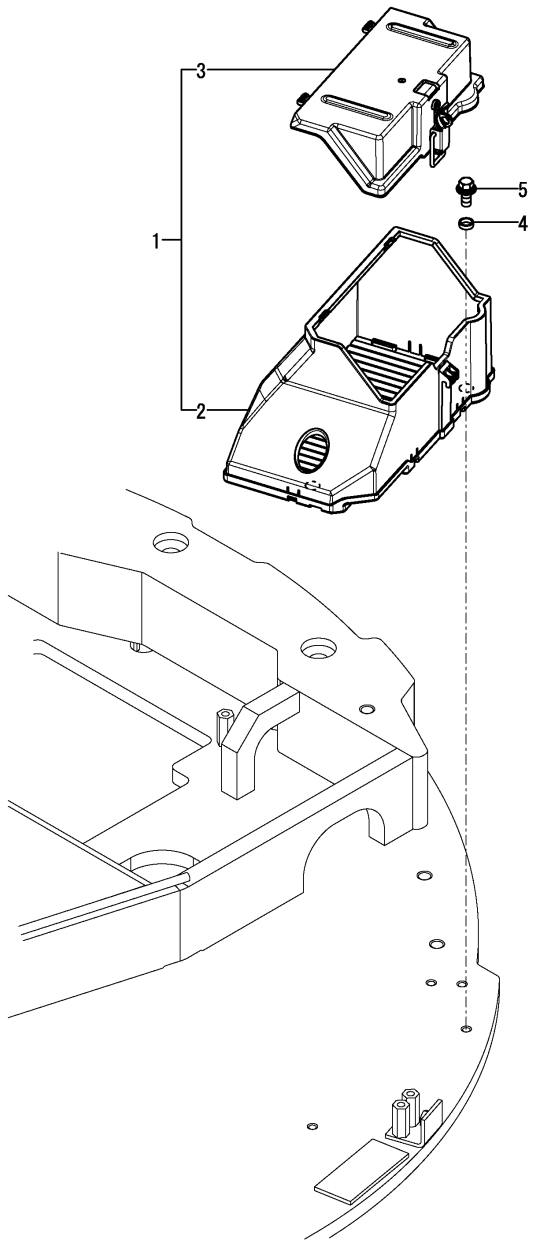
No.	Lev.	Parts No.	Description	Q'ty						I	R
				(A)	(B)	(C)	(D)	(E)	(F)		
1	1	172B03-09650	LABEL SET,Q BR	1	1						
2	2	172958-03160	LABEL	1	1						
3	2	172458-03240	LABEL, LOCK	1	1						
4	2	172B02-04870	LABEL,LOCK PIN PT	1	1						
5	2	172B02-04900	LABEL,OPERATE PIN PT	1	1						
6	2	172B02-04910	LABEL,PIN PT	1	1						
7	2	172B02-04920	LABEL,FINGER PT	1	1						
8	2	172B02-04930	LABEL,WARNING HITCH	1	1						
9	2	172B02-04940	LABEL,SAND PT	1	1						

SAFETY LABEL

Fig.6. TOOL BOX

(A)=VIO50-6B P(BR)
 (B)=VIO50-6B C(BR)
 (C)=

(D)=
 (E)=
 (F)=



No.	Lev.	Parts No.	Description	Q'ty						I	R
				(A)	(B)	(C)	(D)	(E)	(F)		
1	1	172B03-05400	TOOLBOX ASSY	1	1						
2	2	172B03-05500	TOOLBOX ASSY,FRAME	1	1						
3	2	172B03-05600	TOOLBOX ASSY,COVER	1	1						
4	1	172A47-65550	COLLAR	2	2						
5	1	26014-100252	BOLT, M10X 25	2	2						

Fig.7. MUFFLER

(A)=VIO50-6B P(BR)
 (B)=VIO50-6B C(BR)
 (C)=

(D)=
 (E)=
 (F)=

No.	Lev.	Parts No.	Description	Q'ty						I	R
				(A)	(B)	(C)	(D)	(E)	(F)		
1	1	172B04-11050	CLAMP ASSY,EX PIPE	1	1						
7	1	172B04-11350	PIPE ASSY, EXHAUST	1	1						
8	1	172B04-11382	BRACKET ASSY,EXHAUST	1	1						
9	1	26014-080202	BOLT, M8X 20	3	3						

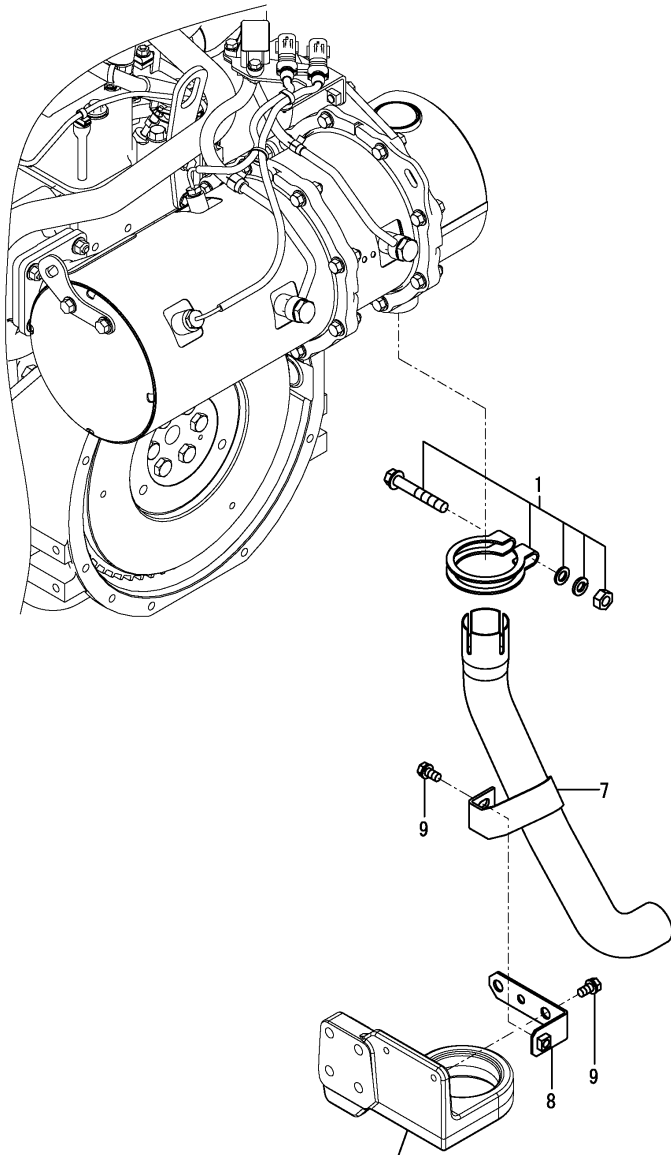
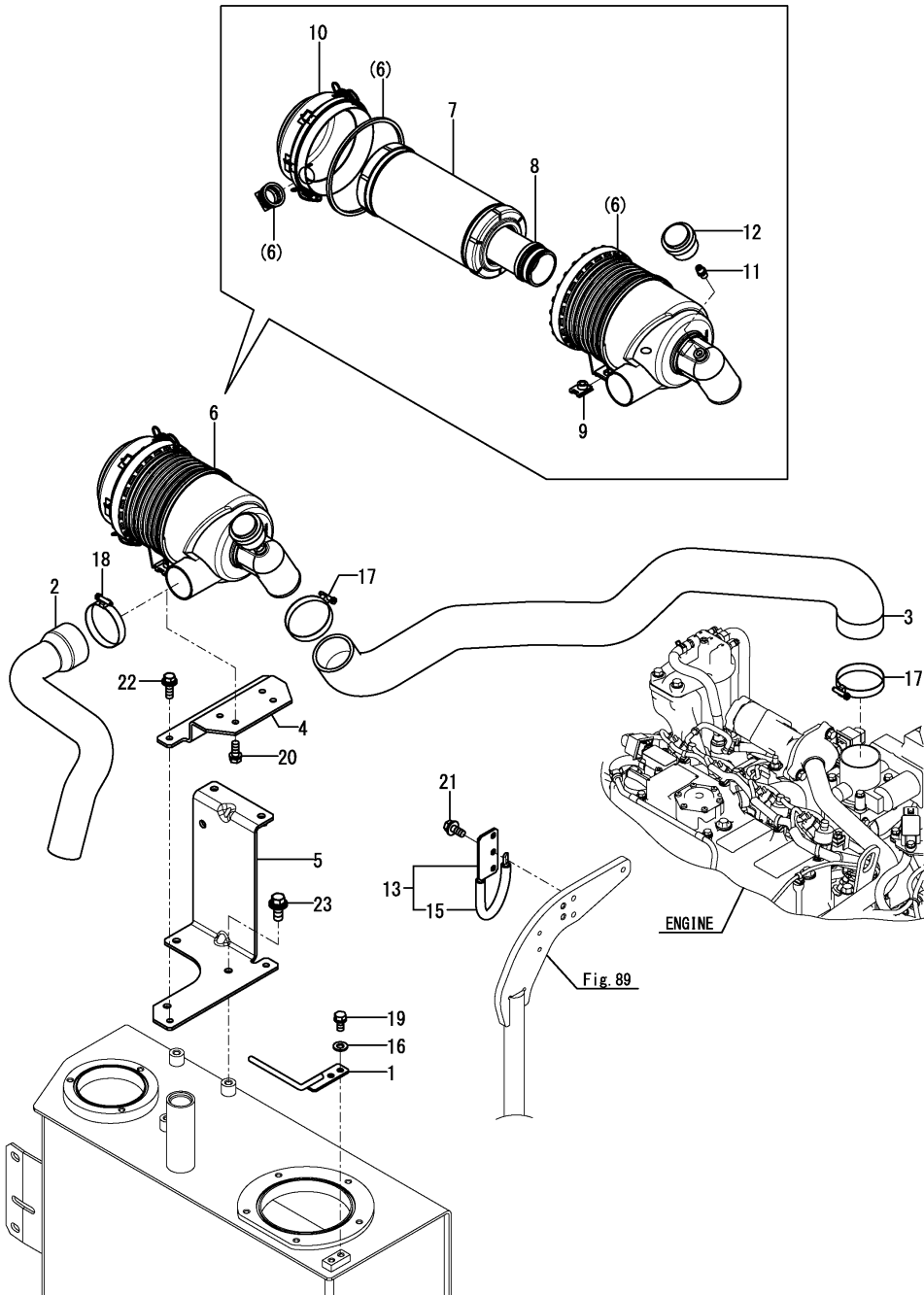


Fig. 11, 12

Fig.8. AIR CLEANER

(A)=VIO50-6B P(BR)
 (B)=VIO50-6B C(BR)
 (C)=

(D)=
 (E)=
 (F)=

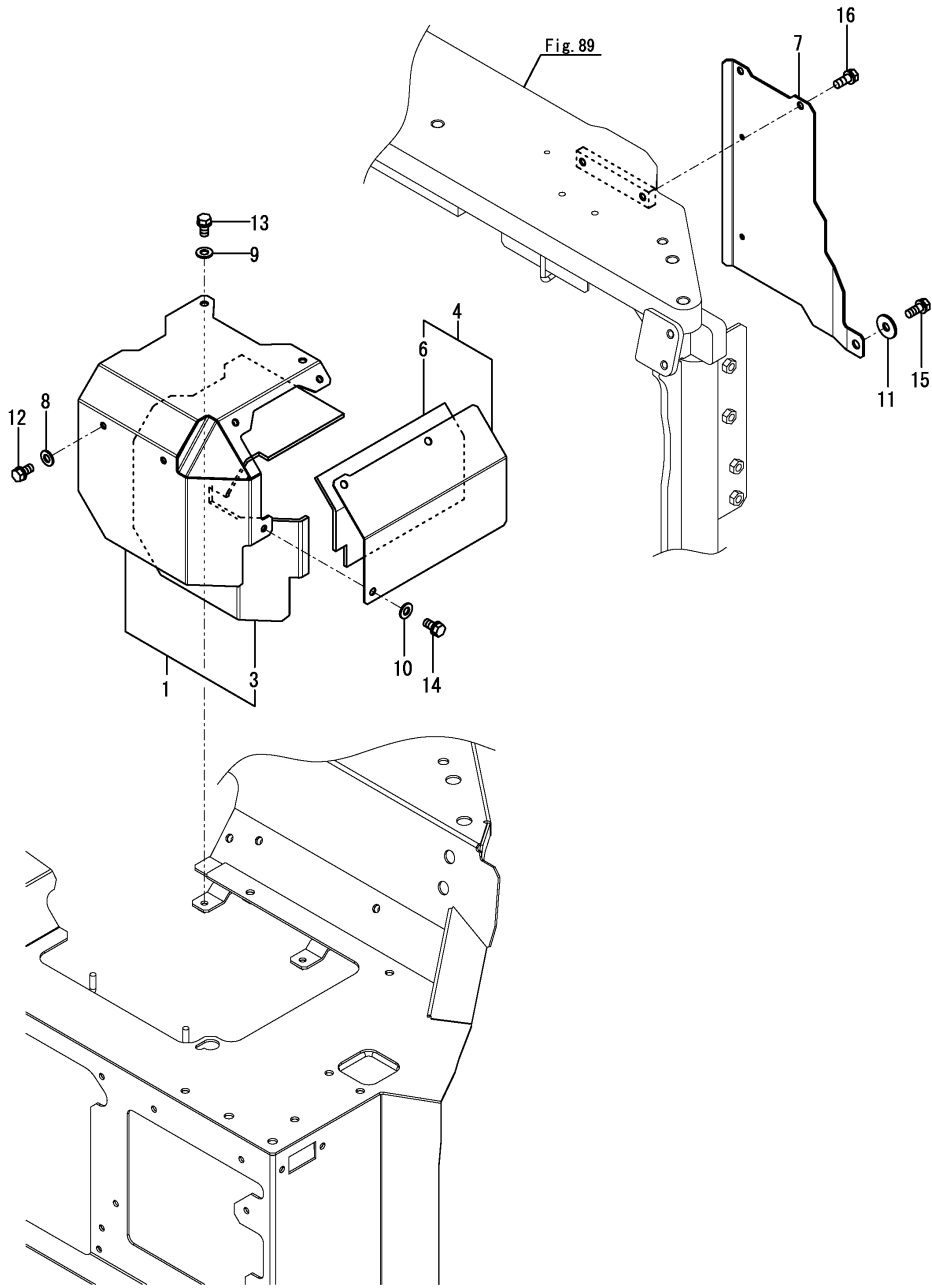


No.	Lev.	Parts No.	Description	Q'ty						I	R
				(A)	(B)	(C)	(D)	(E)	(F)		
1	1	172B04-11450	GUIDE ASSY, HOSE B	1	1						
2	1	172B04-11520	HOSE, AIR CLEANER B	1	1						
3	1	172B04-11530	HOSE, AIR CLEANER A	1	1						
4	1	172B04-11561	BRACKET, AIR CLEANER	1	1						
5	1	172B04-11580	BRACKET ASSY, A/C B	1	1						
6	1	172B04-11800	CLEANER ASSY, AIR	1	1						
7	2	1A8240-05110	ELEMENT ASSY, OUTER	1	1						
8	2	1A8240-05120	ELEMENT ASSY, INNER	1	1						
9	2	172B03-11571	NUT, AIR CLEANER	2	2						
10	2	172B04-11570	COVER ASSY, AIRCLEANE	1	1						
11	2	172B03-11820	PLUG	1	1						
12	2	172B03-11830	INDICATOR, AIR CLEAN	1	1						
13	1	172B04-11901	GUIDE ASSY, HOSE A	1	1						
15	2	172B04-11940	HOSE, 9X190	1	1						
16	1	22137-080000	WASHER, 8	2	2						
17	1	23000-070000	CLAMP, 70	2	2						
18	1	23000-070000	CLAMP, 70	1	1						
19	1	26013-080162	BOLT, M8X 16	2	2						
20	1	26013-080202	BOLT, M8X 20	2	2						
21	1	26014-080202	BOLT, M8X 20	2	2						
22	1	26014-080252	BOLT, M8X 25	2	2						
23	1	26014-100252	BOLT, M10X 25	3	3						

Fig.9. MUFFLER COVER

(A)=VIO50-6B P(BR)
 (B)=VIO50-6B C(BR)
 (C)=

(D)=
 (E)=
 (F)=

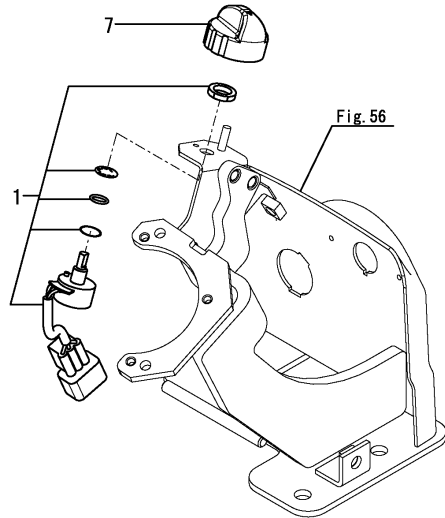


No.	Lev.	Parts No.	Description	Q'ty						I	R
				(A)	(B)	(C)	(D)	(E)	(F)		
1	1	172B04-11601	COVER ASSY,MUFFLER A	1	1						
3	2	172B04-11651	SHEET,INSULATION A	1	1						
4	1	172B04-11660	COVER ASSY,MUFFLER B	1	1						
6	2	172B04-11680	SHEET,INSULATION B	1	1						
7	1	172B04-11710	COVER MUFFLER C	1	1						
8	1	22137-080000	WASHER, 8	2	2						
9	1	22137-080000	WASHER, 8	2	2						
10	1	22137-080000	WASHER, 8	3	3						
11	1	22157-080000	WASHER, 8	1	1						
12	1	26013-080162	BOLT, M8X 16	2	2						
13	1	26013-080162	BOLT, M8X 16	2	2						
14	1	26013-080162	BOLT, M8X 16	3	3						
15	1	26013-080202	BOLT, M8X 20	1	1						
16	1	26013-080202	BOLT, M8X 20	2	2						

Fig.10. ACCELERATOR

(A)=VIO50-6B P(BR)
 (B)=VIO50-6B C(BR)
 (C)=

(D)=
 (E)=
 (F)=

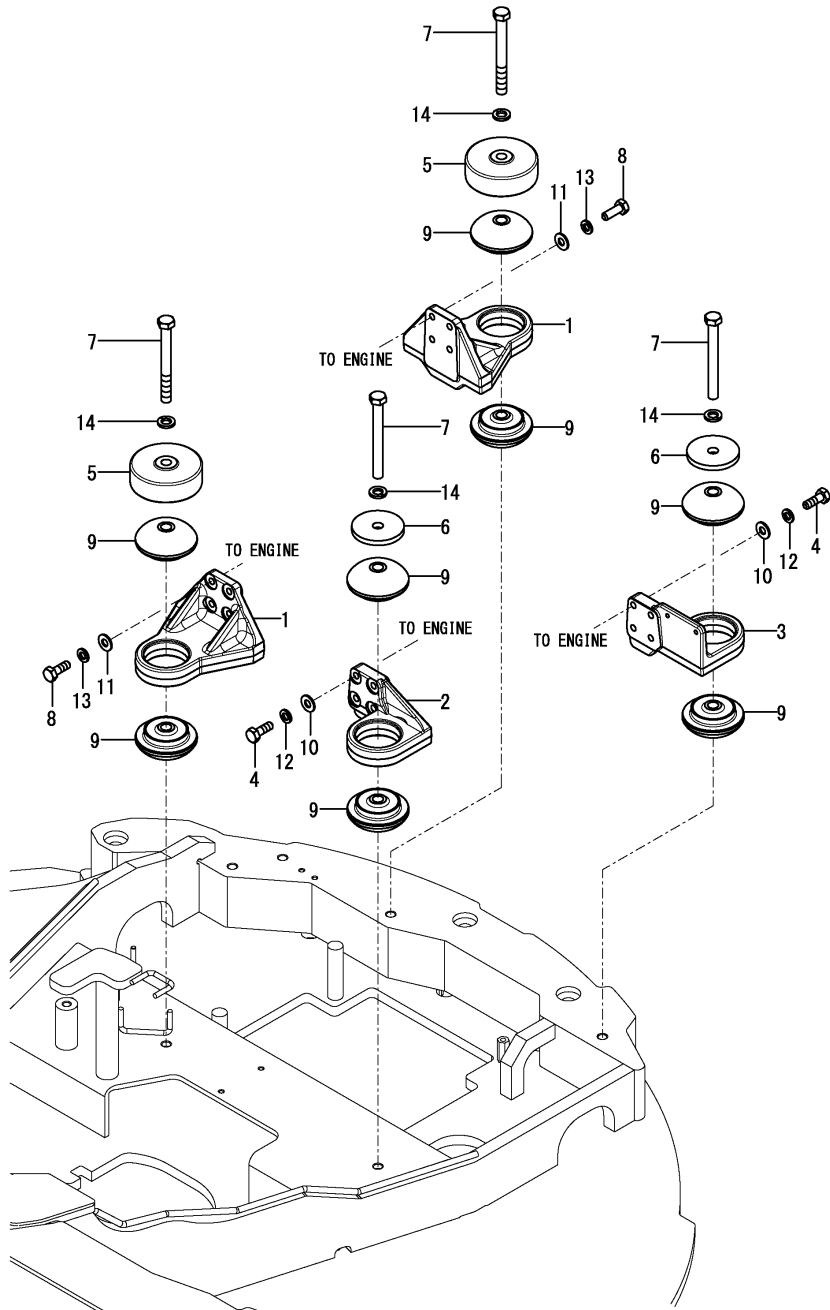


No.	Lev.	Parts No.	Description	Q'ty						I	R
				(A)	(B)	(C)	(D)	(E)	(F)		
1	1	172A69-12100	VOLUME, ACCEL ASSY	1	1						
7	1	172A69-12120	KNOB ASSY	1	1						

Fig.11. ENGINE MOUNT

(A)=VIO50-6B P(BR)
 (B)=VIO50-6B C(BR)
 (C)=

(D)=
 (E)=
 (F)=

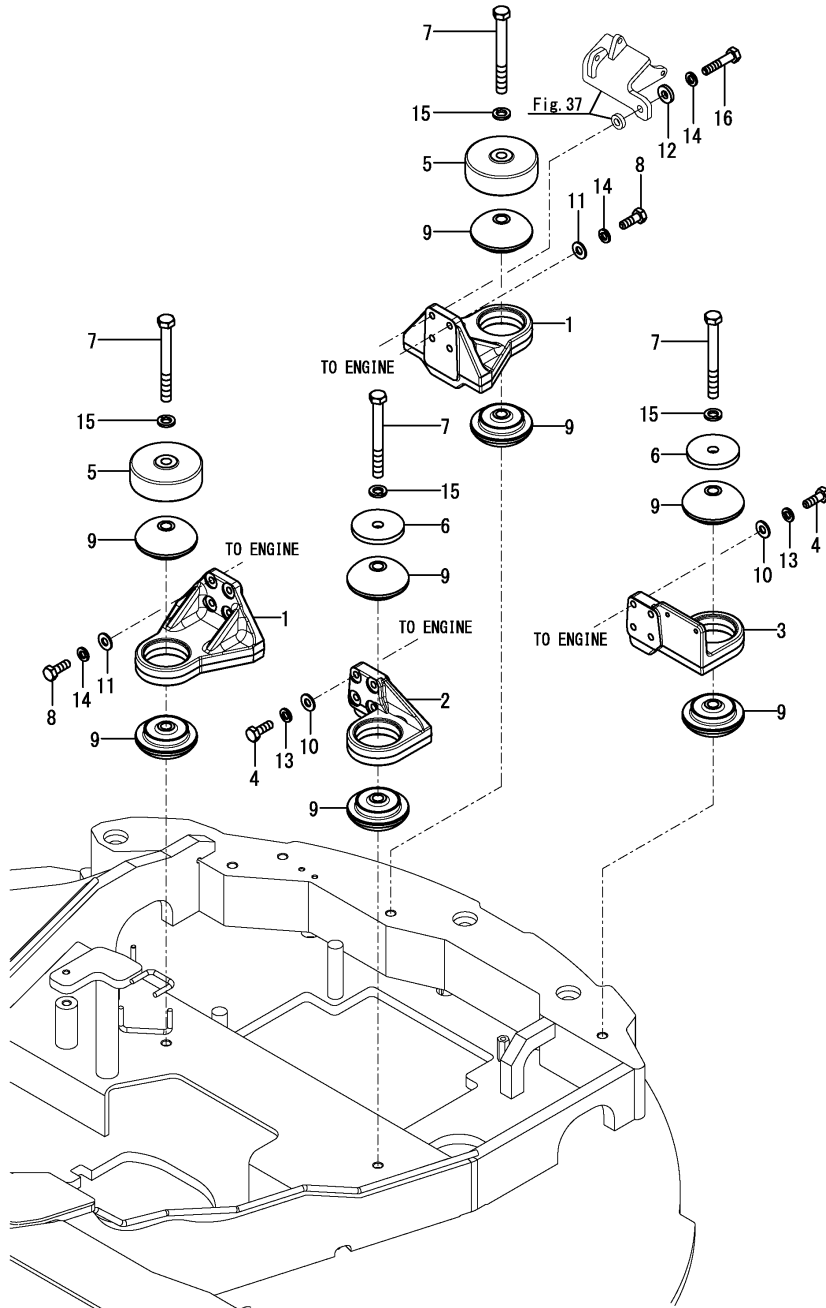


No.	Lev.	Parts No.	Description	Q'ty						I	R
				(A)	(B)	(C)	(D)	(E)	(F)		
1	1	172B04-13110	MOUNT, ENGINE RR	2							
2	1	172B04-13120	MOUNT, ENGINE LF	1							
3	1	172B04-13130	MOUNT, ENGINE LR	1							
4	1	172461-13140	BOLT	8							
5	1	172A69-13150	STOPPER	2							
6	1	172162-13170	WASHER	2							
7	1	172162-13190	BOLT, 16X150	4							
8	1	172162-13200	BOLT	8							
9	1	172165-13270	MOUNT, ENGINE	8							
10	1	172137-46042	SEAT, SPRING	8							
11	1	172137-46042	SEAT, SPRING	8							
12	1	22217-100000	WASHER, SPRING 10	8							
13	1	22217-100000	WASHER, SPRING 10	8							
14	1	22217-160000	WASHER, SPRING 16	4							

Fig.12. ENGINE MOUNT(AIR CONDITIONER SPEC.)

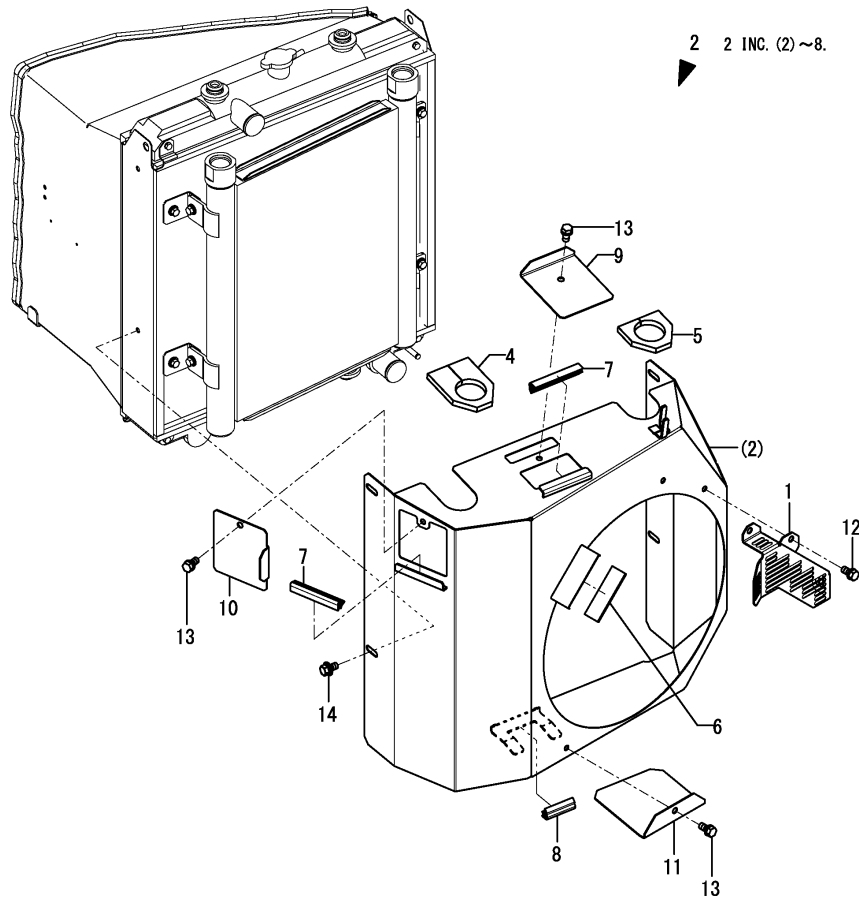
(A)=VIO50-6B P(BR)
 (B)=VIO50-6B C(BR)
 (C)=

(D)=
 (E)=
 (F)=



No.	Lev.	Parts No.	Description	Q'ty						I	R
				(A)	(B)	(C)	(D)	(E)	(F)		
1	1	172B04-13110	MOUNT, ENGINE RR		2						
2	1	172B04-13120	MOUNT, ENGINE LF		1						
3	1	172B04-13130	MOUNT, ENGINE LR		1						
4	1	172461-13140	BOLT		8						
5	1	172A69-13150	STOPPER		2						
6	1	172162-13170	WASHER		2						
7	1	172162-13190	BOLT, 16X150		4						
8	1	172162-13200	BOLT		7						
9	1	172165-13270	MOUNT, ENGINE		8						
10	1	172137-46042	SEAT, SPRING		8						
11	1	172137-46042	SEAT, SPRING		7						
12	1	172A79-72570	WASHER		1						
13	1	22217-100000	WASHER, SPRING 10		8						
14	1	22217-100000	WASHER, SPRING 10		8						
15	1	22217-160000	WASHER, SPRING 16		4						
16	1	26076-100502	BOLT, 10.910X 50		1						

Fig.13. RADIATOR SHROUD

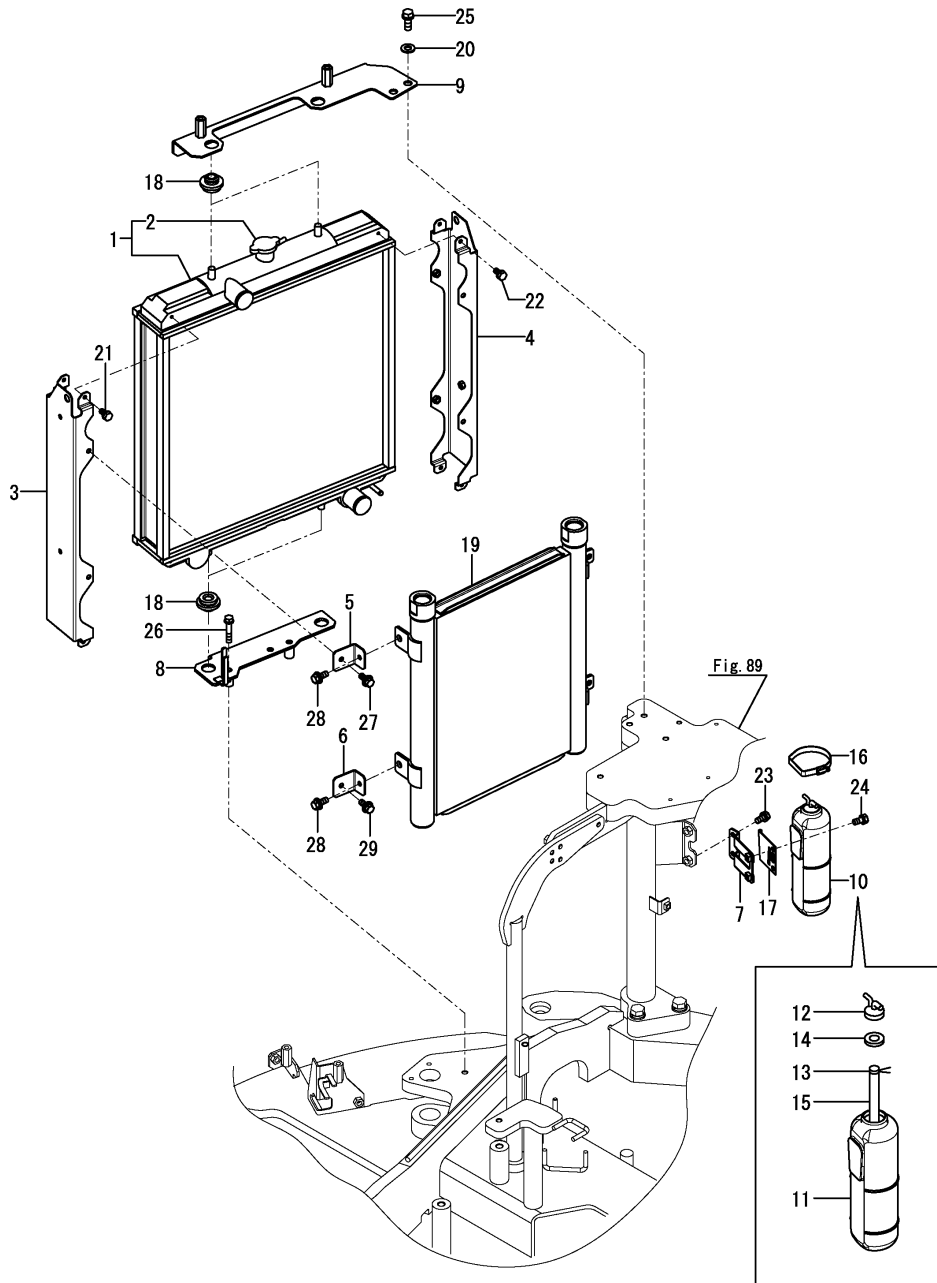


(A)=VIO50-6B P(BR)
 (B)=VIO50-6B C(BR)
 (C)=

(D)=
 (E)=
 (F)=

No.	Lev.	Parts No.	Description	Q'ty						I	R
				(A)	(B)	(C)	(D)	(E)	(F)		
1	1	172B04-13480	GUARD,FAN	1	1						
2	1	172B04-13500	SHROUD ASSY	1	1						
4	2	172A89-13550	SPONGE	1	1						
5	2	172A89-13560	SPONGE	1	1						
6	2	172447-14330	RUBBER PLATE-B,FUEL	1	1						
7	2	172456-61480	RUBBER, SEAL 95	2	2						
8	2	172458-61510	RUBBER, SEAL	1	1						
9	1	172B04-13900	COVER, A SHROUD	1	1						
10	1	172B04-13910	COVER, B SHROUD	1	1						
11	1	172B04-13920	COVER, C SHROUD	1	1						
12	1	26013-080162	BOLT, M8X 16	2	2						
13	1	26013-080162	BOLT, M8X 16	3	3						
14	1	26014-080162	BOLT, M8X 16	4	4						

Fig.14. RADIATOR & SUB TANK

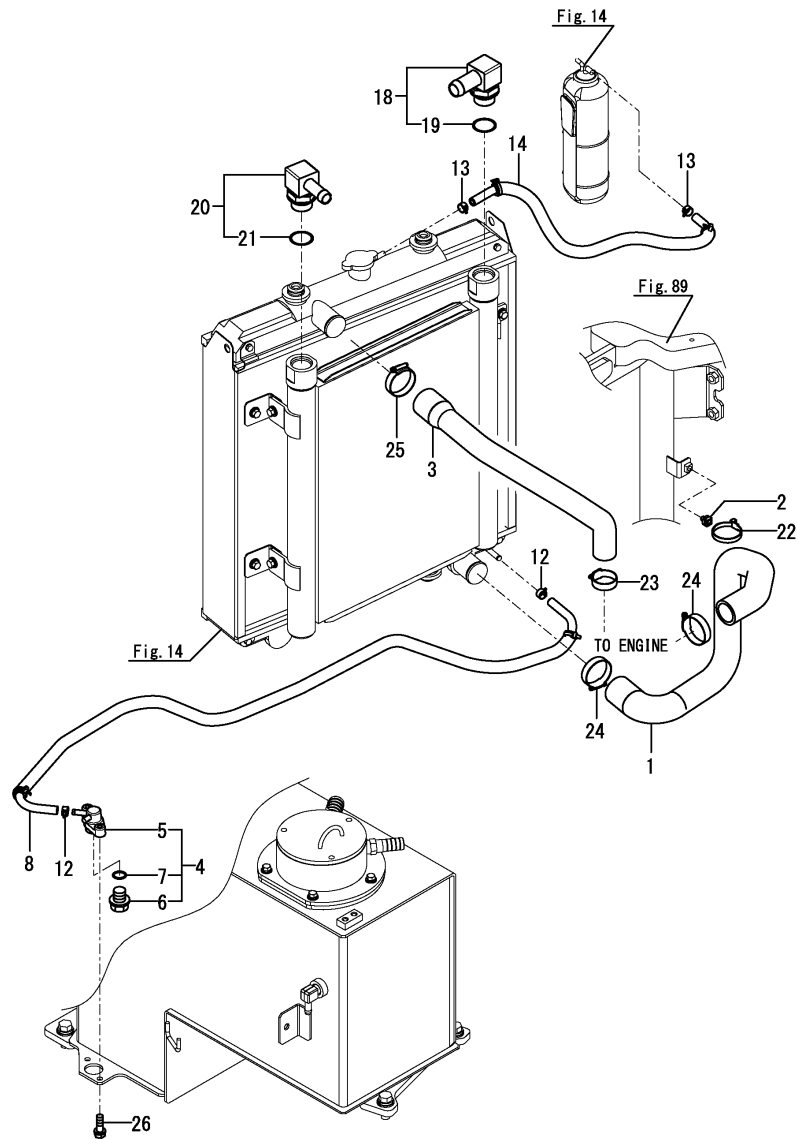


(A)=VIO50-6B P(BR)
 (B)=VIO50-6B C(BR)
 (C)=

(D)=
 (E)=
 (F)=

No.	Lev.	Parts No.	Description	Q'ty						I	R
				(A)	(B)	(C)	(D)	(E)	(F)		
1	1	172A89-13310	RADIATOR ASSY, SUB	1	1						
2	2	129107-44590	CAP, RADIATOR	1	1						
3	1	172B04-13330	SUPPORT ASSY, RAD.	1	1						
4	1	172B04-13330	SUPPORT ASSY, RAD.	1	1						
5	1	172B04-13350	BRACKET ASSY, OC	1	1						
6	1	172B04-13350	BRACKET ASSY, OC	1	1						
7	1	172B04-13380	BRACKET ASSY, S TANK	1	1						
8	1	172B04-13410	BRACKET ASSY, L	1	1						
9	1	172B04-13450	BRACKET ASSY, U RAD	1	1						
10	1	171064-44510	TANK ASSY, SUB	1	1						
11	2	171064-44520	BODY, SUB-TANK	1	1						
12	2	121450-44531	CAP	1	1						
13	2	124450-44560	CLAMP, HOSE	1	1						
14	2	121470-44581	GASKET	1	1						
15	2	23065-070225	HOSE 7X 225	1	1						
16	1	124450-44550	BAND, SUB-TANK	1	1						
17	1	121256-44600	BRACKET, SUB TANK	1	1						
18	1	184015-44680	CUSHION, RADIATOR	4	4						
19	1	172B04-74800	COOLER ASSY, OIL	1	1						
20	1	22137-100000	WASHER, 10	2	2						
21	1	26013-060122	BOLT, M6X 12	4	4						
22	1	26013-060122	BOLT, M6X 12	4	4						
23	1	26013-080162	BOLT, M8X 16	2	2						
24	1	26013-080162	BOLT, M8X 16	2	2						
25	1	26013-100252	BOLT, M10X 25	2	2						
26	1	26013-100502	BOLT, M10X 50	2	2						
27	1	26014-080202	BOLT, M8X 20	1	1						
28	1	26014-080202	BOLT, M8X 20	4	4						
29	1	26014-080202	BOLT, M8X 20	1	1						

Fig.15. RADIATOR HOSE

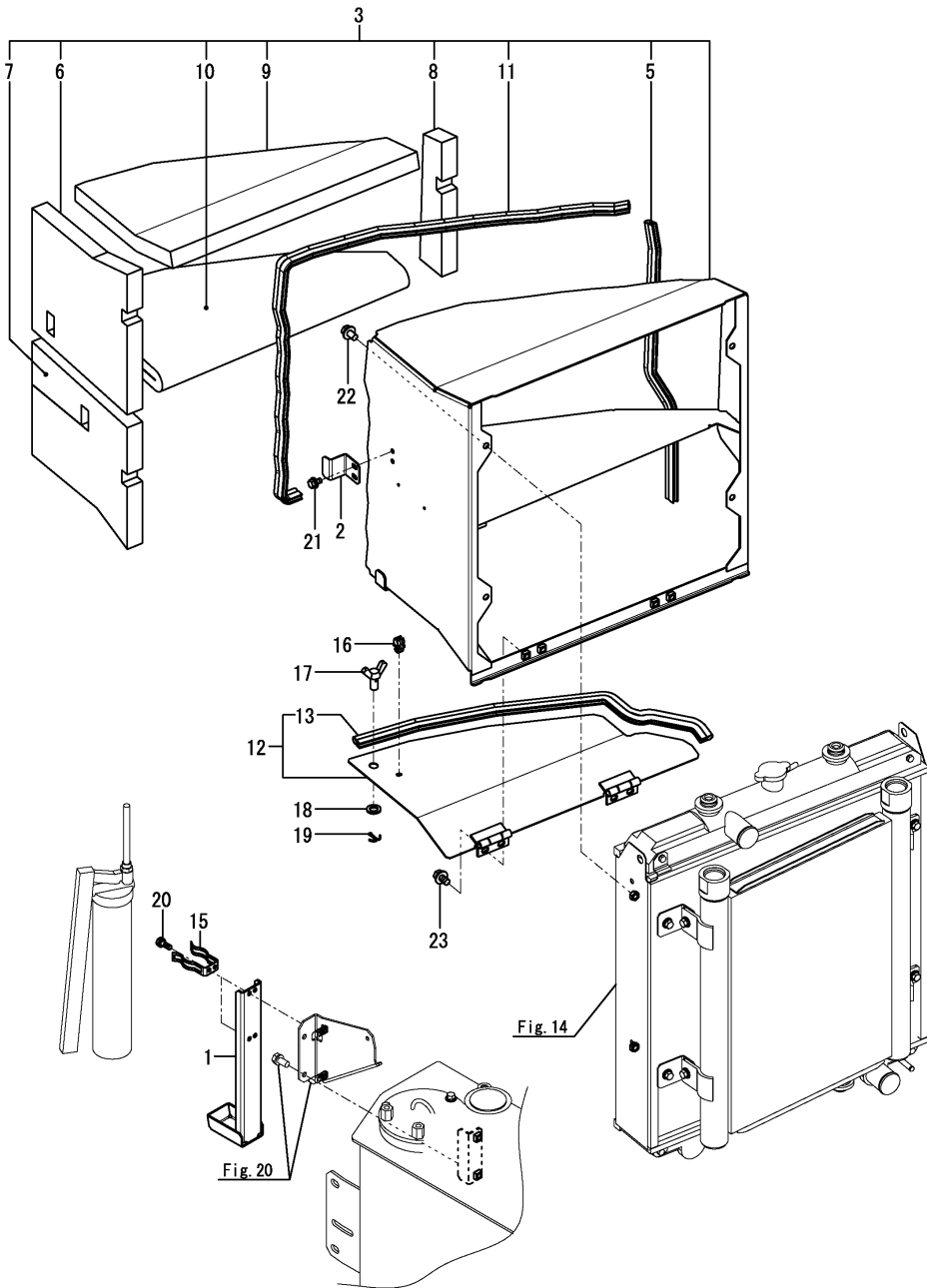


(A)=VIO50-6B P(BR)
 (B)=VIO50-6B C(BR)
 (C)=

(D)=
 (E)=
 (F)=

No.	Lev.	Parts No.	Description	Q'ty						I	R
				(A)	(B)	(C)	(D)	(E)	(F)		
1	1	172B04-13020	HOSE, CW-T A	1	1						
2	1	172B04-13040	CLIP, TREE	1	1						
3	1	172B04-13050	HOSE, CW-T B	1	1						
4	1	172444-13210	COCK ASSY, 2WAY	1	1						
5	2	172444-13220	BODY	1	1						
6	2	121250-49121	PLUG, DRAIN M14	1	1						
7	2	24311-000160	O-RING, 1AP16.0	1	1						
8	1	172A47-14220	HOSE ASSY,FO 1360	1	1						
12	1	124766-59050	CLAMP, HOSE 11.5	2	2						
13	1	124766-59050	CLAMP, HOSE 11.5	2	2						
14	1	184014-59450	PIPE ASSY, FUEL	1	1						
18	1	172B04-76780	ELBOW, 90 G1-25	1	1						
19	2	172A65-76790	O-RING	1	1						
20	1	172B04-76900	ELBOW, 90 G1-19	1	1						
21	2	172A65-76790	O-RING	1	1						
22	1	172122-79930	CLAMP, HOSE	1	1						
23	1	23001-041000	CLAMP, HOSE 41	1	1						
24	1	23001-048000	CLAMP, HOSE 48	2	2						
25	1	23001-048000	CLAMP, HOSE 48	1	1						
26	1	26013-080252	BOLT, M8X 25	2	2						

Fig.16. DUCT



(A)=VIO50-6B P(BR)
 (B)=VIO50-6B C(BR)
 (C)=

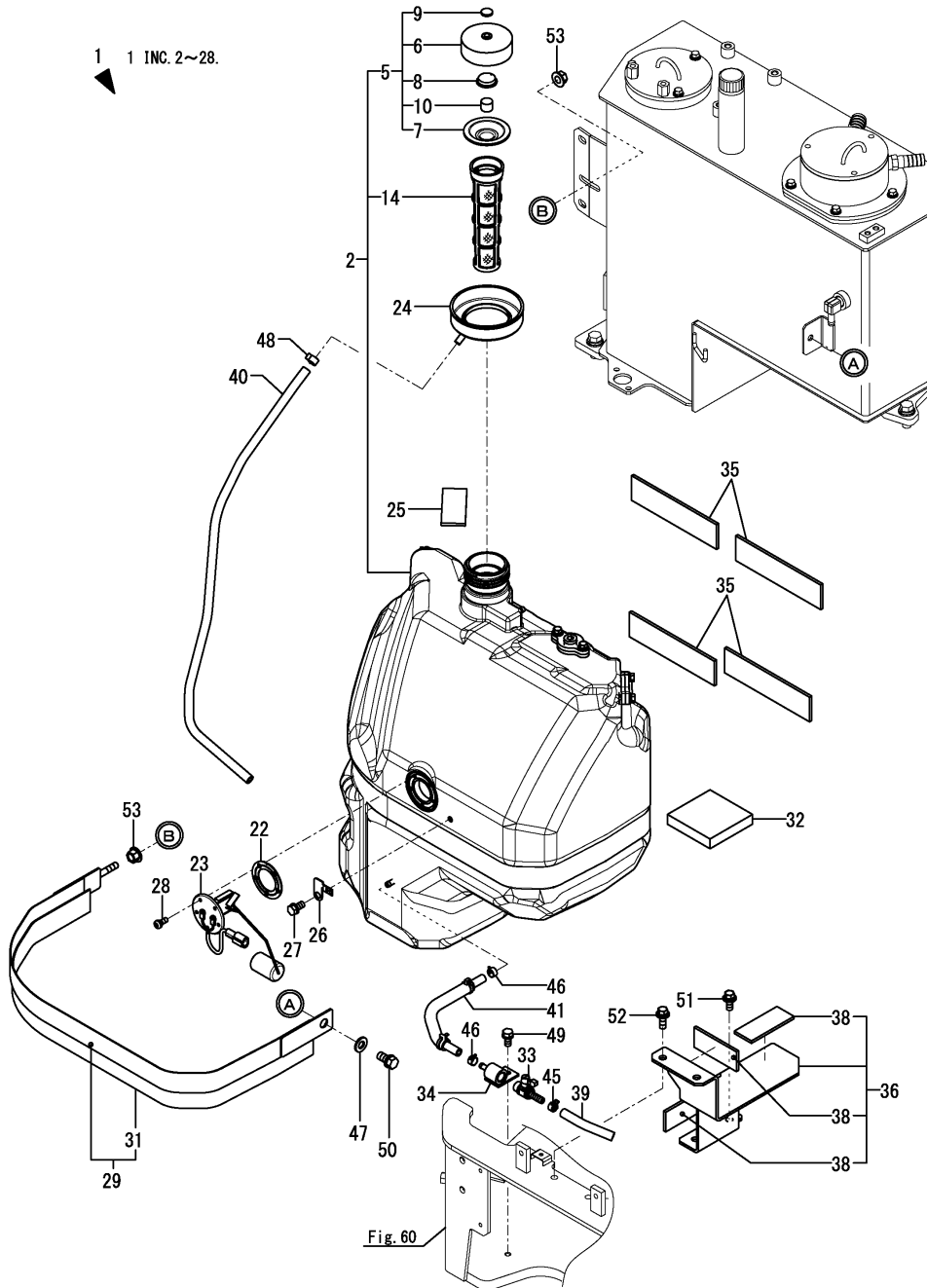
(D)=
 (E)=
 (F)=

No.	Lev.	Parts No.	Description	Q'ty						I	R
				(A)	(B)	(C)	(D)	(E)	(F)		
1	1	172B04-05200	HOLDER ASSY, GREASE	1	1						
2	1	172B04-05260	PLATE, GREASE GUN	1	1						
3	1	172B04-13601	DUCT ASSY, RADIATOR	1	1						
5	2	172A69-13690	SEAL	1	1						
6	2	172B04-13720	SPONGE, A DUCT	1	1						
7	2	172B04-13730	SPONGE, B DUCT	1	1						
8	2	172B04-13740	SPONGE, C DUCT	1	1						
9	2	172B04-13750	SPONGE, D DUCT	1	1						
10	2	172B04-13760	SPONGE, E DUCT	1	1						
11	2	172B04-13780	SEAL, 1095	1	1						
12	1	172B04-13800	COVER ASSY, DUCT	1	1						
13	2	172A69-13680	SEAL	1	1						
15	1	172122-55061	BRACKET, PUMP	2	2						
16	1	1A7400-61250	HOLDER, ROD 8	1	1						
17	1	172142-62301	BOLT, WING	1	1						
18	1	22117-100000	WASHER, 10	1	1						
19	1	22417-250200	PIN, COTTER 2.5X20	1	1						
20	1	26013-060162	BOLT, M6X 16	4	4						
21	1	26014-060122	BOLT, M6X 12	2	2						
22	1	26014-080162	BOLT, M8X 16	4	4						
23	1	26014-080162	BOLT, M8X 16	4	4						

Fig.17. FUEL TANK

(A)=VIO50-6B P(BR)
 (B)=VIO50-6B C(BR)
 (C)=

(D)=
 (E)=
 (F)=

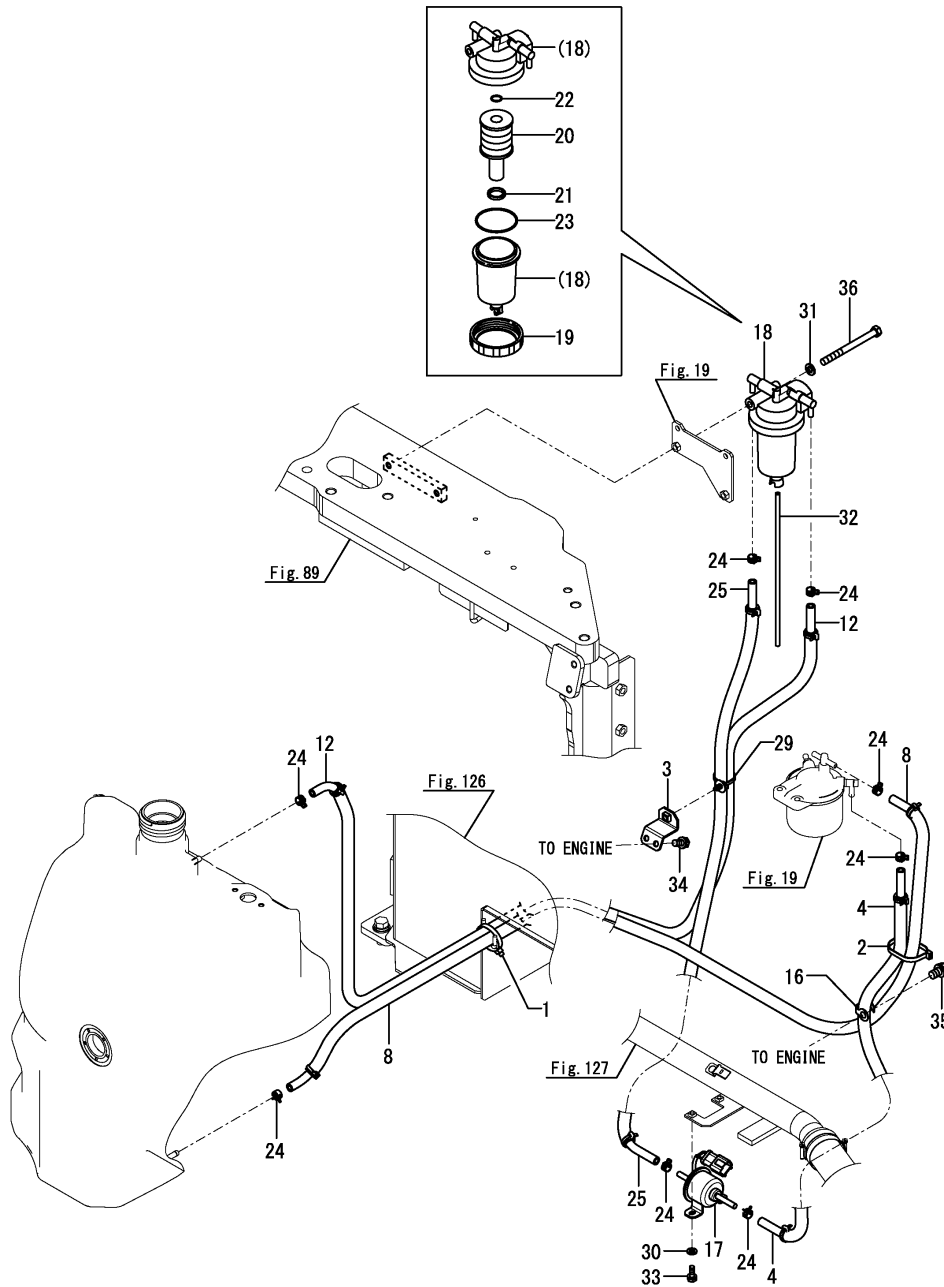


No.	Lev.	Parts No.	Description	Q'ty						I	R
				(A)	(B)	(C)	(D)	(E)	(F)		
1	1	172B04-08390	TANK KIT,FUEL	1	1						
2	2	172B04-14110	TANK ASSY, FUEL OIL	1	1						
5	3	172444-14200	CAP, FUEL	1	1						
6	4	172444-14450	CAP	1	1						
7	4	172444-14460	PACKING, RUBBER	1	1						
8	4	172444-14470	PACKING, RUBBER	1	1						
9	4	172444-14480	WASHER	1	1						
10	4	172444-14490	SPONGE	1	1						
14	3	172B03-14250	STRAINER	1	1						
22	2	172162-14200	GASKET	1	1						
23	2	172B04-14220	GAUGE, FUEL	1	1						
24	2	172458-14370	SUMP, FUEL	1	1						
25	2	172B04-14420	RUBBER,A FO.STAY	1	1						
26	2	172A69-16700	BRACKET	1	1						
27	2	26013-080162	BOLT, M8X 16	1	1						
28	2	26022-050122	SCREW, M5X12	5	5						
29	1	172B04-14150	CLAMP ASSY, FO	1	1						
31	2	172B04-14200	RUBBER, CLAMP	1	1						
32	1	172B04-14210	RUBBER,FO TANK	1	1						
33	1	172A69-14230	VALVE, FUEL DRAIN	1	1						
34	1	172B03-14271	JOINT ASSY, DRAIN	1	1						
35	1	172458-14340	PLATE, RUBBER A	4	4						
36	1	172B04-14400	STAY ASSY,FO STAY	1	1						
38	2	172B04-14420	RUBBER,A FO.STAY	3	3						
39	1	172444-14410	HOSE, DRAIN	1	1						
40	1	172A47-14520	HOSE	1	1						
41	1	172B04-14950	HOSE ASSY,240	1	1						
45	1	106990-44660	CLAMP, HOSE 12.5	1	1						
46	1	124766-59050	CLAMP, HOSE 11.5	2	2						
47	1	22137-100000	WASHER, 10	1	1						
48	1	23080-013000	CLAMP, 13	1	1						
49	1	26013-080162	BOLT, M8X 16	1	1						
50	1	26013-100202	BOLT, M10X 20	1	1						
51	1	26014-100252	BOLT, M10X 25	2	2						
52	1	26014-100302	BOLT, M10X 30	2	2						
53	1	26367-100002	NUT, M10	2	2						

Fig.18. FUEL PIPING

(A)=VIO50-6B P(BR)
 (B)=VIO50-6B C(BR)
 (C)=

(D)=
 (E)=
 (F)=



No.	Lev.	Parts No.	Description	Q'ty						I	R
				(A)	(B)	(C)	(D)	(E)	(F)		
1	1	172126-11510	BAND	1	1						
2	1	172126-11510	BAND	1	1						
3	1	172B04-14370	STAY ASSY, FO HOSE	1	1						
4	1	172B03-14610	HOSE ASSY, FO 600	1	1						
8	1	172A69-14640	HOSE ASSY	1	1						
12	1	172B04-14860	HOSE ASSY,FO 2060	1	1						
16	1	172126-16540	CLAMP	1	1						
17	1	129612-52100	PUMP, FUEL FEED	1	1						
18	1	184016-55701	SEPARATOR ASSY	1	1						
19	2	129100-55690	RING, CUP RETAINING	1	1						
20	2	119802-55710	ELEMENT	1	1						
21	2	184016-55710	FLOAT	1	1						
22	2	24311-000160	O-RING, 1AP16.0	1	1						
23	2	24321-000650	O-RING, 1AG65.0	1	1						
24	1	124766-59050	CLAMP, HOSE 11.5	8	8						
25	1	184015-59250	HOSE	1	1						
29	1	1E8915-84120	CLAMP, BAND	1	1						
30	1	22137-060000	WASHER, 6	2	2						
31	1	22217-080000	WASHER, SPRING 8	1	1						
32	1	23061-050300	PIPE, 5X 300	1	1						
33	1	26013-060162	BOLT, M6X 16	2	2						
34	1	26013-080162	BOLT, M8X 16	2	2						
35	1	26013-100162	BOLT, M10X 16	1	1						
36	1	26116-080702	BOLT, M8X 70 PLATED	1	1						

Fig.19. FUEL FILTER

(A)=VIO50-6B P(BR)
 (B)=VIO50-6B C(BR)
 (C)=

(D)=
 (E)=
 (F)=

No.	Lev.	Parts No.	Description	Q'ty						I	R
				(A)	(B)	(C)	(D)	(E)	(F)		
1	1	172B04-14600	BRACKET ASSY, WS	1	1						
2	1	172448-14670	HOSE, FUEL	1	1						
6	1	172B04-14830	HOSE ASSY,FO 320	1	1						
10	1	129004-55612	BRACKET, FILTER	1	1						
12	1	194202-56460	BAND, 200	1	1						
13	1	124766-59050	CLAMP, HOSE 11.5	2	2						
14	1	124766-59050	CLAMP, HOSE 11.5	2	2						
15	1	26013-080162	BOLT, M8X 16	2	2						
16	1	26106-080302	BOLT, M8X 30 PLATED	2	2						
17	1	129907-55810	FILTER, FUEL	1	1						

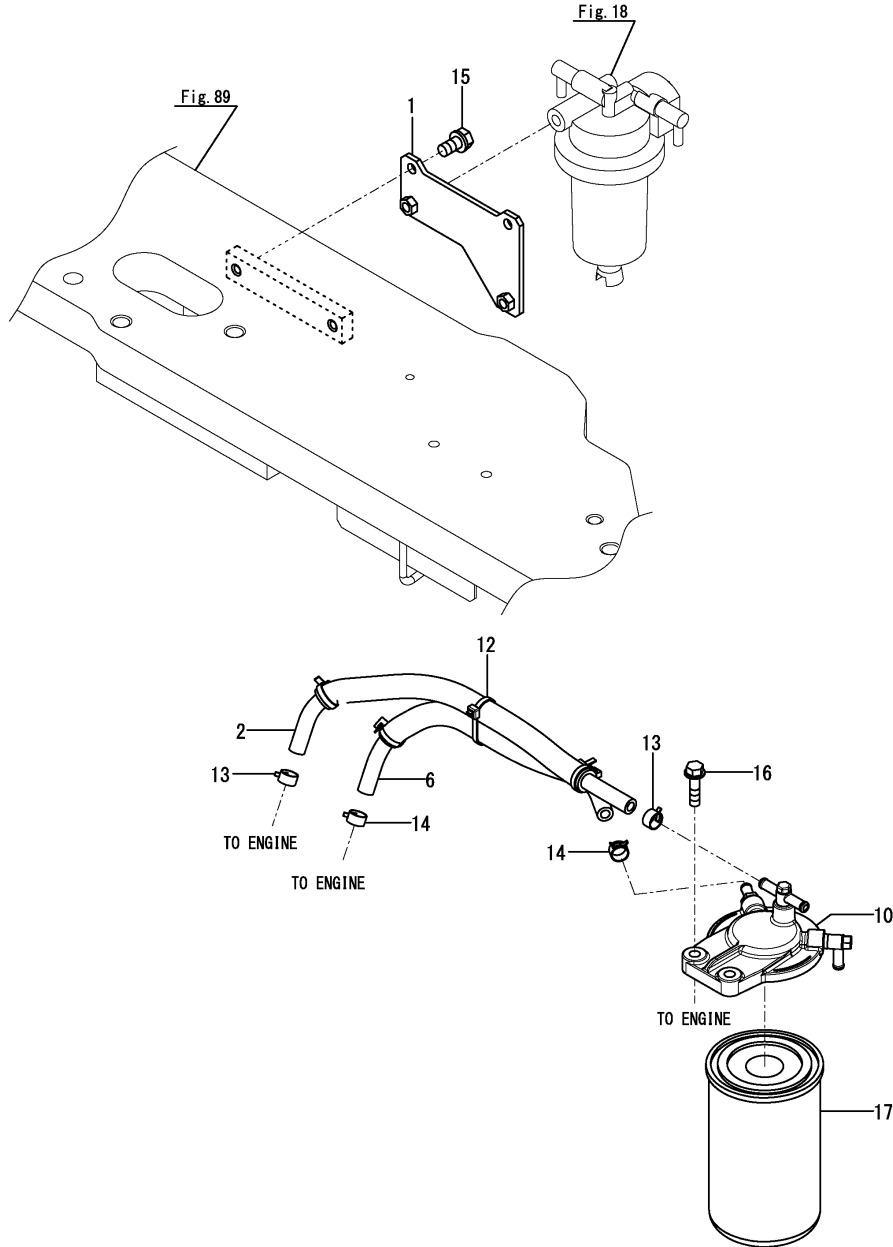
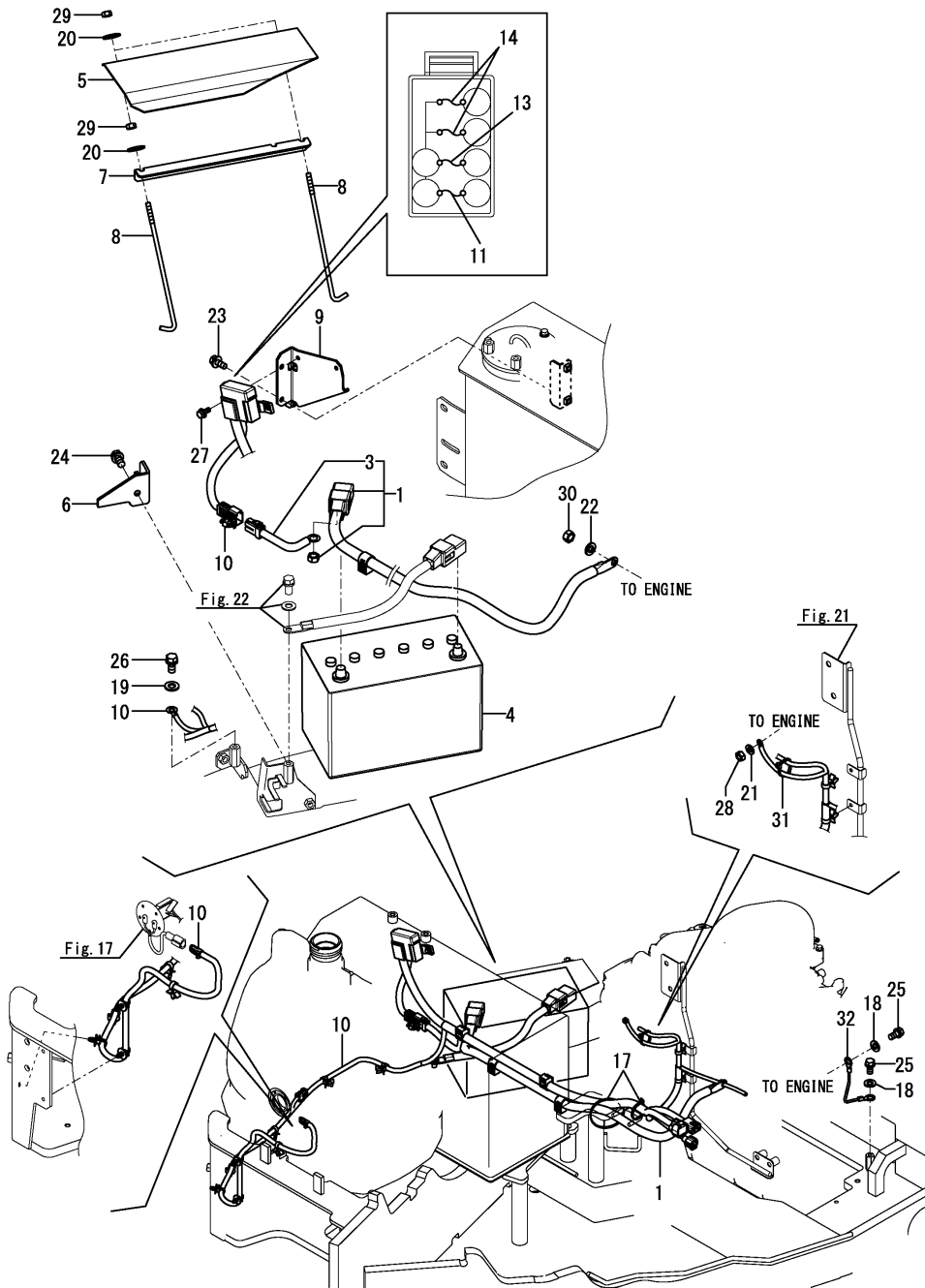


Fig.20. AROUND THE ENGINE



(A)=VIO50-6B P(BR)
 (B)=VIO50-6B C(BR)
 (C)=

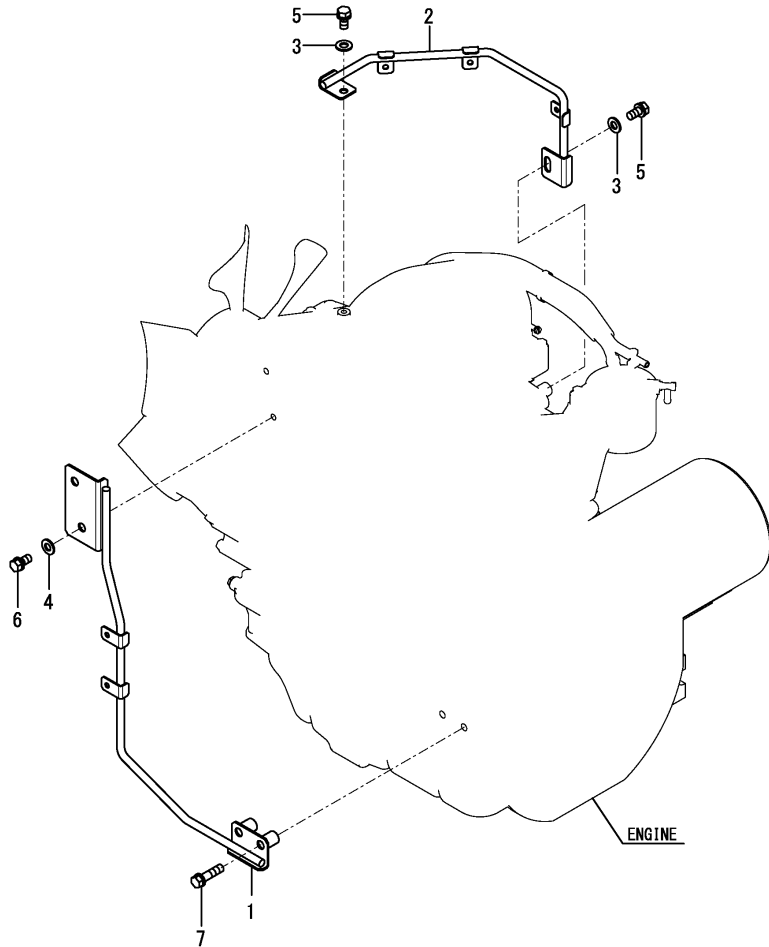
(D)=
 (E)=
 (F)=

No.	Lev.	Parts No.	Description	Q'ty						I	R
				(A)	(B)	(C)	(D)	(E)	(F)		
1	1	172B05-16101	CABLE ASSY,BATTERY +	1	1						
3	2	172B05-16111	HARNESS, BATTERY SLO	1	1						
4	1	172460-16130	BATTERY	1	1						
5	1	172B04-16160	COVER,BATTERY	1	1						
6	1	172B04-16191	BRACKET,BATTERY	1	1						
7	1	172116-16310-3	RETAINER, BATTERY	1	1						
8	1	172164-16370	ROD	2	2						
9	1	172B04-16380	BRACKET ASSY, FUSE	1	1						
10	1	172B04-16501	HARNESS ASSY	1	1						
11	2	1C6900-06180	FUSE, SLOW BLOW 80A	1	1						
13	2	1A7611-52720	FUSE, 100A SLOW BLOW	1	1						
14	2	1A7000-52820	FUSE, SLOW BLOW 60A	2	2						
17	1	194202-56460	BAND, 200	2	2						
18	1	22137-100000	WASHER, 10	2	2						
19	1	22137-100000	WASHER, 10	1	1						
20	1	22157-080000	WASHER, 8	4	4						
21	1	22217-060000	WASHER, SPRING 6	1	1						
22	1	22217-080000	WASHER, SPRING 8	1	1						
23	1	26013-080162	BOLT, M8X 16	2	2						
24	1	26013-100202	BOLT, M10X 20	1	1						
25	1	26013-100202	BOLT, M10X 20	2	2						
26	1	26013-100202	BOLT, M10X 20	1	1						
27	1	26014-060162	BOLT, M6X 16	2	2						
28	1	26716-060002	NUT, M6	1	1						
29	1	26716-080002	NUT, M8	4	4						
30	1	26716-080002	NUT, M8	1	1						
31	1	933168-55770	BAND	1	1						
32	1	933171-15801	CORD, ENGINE EARTH	1	1						

Fig.21. HARNESS SUPPORT

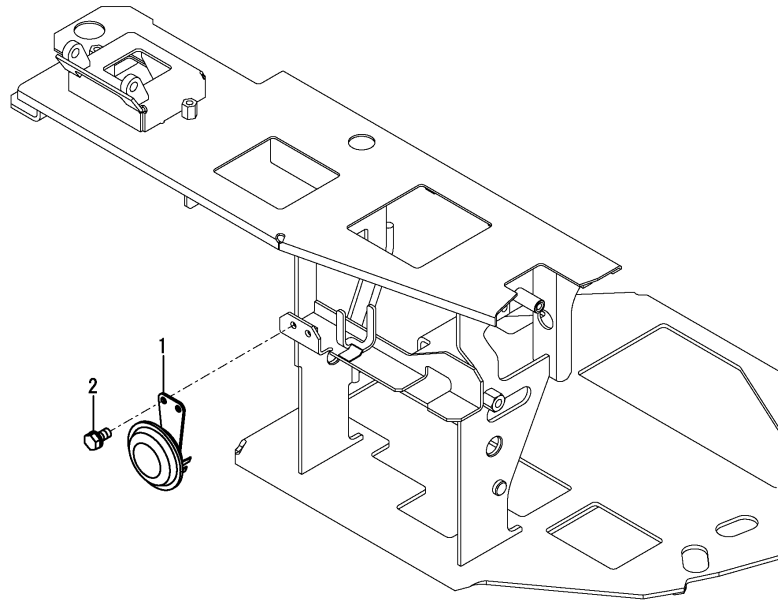
(A)=VIO50-6B P(BR)
 (B)=VIO50-6B C(BR)
 (C)=

(D)=
 (E)=
 (F)=



No.	Lev.	Parts No.	Description	Q'ty						I	R
				(A)	(B)	(C)	(D)	(E)	(F)		
1	1	172B04-16400	SUPPORT ASSY,HARNESS	1	1						
2	1	172B04-17300	STAY ASSY,ENG HAR	1	1						
3	1	22137-080000	WASHER, 8	2	2						
4	1	22137-100000	WASHER, 10	1	1						
5	1	26013-080162	BOLT, M8X 16	2	2						
6	1	26013-100202	BOLT, M10X 20	1	1						
7	1	26013-100402	BOLT, M10X 40	2	2						

Fig.23. HORN



(A)=VIO50-6B P(BR)
 (B)=VIO50-6B C(BR)
 (C)=

(D)=
 (E)=
 (F)=

No.	Lev.	Parts No.	Description	Q'ty						I	R
				(A)	(B)	(C)	(D)	(E)	(F)		
1	1	194151-57100	HORN	1	1						
2	1	26013-060122	BOLT, M6X 12	2	2						

Fig.24. HARNESS GUIDE

(A)=VIO50-6B P(BR)
 (B)=VIO50-6B C(BR)
 (C)=

(D)=
 (E)=
 (F)=

No.	Lev.	Parts No.	Description	Q'ty						I	R
				(A)	(B)	(C)	(D)	(E)	(F)		
1	1	172B03-16950	GUIDE ASSY, HARNESS	1	1						
2	1	26013-100202	BOLT, M10X 20	2	2						
3	1	26013-100252	BOLT, M10X 25	1	1						

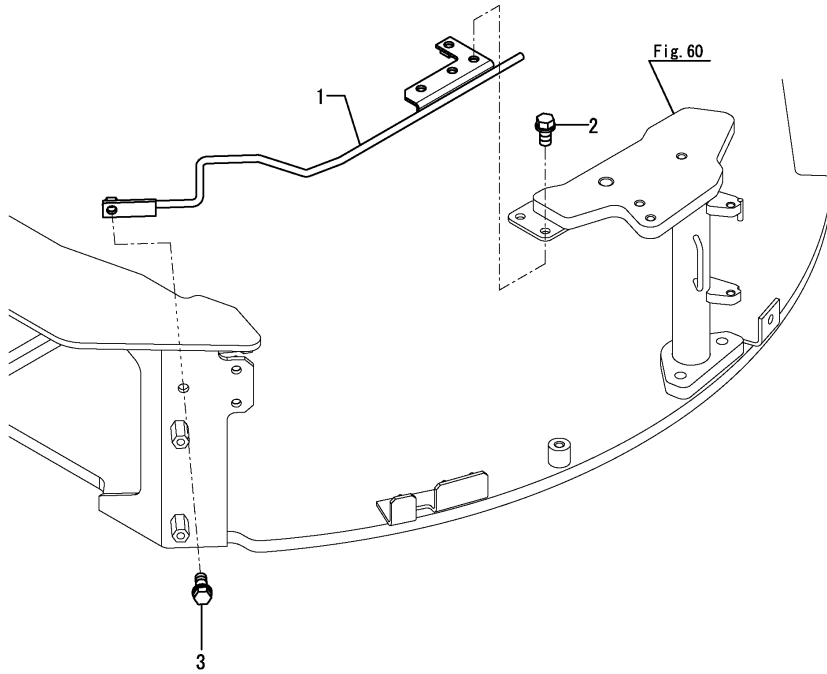
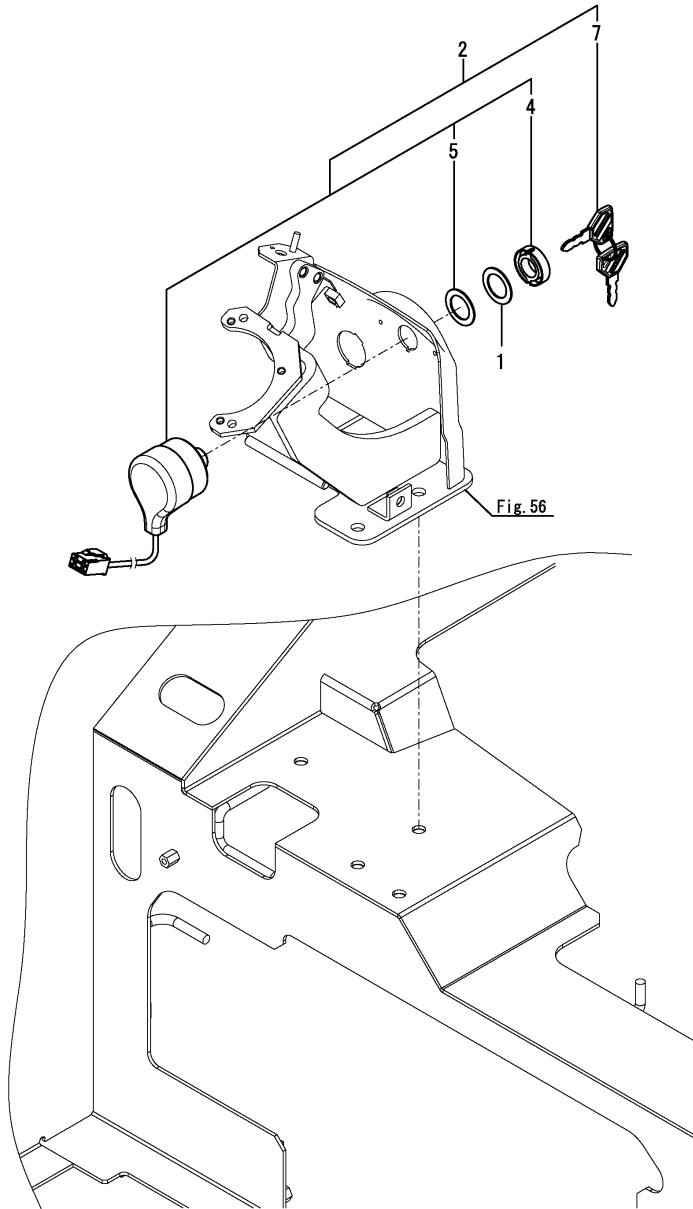


Fig.25. STARTER SWITCH

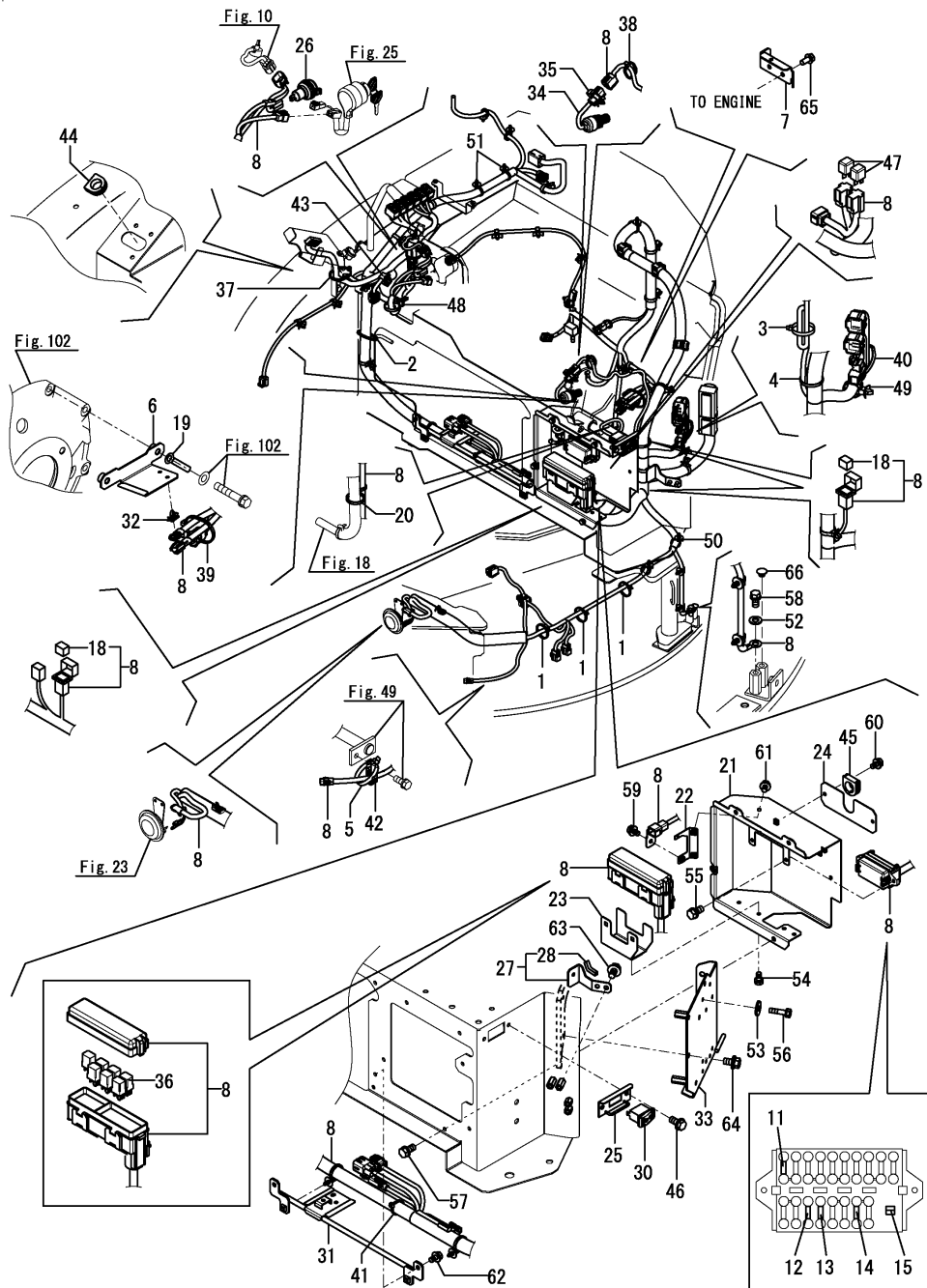
(A)=VIO50-6B P(BR)
 (B)=VIO50-6B C(BR)
 (C)=

(D)=
 (E)=
 (F)=



No.	Lev.	Parts No.	Description	Q'ty						I	R
				(A)	(B)	(C)	(D)	(E)	(F)		
1	1	172B03-44400	WASHER, 20.2X32X1	1	1						
2	1	194940-52110	SWITCH, STARTING	1	1						
4	3	198360-52320	NUT, RING	1	1						
5	3	198360-52330	WASHER	1	1						
7	2	198360-52160	KEY ASSY, SPARE	1	1						

Fig.26. AROUND THE SEAT

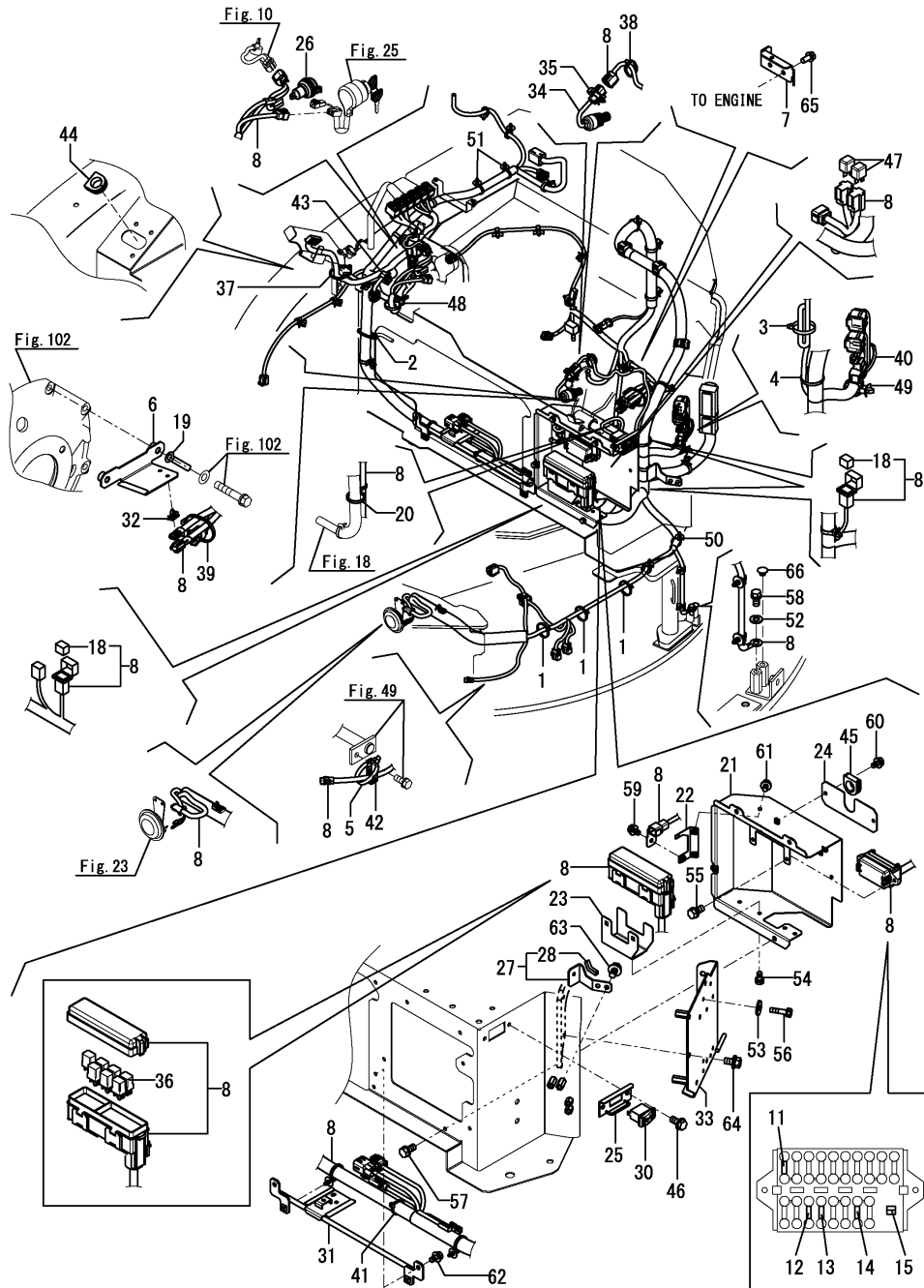


(A)=VIO50-6B P(BR)
 (B)=VIO50-6B C(BR)
 (C)=

(D)=
 (E)=
 (F)=

No.	Lev.	Parts No.	Description	(A)	(B)	Q'ty						I	R
						(C)	(D)	(E)	(F)				
1	1	172126-11510	BAND		3		3						
2	1	172126-11510	BAND		1		1						
3	1	172126-11510	BAND		1		1						
4	1	172126-11510	BAND		1		1						
5	1	172126-11510	BAND		1		1						
6	1	172B04-16431	PLATE ASSY,CON S		1		1						
7	1	172B04-16460	MOUNT,HARNESS S		1		1						
8	1	172B05-16522	HARNESS ASSY, MOUNT		1		1						
11	2	198535-52110	FUSE, 5A		6		6						
12	2	198535-52120	FUSE, 10A		4		4						
13	2	198535-52140	FUSE, 20A		5		5						
14	2	1A7450-52180	FUSE, 25A		6		6						
15	2	1E9570-83900	MINI FUSE PULLER		1		1						
18	2	1E8235-84910	DIODE, 090 31		4		4						
19	1	172126-16540	CLAMP		1		1						
20	1	172137-16560	BAND		1		1						
21	1	172B04-17000	BOX ASSY,ELECTRIC		1		1						
22	1	172B03-17051	STAY ASSY,CONNECTOR		1		1						
23	1	172B04-17050	STAY ASSY, RELAY 10		1		1						
24	1	172B03-17100	COVER, FUSE		1		1						
25	1	172A89-17180	PLATE ASSY,SWITCH		1		1						
26	1	172A64-17250	SOCKET ASSY		1		1						
27	1	172B04-17250	STAY ASSY,MAIN HNS		1		1						
28	2	172B04-17261	SEAL,40		1		1						
30	1	172A69-17260	SWITCH, ENGINE STOP		1		1						
31	1	172B04-17650	SUPPORT ASSY,HARNESS		1		1						
32	1	172B04-17790	CLIP,SWP CONNECTOR		1		1						
33	1	172B04-17830	PLATE ASSY, GPS		1		1						
34	1	1D4103-18301	SWITCH, PUSH		1		1						
35	1	194680-51670	BAND, CLIP		1		1						
36	1	1A7522-52950	RELAY, ACM13221M19		7		7						
37	1	194202-56460	BAND, 200		1		1						
38	1	194202-56460	BAND, 200		1		1						
39	1	194202-56460	BAND, 200		1		1						
40	1	194202-56460	BAND, 200		1		1						
41	1	194202-56460	BAND, 200		1		1						
42	1	1A1686-57850	CLAMP, 80		1		1						
43	1	1A1686-57850	CLAMP, 80		1		1						
44	1	172165-62800	GROMMET		1		1						
45	1	172165-62800	GROMMET		1		1						
46	1	172519-63240	BOLT		2		2						
47	1	129927-77920	RELAY, ISO 70A		2		2						
48	1	172187-78580	BAND		1		1						
49	1	1E8775-84120	CLAMP, BAND		1		1						
50	1	1E8915-84120	CLAMP, BAND		1		1						
51	1	1E8915-84120	CLAMP, BAND		2		2						
52	1	22137-100000	WASHER, 10		1		1						
53	1	22157-060000	WASHER, 6		2		2						
54	1	26013-060122	BOLT, M6X 12		2		2						
55	1	26013-060202	BOLT, M6X 20		2		2						
56	1	26013-060252	BOLT, M6X 25		2		2						

Fig.26. AROUND THE SEAT



(A)=VIO50-6B P(BR)
 (B)=VIO50-6B C(BR)
 (C)=

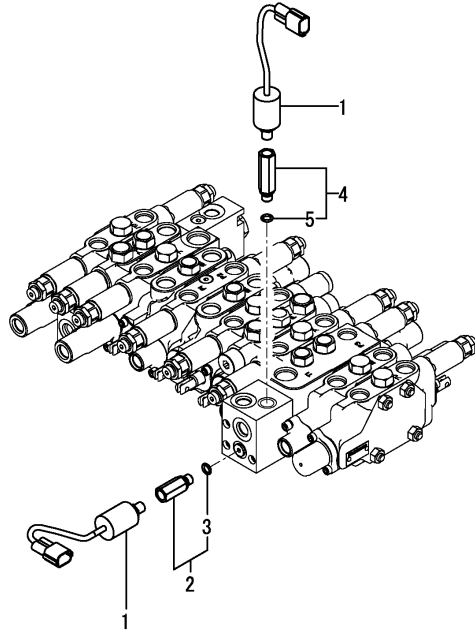
(D)=
 (E)=
 (F)=

No.	Lev.	Parts No.	Description	Q'ty						I	R
				(A)	(B)	(C)	(D)	(E)	(F)		
57	1	26013-080162	BOLT, M8X 16	4	4						
58	1	26013-100202	BOLT, M10X 20	1	1						
59	1	26014-060122	BOLT, M6X 12	1	1						
60	1	26014-060122	BOLT, M6X 12	2	2						
61	1	26014-060122	BOLT, M6X 12	2	2						
62	1	26014-080162	BOLT, M8X 16	2	2						
63	1	26014-080162	BOLT, M8X 16	2	2						
64	1	26014-080162	BOLT, M8X 16	3	3						
65	1	26106-080162	BOLT, M8X 16 PLATED	2	2						
66	1	172183-81160	CLIP, TREE	1	1						

Fig.27. PRESSURE SWITCH

(A)=VIO50-6B P(BR)
 (B)=VIO50-6B C(BR)
 (C)=

(D)=
 (E)=
 (F)=

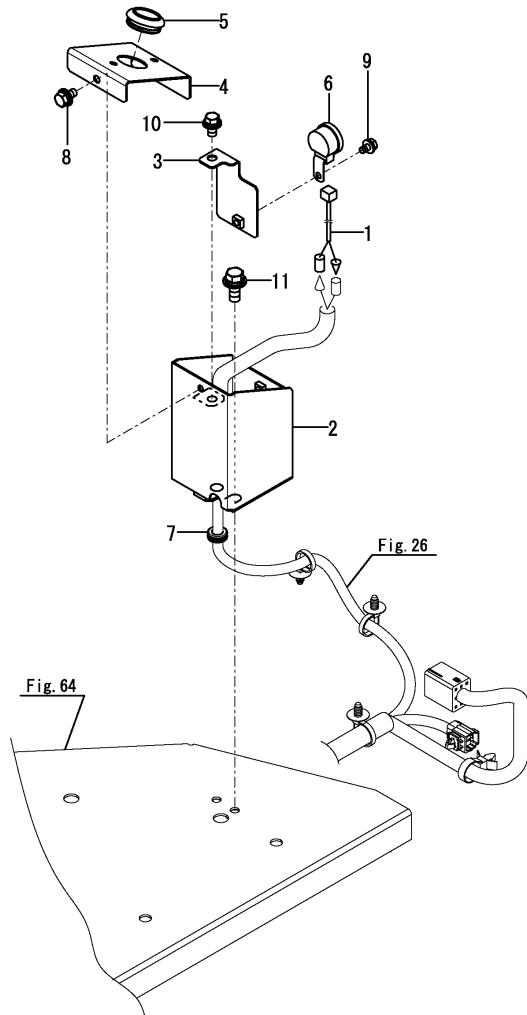


No.	Lev.	Parts No.	Description	Q'ty						I	R
				(A)	(B)	(C)	(D)	(E)	(F)		
1	1	172478-17202	SWITCH, PRESSURE	2	2						
2	1	172A47-76111	CONNECTOR, G1/8XR1/8	1	1						
3	2	24315-000080	O-RING, 1BP8.0	1	1						
4	1	172A79-76110	CONNECTOR, G1/8XR1/8	1	1						
5	2	24315-000080	O-RING, 1BP8.0	1	1						

Fig.28. TRAVEL ALARM

(A)=VIO50-6B P(BR)
 (B)=VIO50-6B C(BR)
 (C)=

(D)=
 (E)=
 (F)=

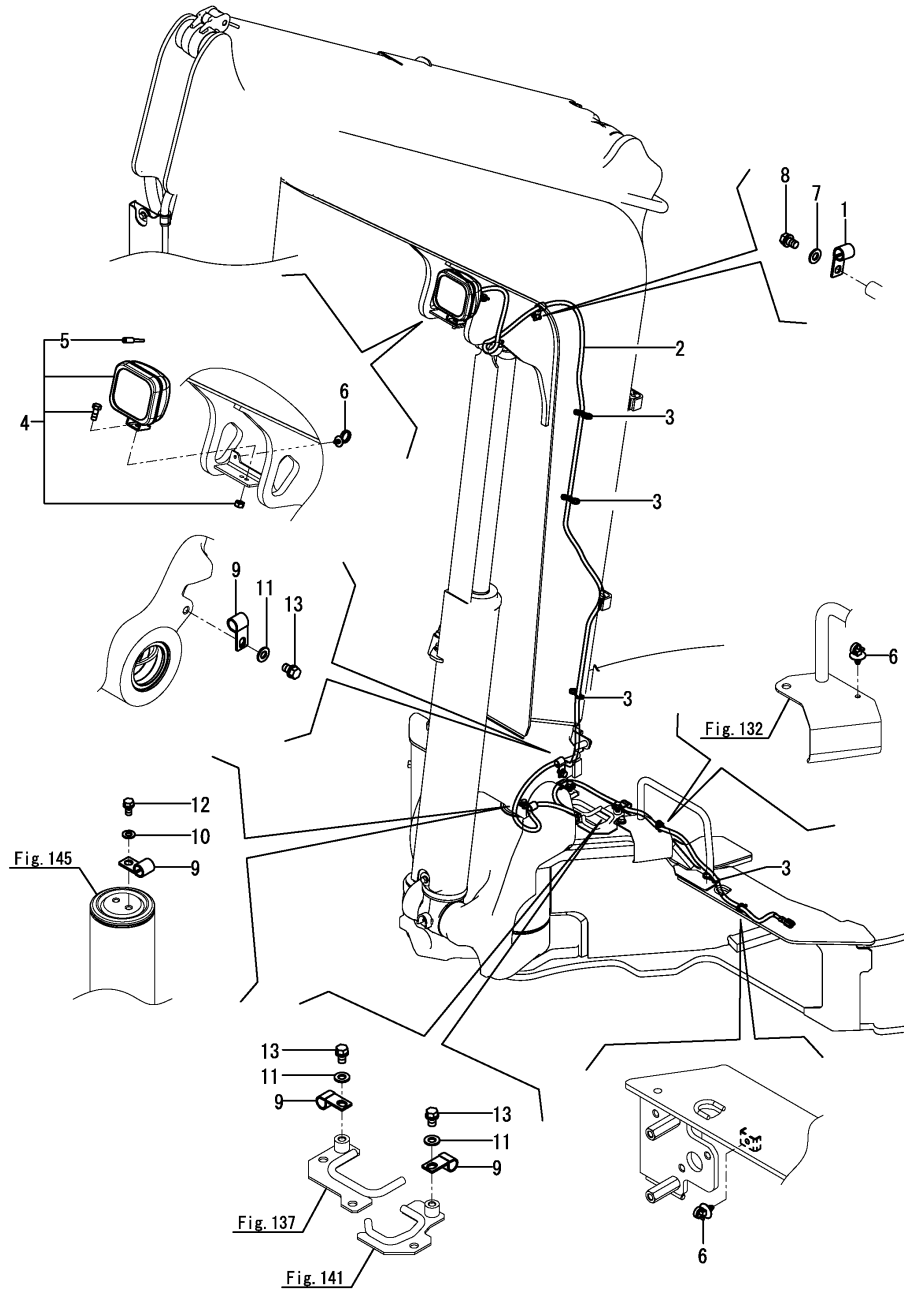


No.	Lev.	Parts No.	Description	Q'ty						I	R
				(A)	(B)	(C)	(D)	(E)	(F)		
1	1	172B03-16570	HARNES, BUZZER	1	1						
2	1	172B03-16740	BRACKET ASSY, BUZZER	1	1						
3	1	172B03-16760	BRACKET ASSY	1	1						
4	1	172B03-16890	PLATE, TRAVEL BUZZER	1	1						
5	1	172456-53700	GROMMET	1	1						
6	1	198071-57110	BUZZER, BACK	1	1						
7	1	172162-61850	GROMMET	1	1						
8	1	26014-060122	BOLT, M6X 12	2	2						
9	1	26014-060162	BOLT, M6X 16	1	1						
10	1	26014-080162	BOLT, M8X 16	1	1						
11	1	26014-080202	BOLT, M8X 20	2	2						

Fig.29. WORK LAMP

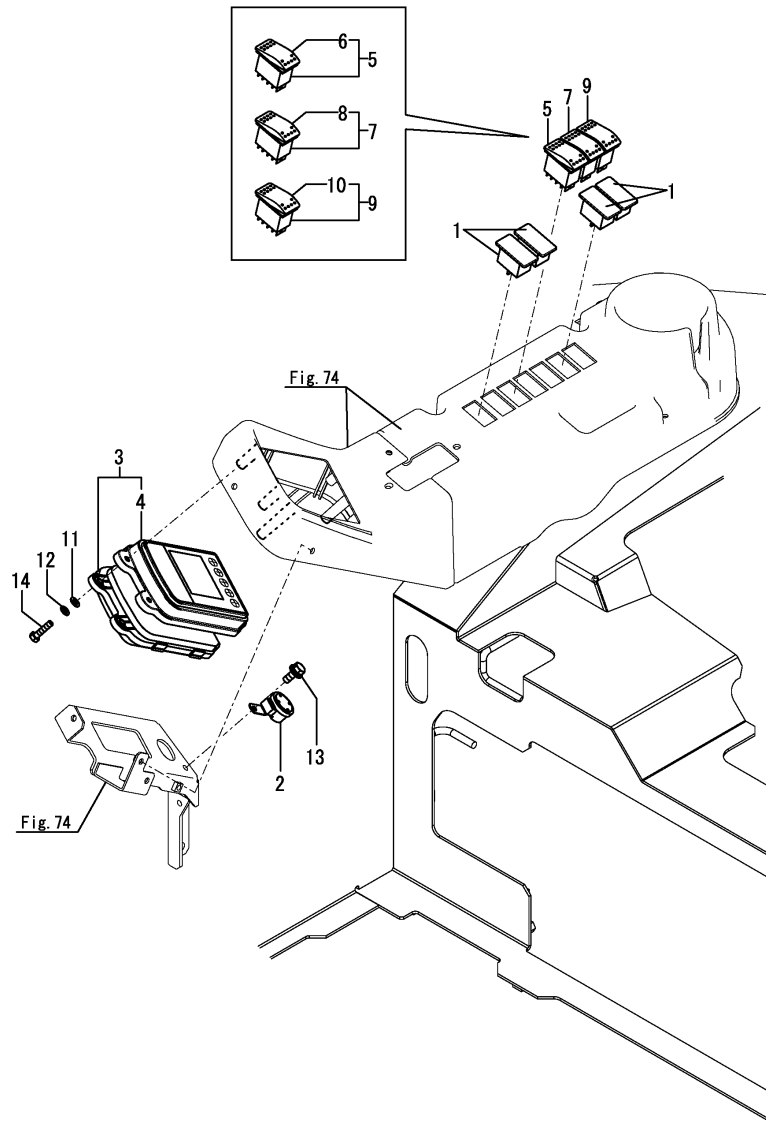
(A)=VIO50-6B P(BR)
 (B)=VIO50-6B C(BR)
 (C)=

(D)=
 (E)=
 (F)=



No.	Lev.	Parts No.	Description	Q'ty						I	R
				(A)	(B)	(C)	(D)	(E)	(F)		
1	1	172B03-16130	CLAMP	1	1						
2	1	172B04-16550	HARNES,WORK LAMP	1	1						
3	1	172137-16560	BAND	4	4						
4	1	172B03-17460	LAMP ASSY,WORK	1	1						
5	2	172B03-17470	BULB, 12V 55W	1	1						
6	1	1E8915-84120	CLAMP, BAND	4	4						
7	1	22137-100000	WASHER, 10	1	1						
8	1	26013-100162	BOLT, M10X 16	1	1						
9	1	172B03-16130	CLAMP	4	4						
10	1	22137-080000	WASHER, 8	1	1						
11	1	22137-100000	WASHER, 10	3	3						
12	1	26013-080162	BOLT, M8X 16	1	1						
13	1	26013-100162	BOLT, M10X 16	3	3						

Fig.30. INSTRUMENT PANEL(CANOPY)



(A)=VIO50-6B P(BR)
 (B)=VIO50-6B C(BR)
 (C)=

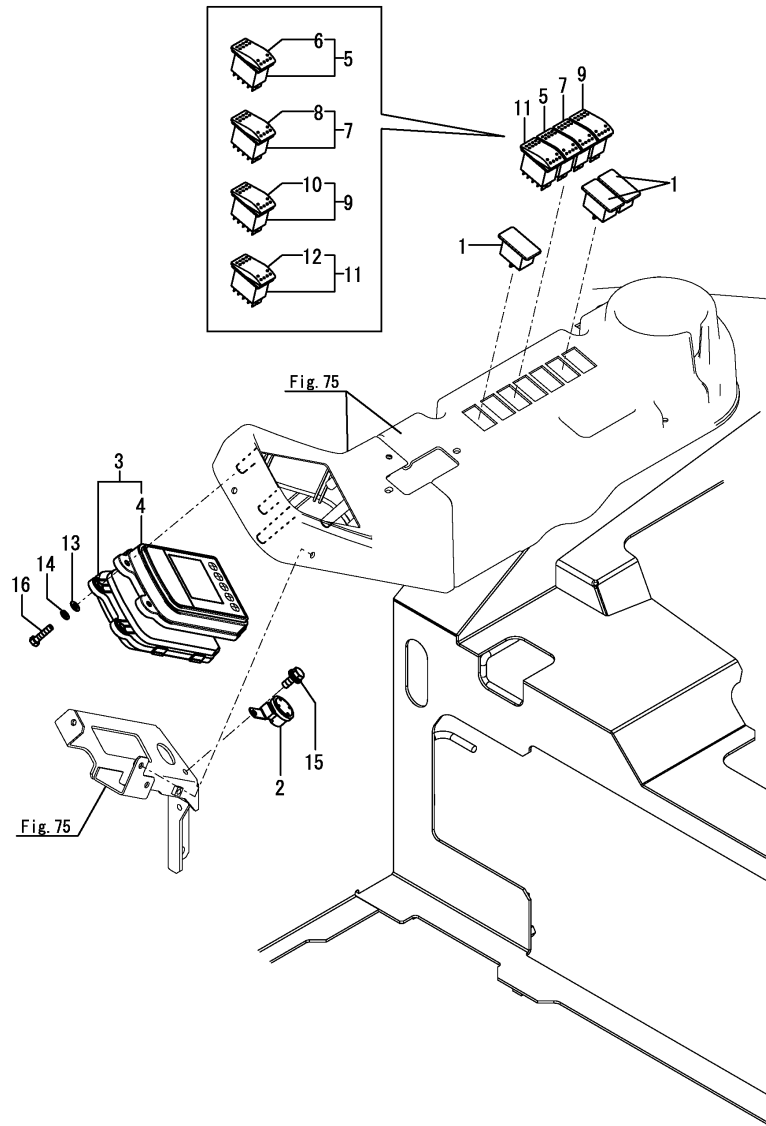
(D)=
 (E)=
 (F)=

No.	Lev.	Parts No.	Description	Q'ty						I	R
				(A)	(B)	(C)	(D)	(E)	(F)		
1	1	172538-17100	PLUG, PANEL	4							
2	1	172141-17150	BUZZER	1							
3	1	172B03-17258	MONITOR ASSY	1							
4	2	172B03-17261	MONITOR ASSY,UPPER	1							
5	1	172B03-17301	SWITCH,LIGHT	1							
6	2	172B03-17350	COVER,SWITCH LIGHT	1							
7	1	172B03-17310	SWITCH, ECO	1							
8	2	172B03-17360	COVER,SWITCH ECO	1							
9	1	172B03-17320	SWITCH, AUTO DECEL	1							
10	2	172B03-17370	COVER,SWITCH A/D	1							
11	1	22137-050000	WASHER, 5	4							
12	1	22217-050000	WASHER, SPRING 5	4							
13	1	26014-060162	BOLT, M6X 16	1							
14	1	26116-050202	BOLT, M5X 20 PLATED	4							

Fig.31. INSTRUMENT PANEL(CABIN)

(A)=VIO50-6B P(BR)
 (B)=VIO50-6B C(BR)
 (C)=

(D)=
 (E)=
 (F)=

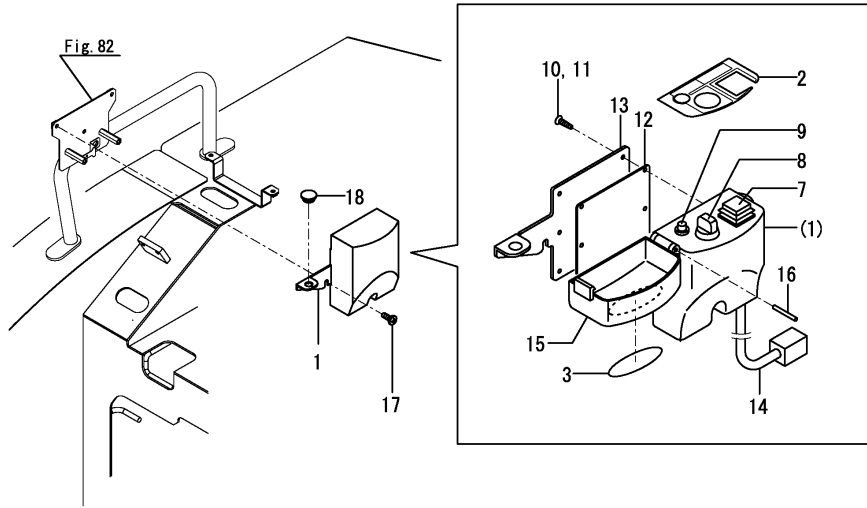


No.	Lev.	Parts No.	Description	Q'ty						I	R
				(A)	(B)	(C)	(D)	(E)	(F)		
1	1	172538-17100	PLUG, PANEL		3						
2	1	172141-17150	BUZZER		1						
3	1	172B03-17258	MONITOR ASSY		1						
4	2	172B03-17261	MONITOR ASSY,UPPER		1						
5	1	172B03-17301	SWITCH,LIGHT		1						
6	2	172B03-17350	COVER,SWITCH LIGHT		1						
7	1	172B03-17310	SWITCH, ECO		1						
8	2	172B03-17360	COVER,SWITCH ECO		1						
9	1	172B03-17320	SWITCH, AUTO DECEL		1						
10	2	172B03-17370	COVER,SWITCH A/D		1						
11	1	172B03-17331	SWITCH,WIPER		1						
12	2	172B03-17380	COVER,SWITCH WIPER		1						
13	1	22137-050000	WASHER, 5		4						
14	1	22217-050000	WASHER, SPRING 5		4						
15	1	26014-060162	BOLT, M6X 16		1						
16	1	26116-050202	BOLT, M5X 20 PLATED		4						

Fig.32. QUICK COUPLER(SWITCH BOX)

(A)=VIO50-6B P(BR)
 (B)=VIO50-6B C(BR)
 (C)=

(D)=
 (E)=
 (F)=



No.	Lev.	Parts No.	Description	Q'ty						I	R
				(A)	(B)	(C)	(D)	(E)	(F)		
1	1	172958-17410	BOX, SWITCH EX D	1	1						
2	2	172472-03290	LABEL, SWITCH	1	1						
3	2	172472-03300	LABEL, COVER	1	1						
7	2	172958-17140	SWITCH ASSY	1	1						
8	2	172958-17150	SWITCH ASSY	1	1						
9	2	172958-17160	LAMP, INDICATOR	1	1						
10	2	172958-17170	SCREW, TAPPING	6	6						
11	2	172958-17180	SCREW, TAPPING	2	2						
12	2	172958-17190	PACKING	1	1						
13	2	172958-17200	BRACKET	1	1						
14	2	172958-17220	CORD	1	1						
15	2	172958-17230	CASE, UPPER	1	1						
16	2	22351-030028	PIN, SPRING 3.0X28	1	1						
17	1	172137-46210	SCREW	3	3						
18	1	172187-64900	PLUG	1	1						
19	1	172B03-17900	STAY ASSY		1						
20	1	26014-080202	BOLT, M8X 20		2						
21	1	933169-15231	STAPLE		1						

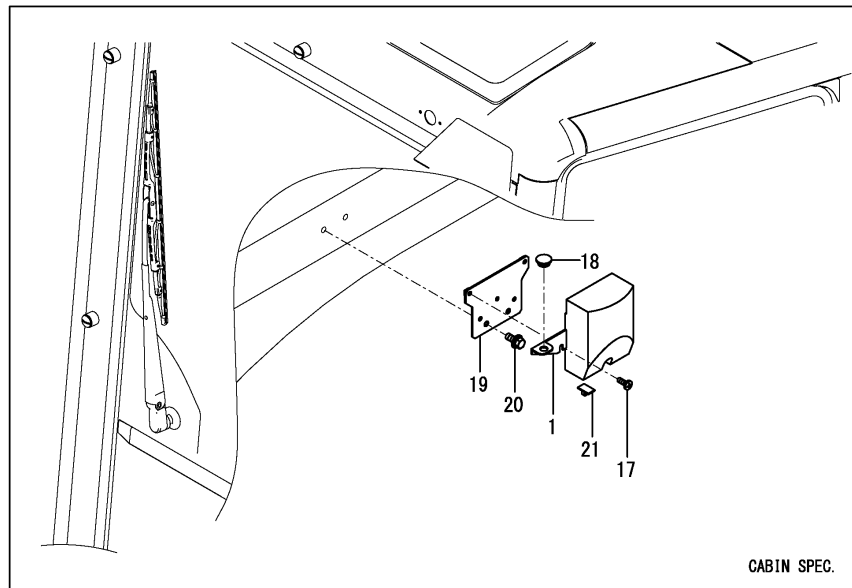
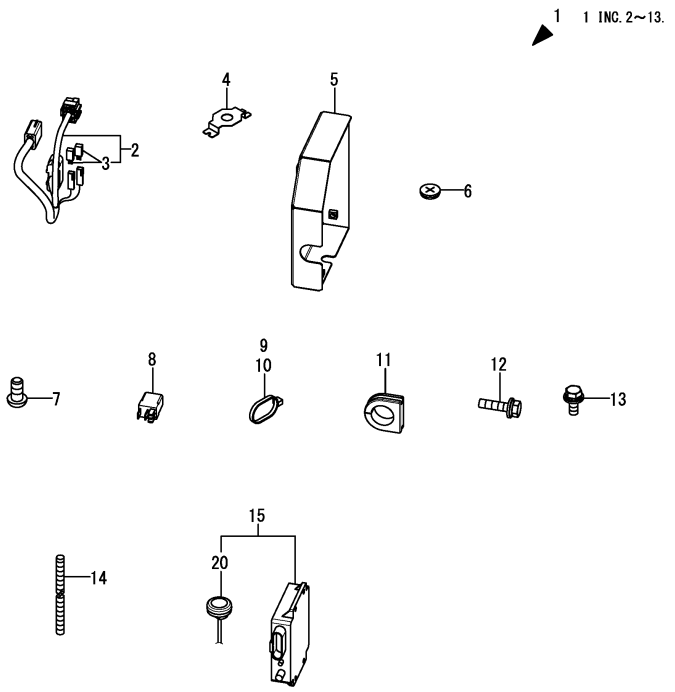


Fig.33. GPS

(A)=VIO50-6B P(BR)
 (B)=VIO50-6B C(BR)
 (C)=

(D)=
 (E)=
 (F)=



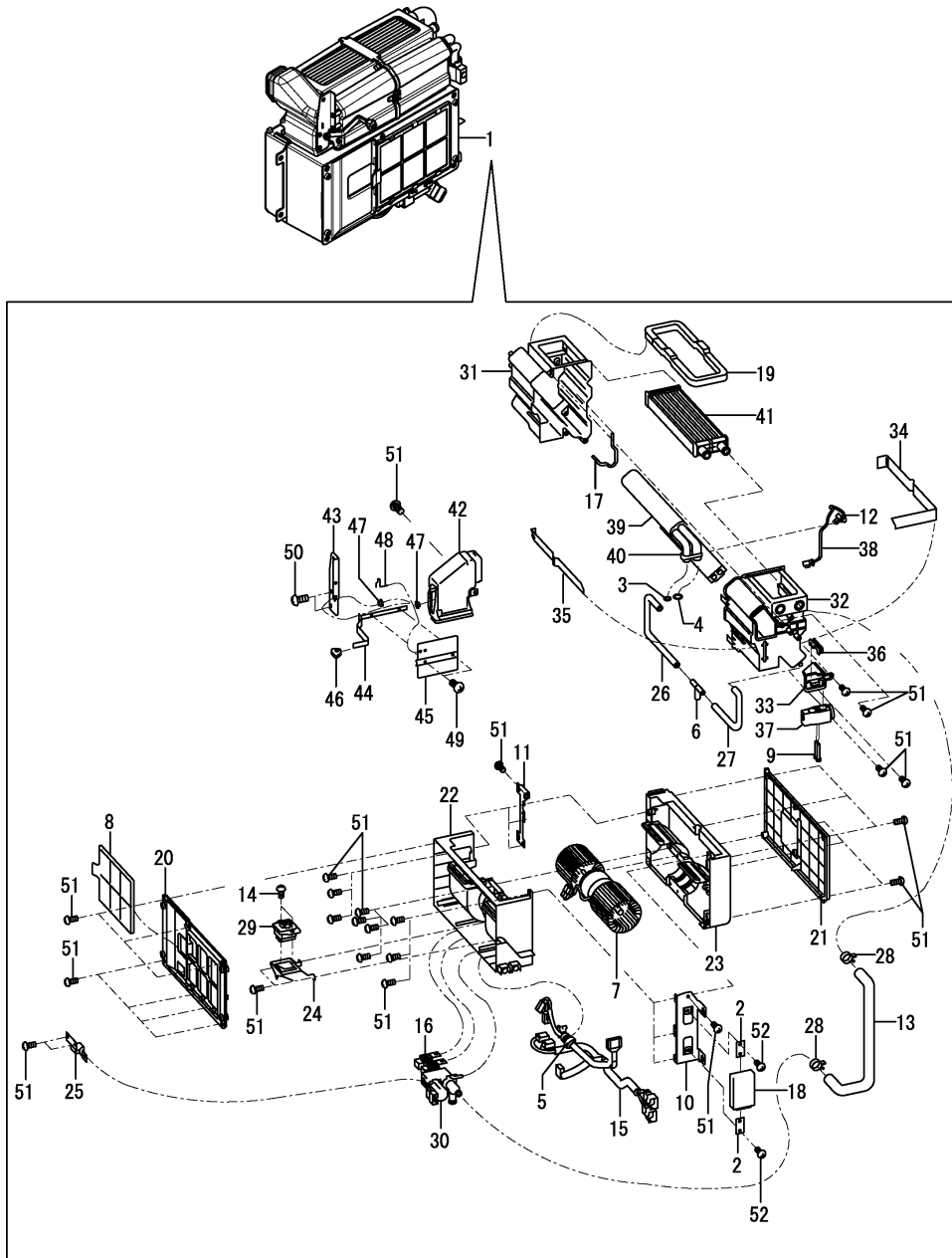
No.	Lev.	Parts No.	Description	Q'ty						I	R
				(A)	(B)	(C)	(D)	(E)	(F)		
1	1	172B04-16010	PARTS ASSY, GPS	1	1						
2	2	172B04-16620	HARNESS ASSY,GPS	1	1						
3	3	1E8235-84910	DIODE, 090 31	2	2						
4	2	172B03-17650	PLATE, ANTENNA	1	1						
5	2	172B04-17800	COVER ASSY, GPS	1	1						
6	2	1A6260-27270	GROMMET, 35	1	1						
7	2	172186-45840	BOLT	5	5						
8	2	1A7522-52950	RELAY, ACM13221M19	1	1						
9	2	194202-56460	BAND, 200	8	8						
10	2	194202-56460	BAND, 200	2	2						
11	2	172165-62800	GROMMET	1	1						
12	2	26014-060162	BOLT, M6X 16	4	4						
13	2	26014-060162	BOLT, M6X 16	2	2						
14	1	172B11-16540	TUBE, PROTECTOR 7	1	1						
15	1	1RF001-93582	SA-R KIT,3GJSP	1	1						1
20	2	1RF001-93010	ANTENNA,MOBILE	1	1						

Remarks
 (1)To install proper information, go to an authorized distributor.
 Note : Carrier registration is required when replacing this part.
 * For more information, contact the service department of the dealer you purchased from.
 Note : Registration is required when replacing this part.
 * For more information, contact the service department of the dealer you purchased from.

Fig.34. AIR CONDITIONER(UNIT)

(A)=VIO50-6B P(BR)
 (B)=VIO50-6B C(BR)
 (C)=

(D)=
 (E)=
 (F)=



No.	Lev.	Parts No.	Description	Q'ty						I	R
				(A)	(B)	(C)	(D)	(E)	(F)		
1	1	172B03-19101	AIR CON UNIT		1						
2	2	172B06-18550	BRACKET,AMP		2						
3	2	172B06-18680	O-RING		1						
4	2	172B06-18690	O-RING		1						
5	2	172B06-18930	INSULATOR,HARNESS		1						
6	2	172B06-18960	ELBOW,DRAIN		1						
7	2	172B06-18970	MOTOR ASSY,BLOWER		1						
8	2	172B03-19120	FILTER, REC		1						
9	2	172B06-19120	BOLT, SOCKET M5X40		2						
10	2	172B03-19130	BRACKET, 1		1						
11	2	172B03-19140	BRACKET, 2		1						
12	2	172B06-19140	HOLDER,THERMISTOR		1						
13	2	172B03-19150	HOSE, HEATER		1						
14	2	172B06-19150	SCREW, PAN HEAD		2						
15	2	172B03-19191	HARNESS ASSY, HVAC		1						
16	2	172B03-19200	RELAY		2						
17	2	172B06-19200	SEAL,CASE		1						
18	2	172B03-19210	CONTROLLER, HVAC		1						
19	2	172B03-19220	SEAL, OUTLET		1						
20	2	172B03-19230	COVER, FRONT		1						
21	2	172B03-19240	COVER, BACK		1						
22	2	172B03-19250	CASE ASSY, LOW FRONT		1						
23	2	172B03-19260	CASE ASSY, LOW BACK		1						
24	2	172B03-19270	MOUNT, RESISTOR		1						
25	2	172B03-19280	RETAINER, VALVE		1						
26	2	172B03-19290	HOSE, DRAIN 1		1						
27	2	172B03-19300	HOSE, DRAIN 2		1						
28	2	172B03-19310	CLAMP, HOSE		2						
29	2	172B03-19320	RESISTOR		1						
30	2	172B03-19330	VALVE ASSY, WATER		1						
31	2	172B03-19340	CASE ASSY, UP FEMALE		1						
32	2	172B03-19350	CASE ASSY, UP MALE		1						
33	2	172B03-19360	COVER ASSY, PAF		1						
34	2	172B03-19370	SEAL, AC-UNIT 1		1						
35	2	172B03-19380	SEAL, AC-UNIT 2		1						
36	2	172B03-19390	RETAINER, TXV		1						
37	2	172B03-19400	VALVE, EXPANSION		1						
38	2	172B03-19410	SENSOR, TEMPERATURE		1						
39	2	172B03-19420	EVAPORATOR ASSY		1						
40	2	172B03-19430	STAY		1						
41	2	172B03-19440	HEATER ASSY		1						
42	2	172B03-19450	DUCT ASSY		1						
43	2	172B03-19460	BRACKET, DUCT		1						
44	2	172B03-19470	LEVER ASSY, DOOR		1						
45	2	172B03-19480	DOOR ASSY		1						
46	2	172B03-19490	KNOB		1						
47	2	172B03-19500	SPACER, C		2						
48	2	172B03-19510	SPRING		1						
49	2	172B03-19520	SCREW, 3X6		2						
50	2	172B03-19530	SCREW, 4X10		2						
51	2	172B03-19540	SCREW, 4X16		36						

Fig.34. AIR CONDITIONER(UNIT)

(A)=VIO50-6B P(BR)
 (B)=VIO50-6B C(BR)
 (C)=

(D)=
 (E)=
 (F)=

No.	Lev.	Parts No.	Description	Q'ty						I	R	
				(A)	(B)	(C)	(D)	(E)	(F)			
52	2	172B03-19550	SCREW, 5X5				2					

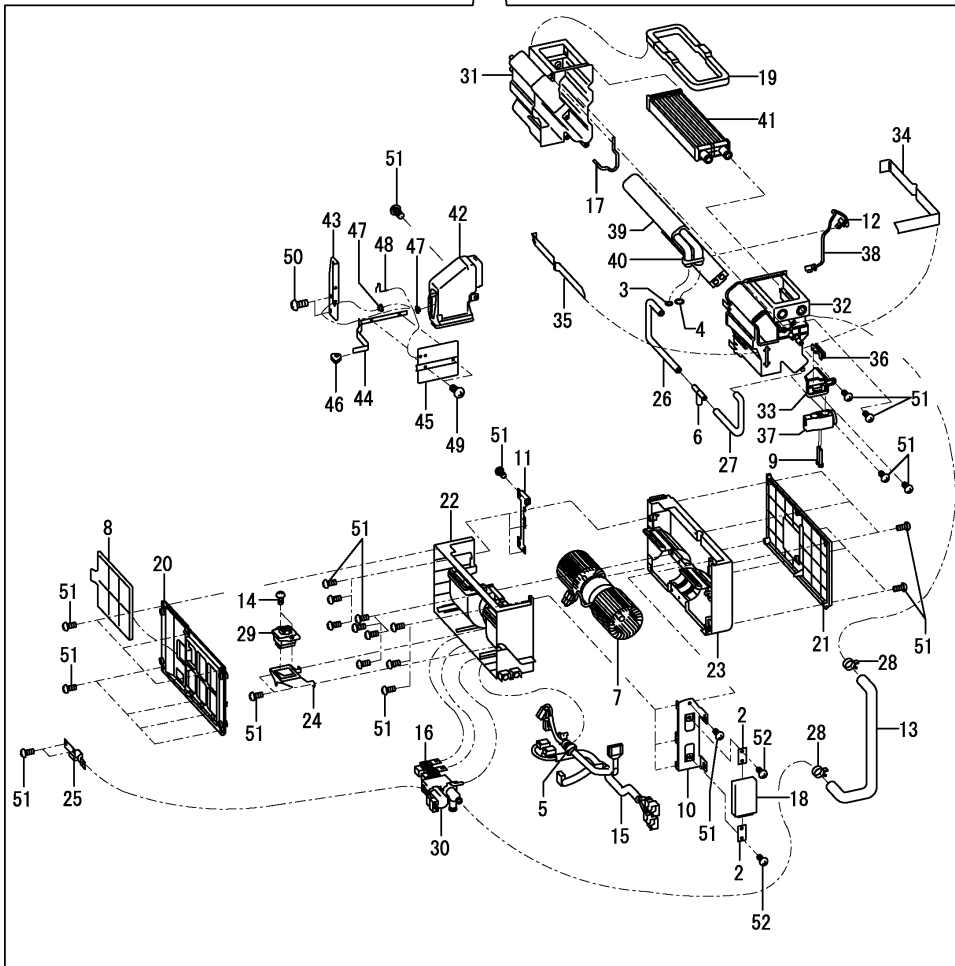
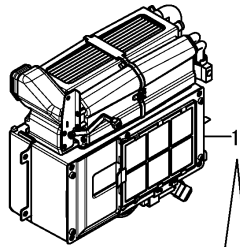
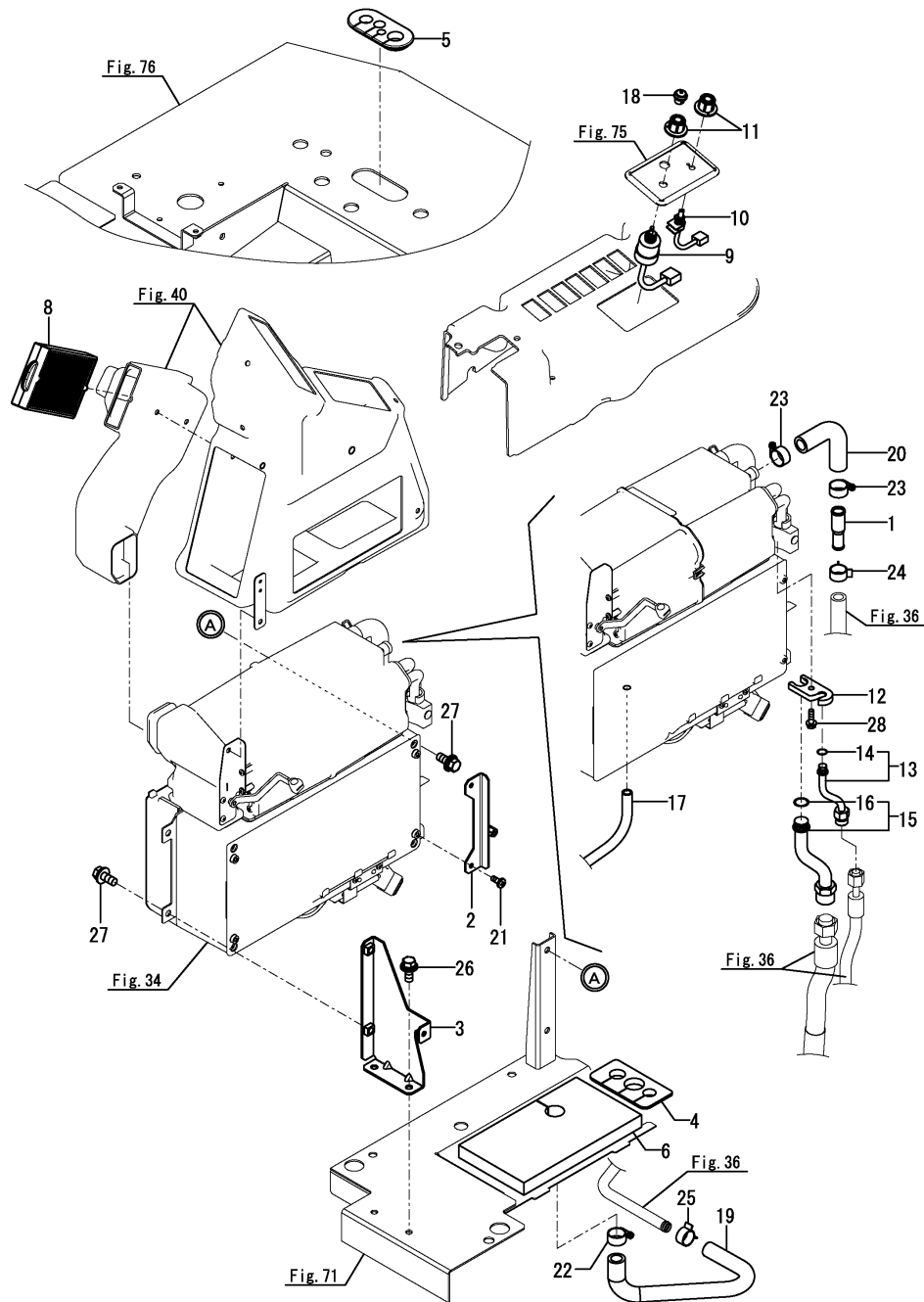


Fig.35. AIR CONDITIONER(Accessory)

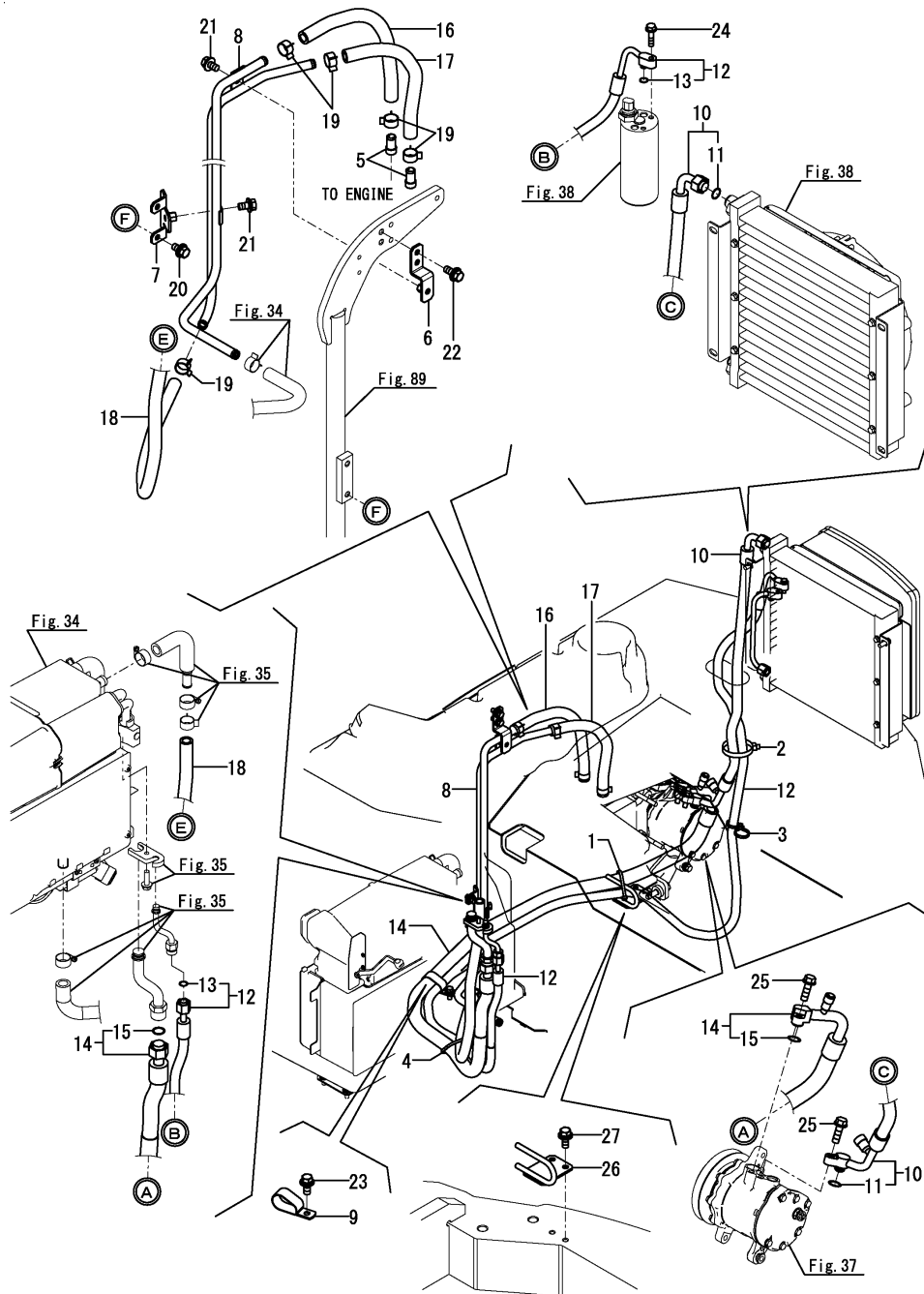


(A)=VIO50-6B P(BR)
 (B)=VIO50-6B C(BR)
 (C)=

(D)=
 (E)=
 (F)=

No.	Lev.	Parts No.	Description	Q'ty						I	R
				(A)	(B)	(C)	(D)	(E)	(F)		
1	1	172455-17930	JOINT, HOSE		1						
2	1	172B03-18310	STAY ASSY		1						
3	1	172B03-18350	BRACKET ASSY, AC F		1						
4	1	172B04-18550	GROMMET, HOSE-AC		1						
5	1	172B03-18570	GROMMET		1						
6	1	172B04-18580	SPONGE, PARTITION		1						
8	1	172B06-18420	FILTER, AIR		1						
9	1	172B06-18560	SWITCH, BLOWER		1						
10	1	172B06-18570	SWITCH, THERMO		1						
11	1	172B06-18580	KNOB		2						
12	1	172B03-19110	PLATE, FLANGE		1						
13	1	172B04-19650	PIPE, HVAC IN		1						
14	2	172B06-18700	O-RING		1						
15	1	172B04-19660	PIPE, HVAC OUT		1						
16	2	172B06-18690	O-RING		1						
17	1	172B04-19840	HOSE, DRAIN AC		1						
18	1	172B03-19160	SWITCH ASSY		1						
19	1	172B04-19890	HOSE, HEATER IN		1						
20	1	172B03-19920	HOSE, HEATER ELBOW		1						
21	1	22877-500120	SCREW, 5X12		2						
22	1	23001-022000	CLAMP, HOSE 22		1						
23	1	23001-022000	CLAMP, HOSE 22		2						
24	1	23080-018000	CLAMP, 18		1						
25	1	23080-018000	CLAMP, 18		1						
26	1	26014-080202	BOLT, M8X 20		2						
27	1	26014-080202	BOLT, M8X 20		4						
28	1	26106-060202	BOLT, M6X 20 PLATED		1						

Fig.36. AIR CONDITIONER(PIPING)



(A)=VIO50-6B P(BR)
 (B)=VIO50-6B C(BR)
 (C)=

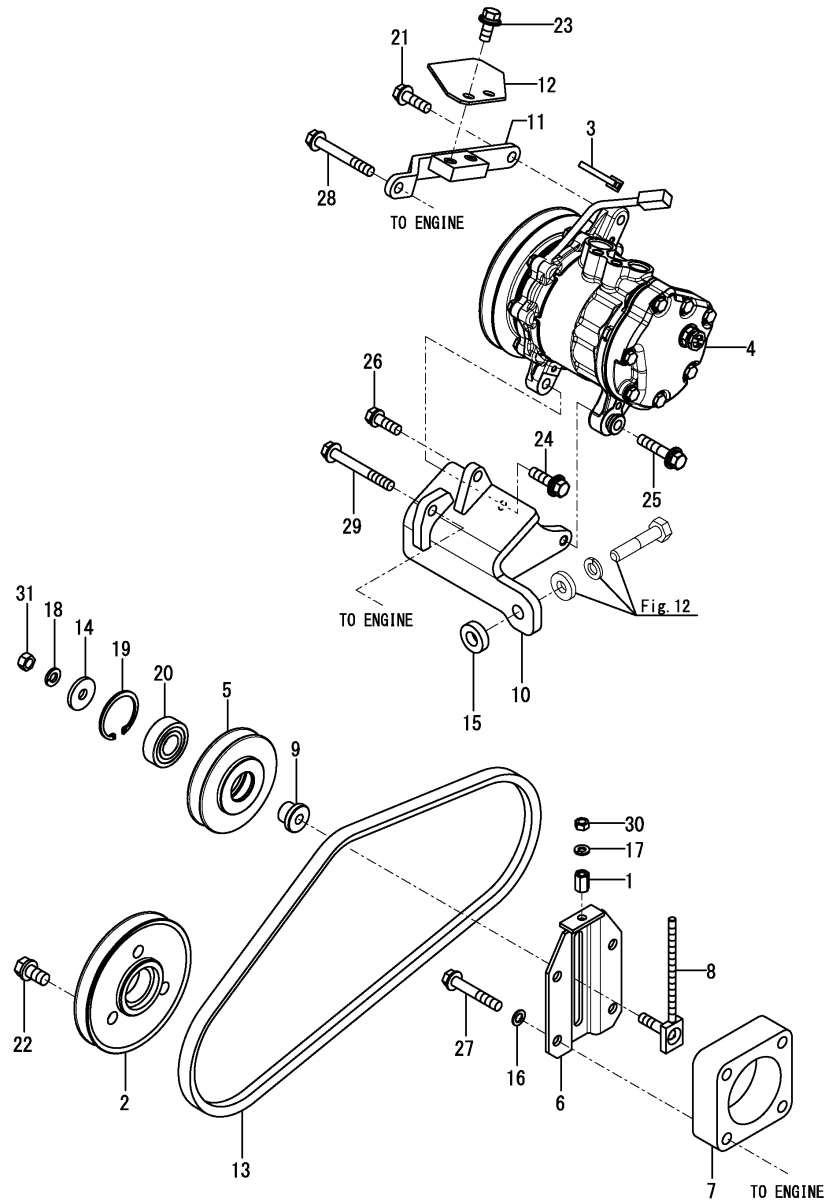
(D)=
 (E)=
 (F)=

No.	Lev.	Parts No.	Description	Q'ty						I	R
				(A)	(B)	(C)	(D)	(E)	(F)		
1	1	172126-11510	BAND		1						
2	1	172126-11510	BAND		1						
3	1	172137-16560	BAND		1						
4	1	172183-16560	CLIP, HOSE		1						
5	1	172124-17640	JOINT, PIPE		2						
6	1	172B04-18600	STAY ASSY, H-PIPE A		1						
7	1	172B04-18640	STAY ASSY, H-PIPE B		1						
8	1	172B04-19710	PIPE ASSY, HEATER		1						
9	1	172B03-19750	CLAMP, HOSE		1						
10	1	172B04-19760	HOSE ASSY, COMP-COND		1						
11	2	172B06-18680	O-RING		2						
12	1	172B04-19800	HOSE ASSY, R/D-UNIT		1						
13	2	172B06-18700	O-RING		2						
14	1	172B04-19820	HOSE ASSY, UNIT-COMP		1						
15	2	172B06-18690	O-RING		2						
16	1	172B04-19860	HOSE, HEATER 340		1						
17	1	172B04-19860	HOSE, HEATER 340		1						
18	1	172B03-19950	HOSE, HEATER 640		1						
19	1	23080-018000	CLAMP, 18		5						
20	1	26014-080162	BOLT, M8X 16		2						
21	1	26014-080162	BOLT, M8X 16		2						
22	1	26014-080202	BOLT, M8X 20		2						
23	1	26014-080202	BOLT, M8X 20		1						
24	1	26106-060252	BOLT, M6X 25 PLATED		1						
25	1	26106-080252	BOLT, M8X 25 PLATED		2						
26	1	172B04-18400	GUIDE ASSY, HOSE		1						
27	1	26014-080202	BOLT, M8X 20		2						

Fig.37. AIR CONDITIONER(ENGINE RELATED)

(A)=VIO50-6B P(BR)
 (B)=VIO50-6B C(BR)
 (C)=

(D)=
 (E)=
 (F)=

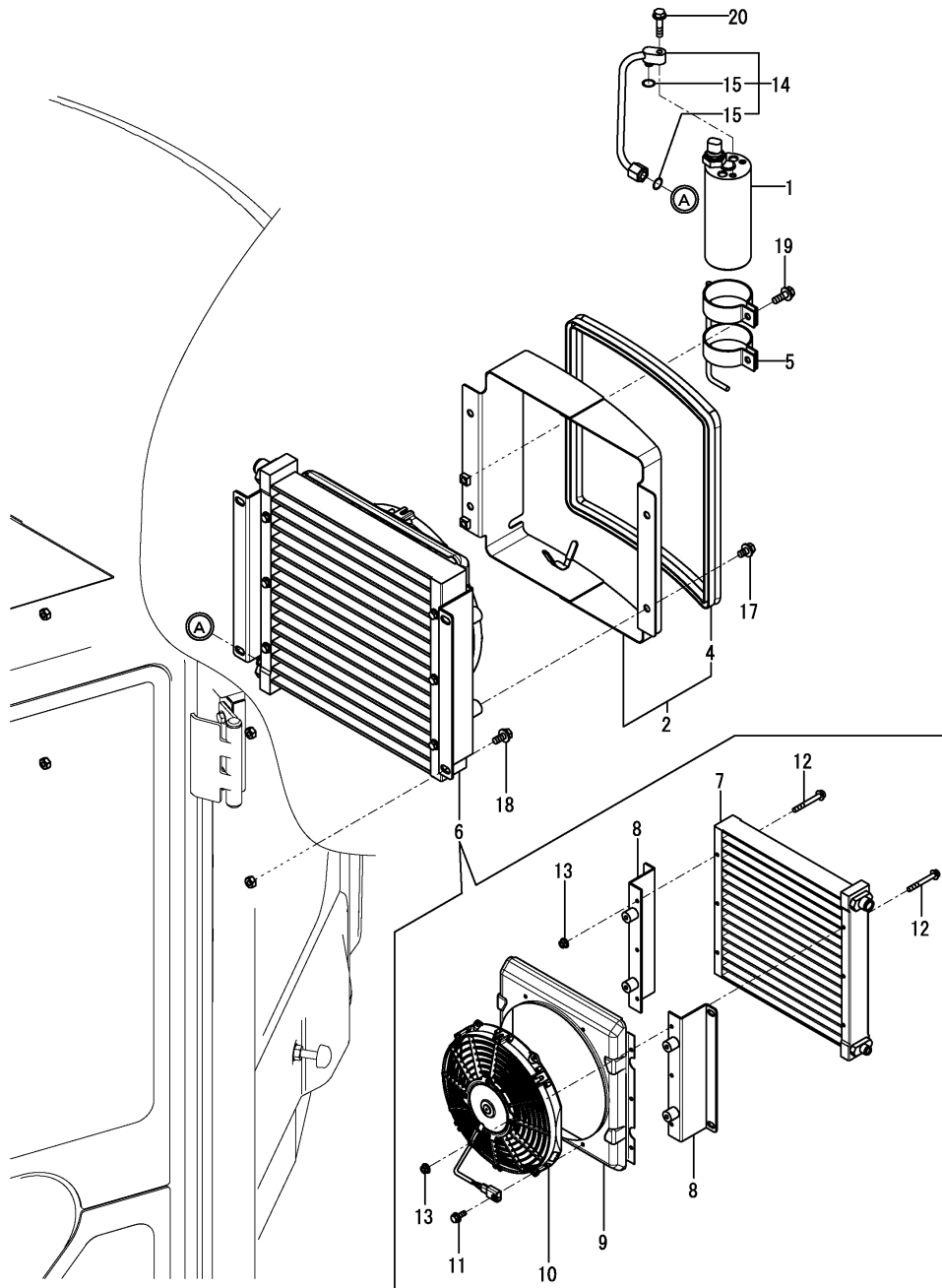


No.	Lev.	Parts No.	Description	Q'ty						I	R
				(A)	(B)	(C)	(D)	(E)	(F)		
1	1	1A7550-08811	NUT, M6X15		1						
2	1	172A47-11200	PULLEY		1						
3	1	172137-16560	BAND		1						
4	1	172B03-18100	COMPRESSOR ASSY		1						
5	1	172445-18131	PULLEY, TENSION		1						
6	1	172165-18601	BRACKET ASSY, PULLEY		1						
7	1	172491-18620	PLATE		1						
8	1	172165-18630	ADJUSTER ASSY		1						
9	1	172165-18670	BOSS		1						
10	1	172B04-18810	BRACKET ASSY, COMP-A		1						
11	1	172B04-18880	BRACKET ASSY, COMP-B		1						
12	1	172B04-18900	COVER, COMPRESSOR		1						
13	1	172445-18960	V-BELT		1						
14	1	1A1040-43900	WASHER, SPRING		1						
15	1	172156-61320	COLLAR		1						
16	1	22190-080002	WASHER, SEAL 8		4						
17	1	22217-060000	WASHER, SPRING 6		1						
18	1	22217-080000	WASHER, SPRING 8		1						
19	1	22252-000400	RING, 40		1						
20	1	24104-062030	BEARING, 6203UUC3		1						
21	1	26013-080252	BOLT, M8X 25		1						
22	1	26013-100202	BOLT, M10X 20		3						
23	1	26014-080202	BOLT, M8X 20		2						
24	1	26014-080302	BOLT, M8X 30		1						
25	1	26014-080402	BOLT, M8X 40		1						
26	1	26106-080252	BOLT, M8X 25 PLATED		1						
27	1	26106-080502	BOLT, M8X 50 PLATED		4						
28	1	26106-080602	BOLT, M8X 60 PLATED		1						
29	1	26106-080652	BOLT, M8X 65 PLATED		1						
30	1	26716-060002	NUT, M6		1						
31	1	26716-080002	NUT, M8		1						

Fig.38. AIR CONDITIONER(CONDENSER RELATED)

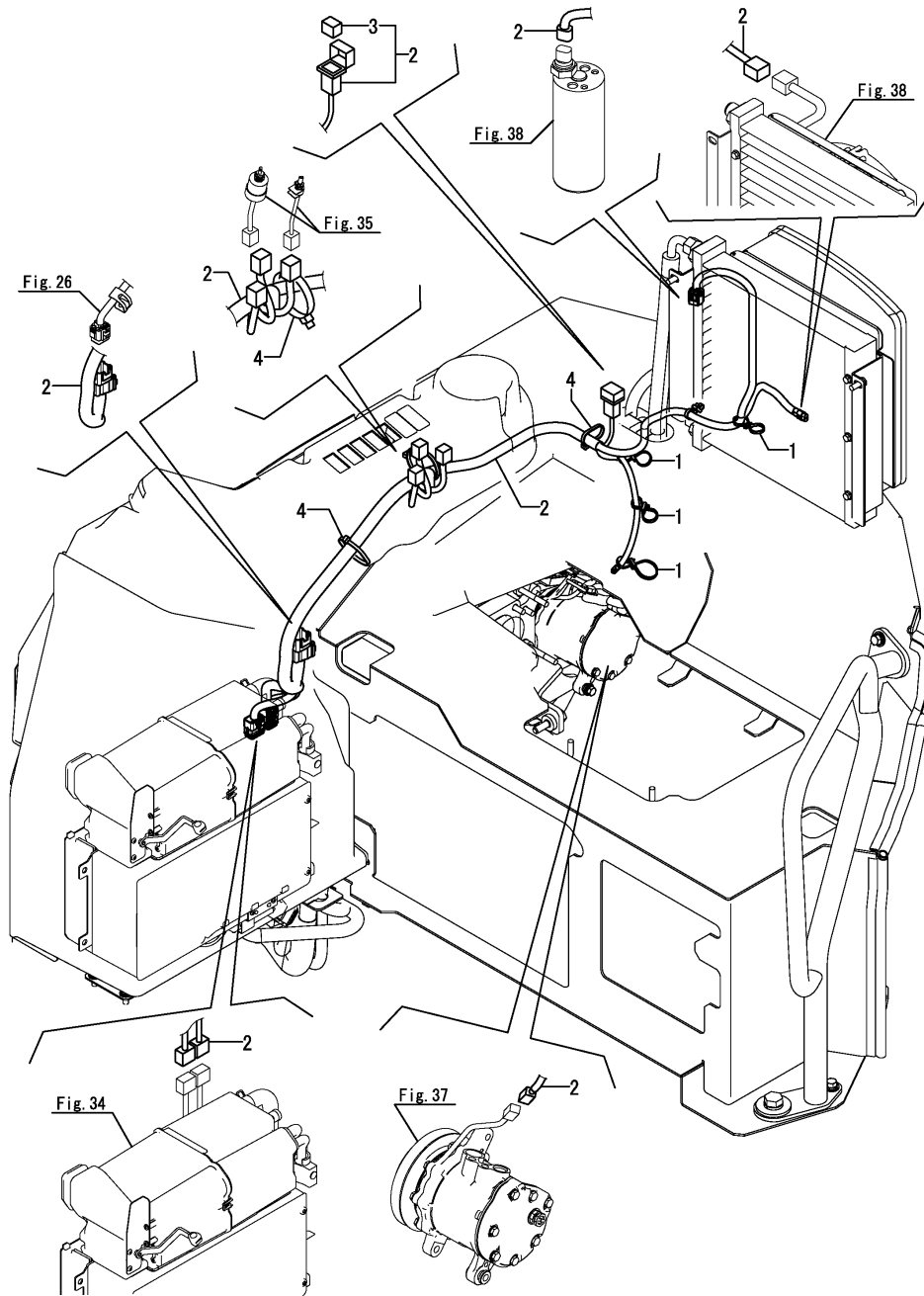
(A)=VIO50-6B P(BR)
 (B)=VIO50-6B C(BR)
 (C)=

(D)=
 (E)=
 (F)=



No.	Lev.	Parts No.	Description	Q'ty						I	R
				(A)	(B)	(C)	(D)	(E)	(F)		
1	1	172B06-18450	DRIER, RECEIVER		1						
2	1	172B03-18940	DUCT ASSY		1						
4	2	172A64-65160	SEAL, 1170		1						
5	1	172B03-18950	BRACKET ASSY, R/D		1						
6	1	172B03-19680	CONDENSER ASSY		1						
7	2	172B06-19260	CONDENSER		1						
8	2	172B03-19650	BRACKET ASSY, COND		2						
9	2	172B03-19660	COVER ASSY, COND FAN		1						
10	2	172B03-19670	MOTOR ASSY, FAN		1						
11	2	26106-060162	BOLT, M6X 16 PLATED		4						
12	2	26106-060602	BOLT, M6X 60 PLATED		6						
13	2	26366-060002	NUT, M6		6						
14	1	172B03-19780	PIPE ASSY		1						
15	2	172B06-18700	O-RING		2						
17	1	26014-080162	BOLT, M8X 16		4						
18	1	26014-080202	BOLT, M8X 20		4						
19	1	26014-080252	BOLT, M8X 25		2						
20	1	26106-060252	BOLT, M6X 25 PLATED		1						

Fig.39. AIR CONDITIONER(ELECTRIC PARTS)



(A)=VIO50-6B P(BR)
 (B)=VIO50-6B C(BR)
 (C)=

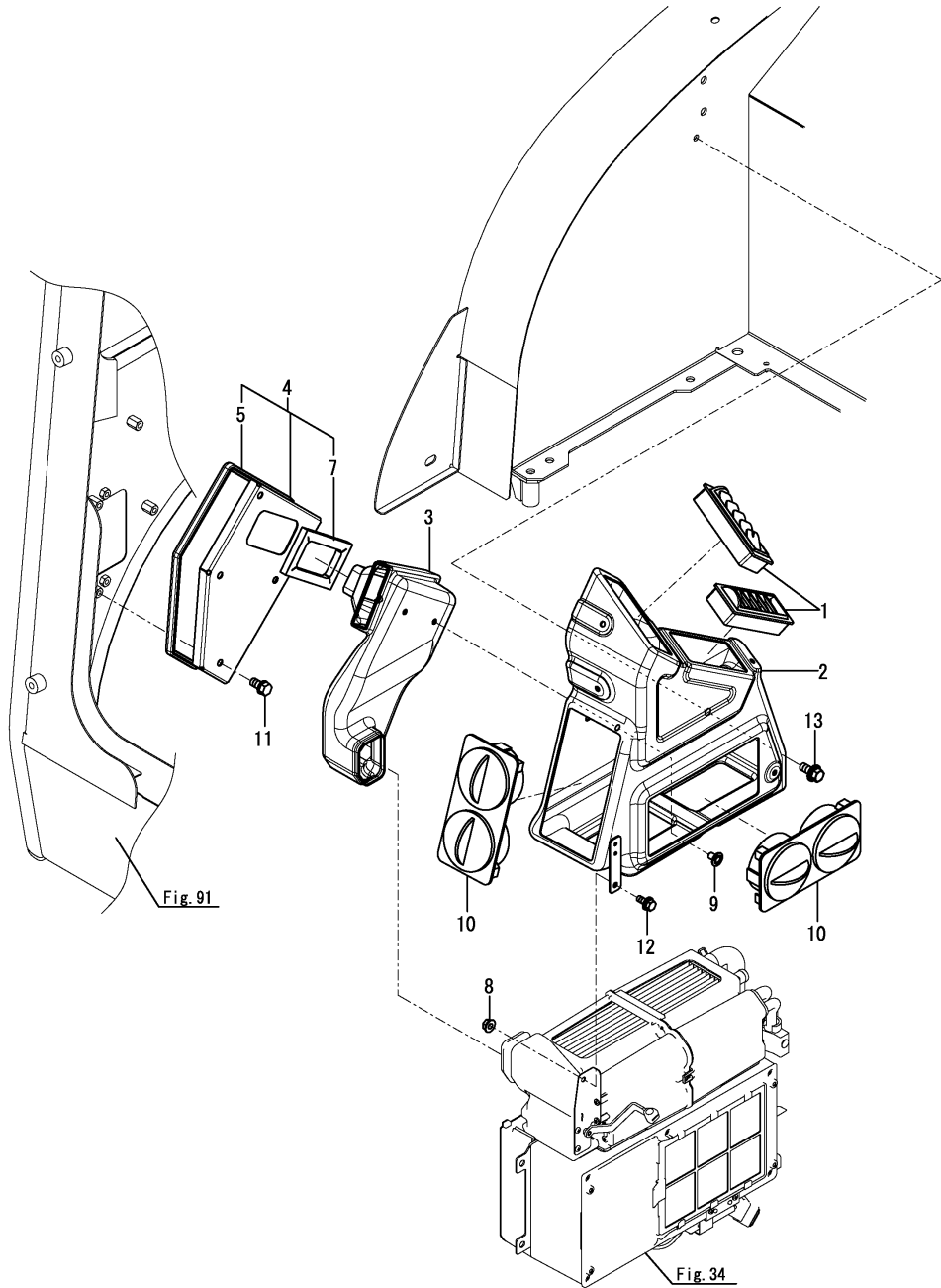
(D)=
 (E)=
 (F)=

No.	Lev.	Parts No.	Description	Q'ty						I	R
				(A)	(B)	(C)	(D)	(E)	(F)		
1	1	172137-16560	BAND		4						
2	1	172B04-16850	HARNESS ASSY,A/C		1						
3	2	1E8235-84910	DIODE, 090 31		1						
4	1	194202-56460	BAND, 200		3						

Fig.40. DUCT(AIR CONDITIONER SPEC.)

(A)=VIO50-6B P(BR)
 (B)=VIO50-6B C(BR)
 (C)=

(D)=
 (E)=
 (F)=



No.	Lev.	Parts No.	Description	Q'ty						I	R
				(A)	(B)	(C)	(D)	(E)	(F)		
1	1	172458-17700	GRILLE		2						
2	1	172B03-18700	DUCT ASSY		1						
3	1	172B03-18740	DUCT		1						
4	1	172B03-18760	DUCT ASSY, INTAKE		1						
5	2	172A65-13290	TRIM		1						
7	2	172B03-18780	SEAL, DUCT		1						
8	1	194990-22130	NUT, M6		1						
9	1	1A8060-84280	RIVET, PUSH		2						
10	1	1A7030-87411	GRILLE ASSY, FRONT		2						
11	1	26013-080162	BOLT, M8X 16		4						
12	1	26014-060162	BOLT, M6X 16		1						
13	1	26014-080202	BOLT, M8X 20		1						

Fig.41. SPROCKET

(A)=VIO50-6B P(BR)
(B)=VIO50-6B C(BR)
(C)=

(D)=
(E)=
(F)=

No.	Lev.	Parts No.	Description	Q'ty						I	R
				(A)	(B)	(C)	(D)	(E)	(F)		
1	1	172B04-29100	SPROCKET, 19	2	2						
2	1	172455-29140	BOLT	24	24						
3	1	22217-140000	WASHER, SPRING 14	24	24						

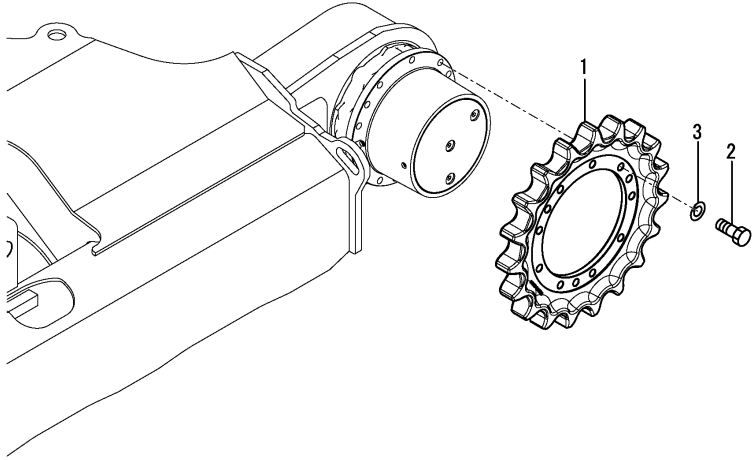
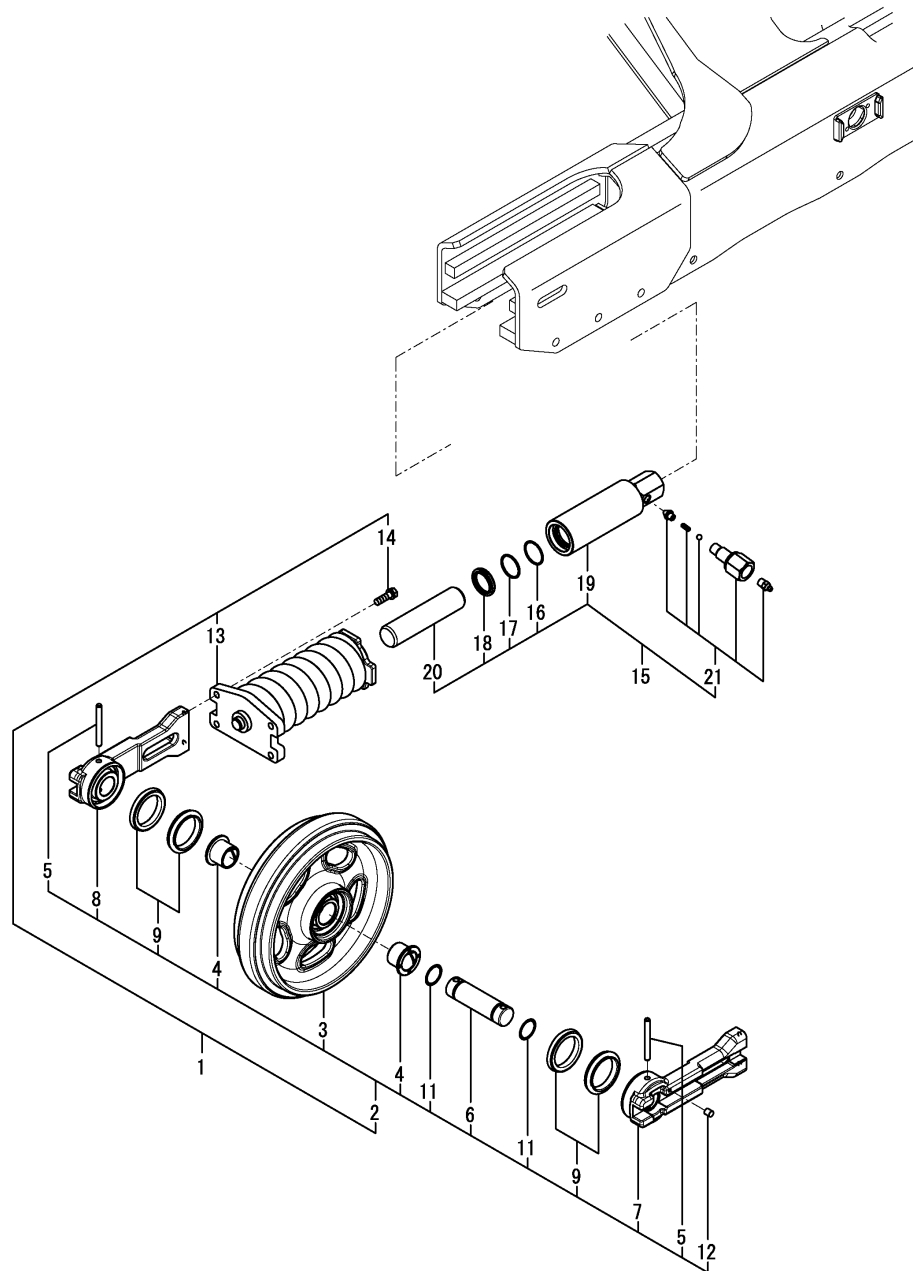


Fig.42. IDLER & ADJUST

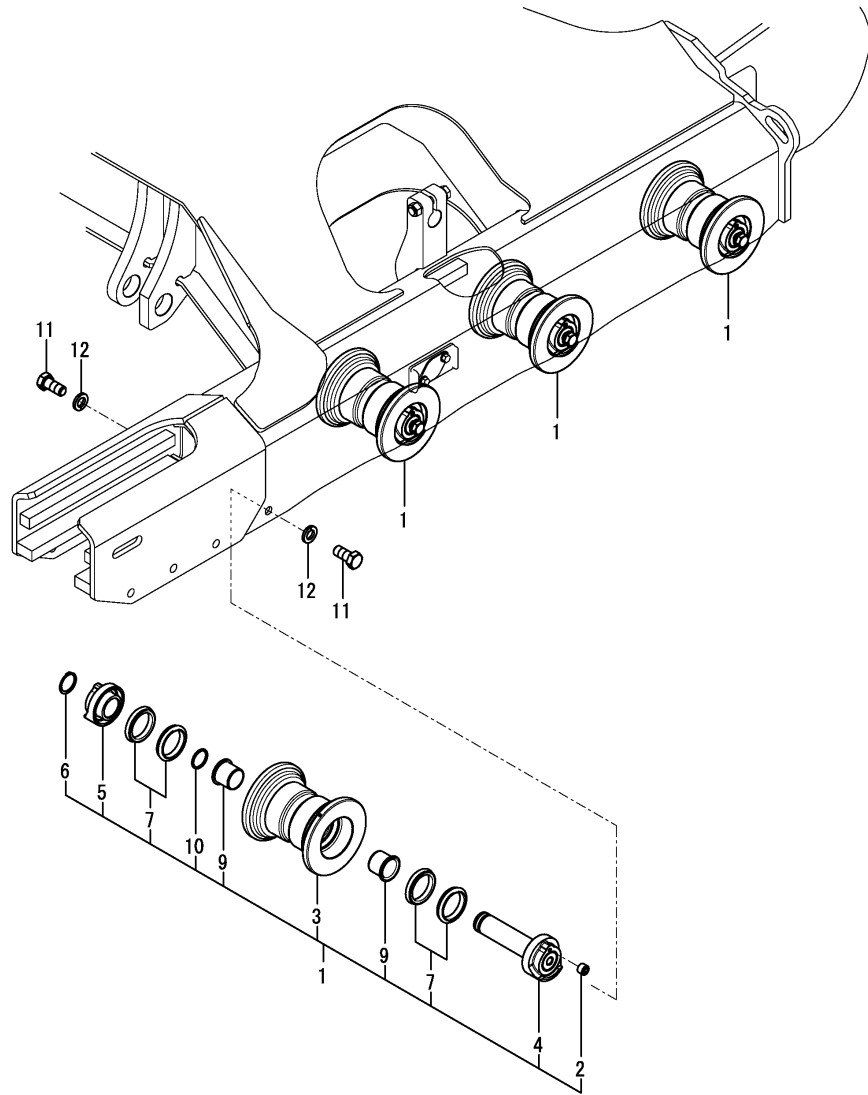


(A)=VIO50-6B P(BR)
 (B)=VIO50-6B C(BR)
 (C)=

(D)=
 (E)=
 (F)=

No.	Lev.	Parts No.	Description	Q'ty						I	R
				(A)	(B)	(C)	(D)	(E)	(F)		
1	1	172B04-37090	IDLER ASSY	2	2						
2	2	172B06-37100	IDLER ASSY,340	2	2						
3	3	172B06-37110	IDLER,340	2	2						
4	3	172B06-37120	BUSH, IDLER	4	4						
5	3	172B06-37130	PIN,10X95	4	4						
6	3	172B06-37140	SHAFT, IDLER	2	2						
7	3	172B06-37150	SEAL, COVER IDLER A	2	2						
8	3	172B06-37160	SEAL, COVER IDLER B	2	2						
9	3	172B04-37200	SEAL KIT, IDLER	4	4						
11	3	172B06-37180	O-RING	4	4						
12	3	172B06-37190	PLUG	2	2						
13	2	172B06-37700	SPRING ASSY, CRAWL	2	2						
14	2	26013-120402	BOLT, M12X 40	8	8						
15	1	172B06-37901	CYLINDER ASSY, ADJUS	2	2						
16	2	172B06-37870	O-RING	2	2						
17	2	172B06-37880	RING, BACK UP	2	2						
18	2	172B06-37890	SEAL, DUST	2	2						
19	2	172B06-37911	TUBE ASSY, ADJUST	2	2						
20	2	172B06-37940	PISTON	2	2						
21	2	172B06-37951	NIPPLE, VALVE	2	2						

Fig.43. TRACK ROLLER

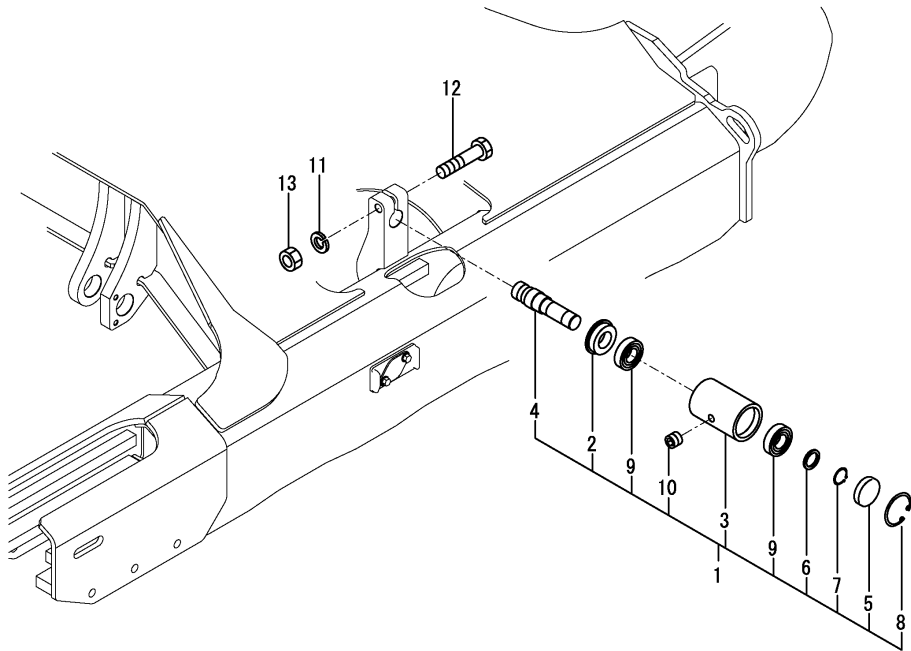


(A)=VIO50-6B P(BR)
 (B)=VIO50-6B C(BR)
 (C)=

(D)=
 (E)=
 (F)=

No.	Lev.	Parts No.	Description	Q'ty						I	R
				(A)	(B)	(C)	(D)	(E)	(F)		
1	1	172B04-37300	ROLLER ASSY, TRACK	8	8						
2	2	172B06-37190	PLUG	8	8						
3	2	172B04-37310	ROLLER, LOWER	8	8						
4	2	172B06-37320	SHAFT ASSY	8	8						
5	2	172B06-37350	COVER,SEAL B	8	8						
6	2	172B06-37360	RING, SNAP	8	8						
7	2	172B04-37220	SEAL KIT, TRACK	16	16						
9	2	172B06-37390	BUSH,TRACK ROLLER	16	16						
10	2	172B06-37400	O-RING	8	8						
11	1	172490-37320	BOLT	16	16						
12	1	22217-160000	WASHER, SPRING 16	16	16						

Fig.44. CARRIER ROLLER



(A)=VIO50-6B P(BR)
 (B)=VIO50-6B C(BR)
 (C)=

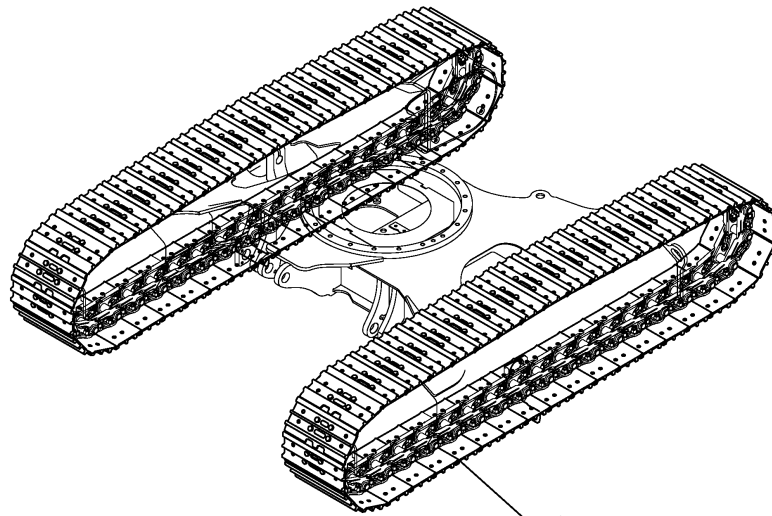
(D)=
 (E)=
 (F)=

No.	Lev.	Parts No.	Description	Q'ty						I	R
				(A)	(B)	(C)	(D)	(E)	(F)		
1	1	172478-37501	ROLLER ASSY, CARRIER	2	2						
2	2	172164-37351	SEAL, OIL	2	2						
3	2	172478-37511	ROLLER, CARRIER	2	2						
4	2	172478-37521	SHAFT,CARRIER ROLLER	2	2						
5	2	172478-37540	CAP, ROLLER	2	2						
6	2	172478-37550	WASHER, CARRIER	2	2						
7	2	22242-000300	RING, 30	2	2						
8	2	22252-000621	RING, 62	2	2						
9	2	24105-062064	BEARING, BALL 6206Z	4	4						
10	2	933171-13691	PLUG, PT1/8	2	2						
11	1	22217-160000	WASHER, SPRING 16	2	2						
12	1	26116-160852	BOLT, M16X 85 PLATED	2	2						
13	1	26716-160002	NUT, M16	2	2						

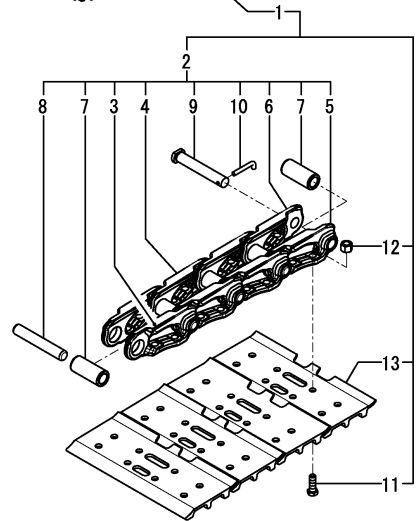
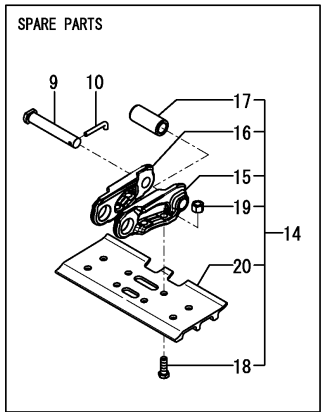
Fig.45. IRON CRAWLER

(A)=VIO50-6B P(BR)
 (B)=VIO50-6B C(BR)
 (C)=

(D)=
 (E)=
 (F)=



No.	Lev.	Parts No.	Description	Q'ty						I	R
				(A)	(B)	(C)	(D)	(E)	(F)		
1	1	172B04-38400	SHOE ASSY, TRACK 350	2	2						
2	2	172B05-38120	LINK ASSY, TRACK 400	2	2						
3	3	172B05-38130	LINK, TRACK L	78	78						
4	3	172B05-38140	LINK, TRACK R	78	78						
5	3	172B05-38150	LINK, MASTER L	2	2						
6	3	172B05-38160	LINK, MASTER R	2	2						
7	3	172B05-38170	BUSH, TRACK	80	80						
8	3	172B05-38180	PIN, TRACK	78	78						
9	3	172B05-38190	PIN, MASTER	2	2						
10	3	172B05-38200	PIN, CLAMPING	2	2						
11	2	172B05-38210	BOLT, SHOE	320	320						
12	2	172B05-38220	NUT, SHOE	320	320						
13	2	172B04-38410	SHOE, TRACK 350	80	80						
14	1	172B04-38500	TRACK, MASTER 350	1	1						1
15	2	172B05-38150	LINK, MASTER L	1	1						
16	2	172B05-38160	LINK, MASTER R	1	1						
17	2	172B05-38170	BUSH, TRACK	1	1						
18	2	172B05-38210	BOLT, SHOE	4	4						
19	2	172B05-38220	NUT, SHOE	4	4						
20	2	172B04-38410	SHOE, TRACK 350	1	1						

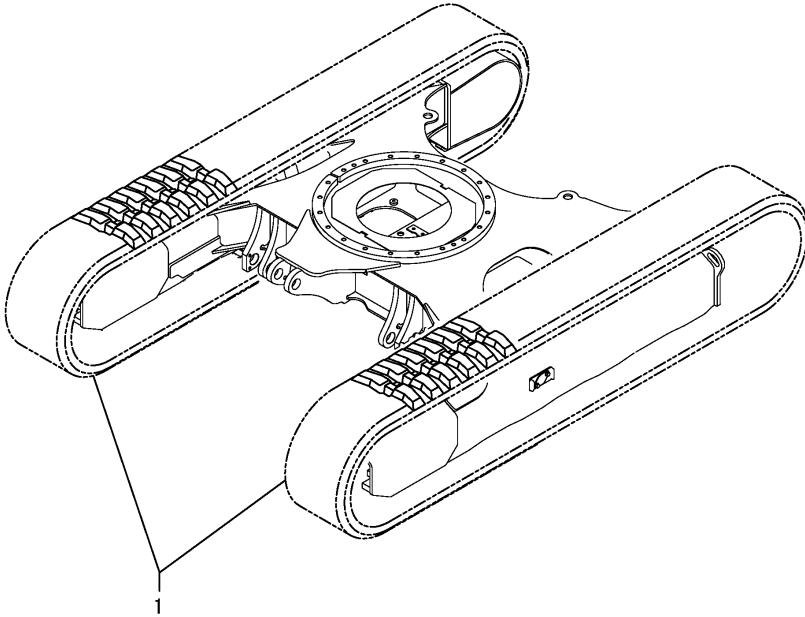


Remarks
 (1)Spare parts.

Fig.46. RUBBER CRAWLER

(A)=VIO50-6B P(BR)
(B)=VIO50-6B C(BR)
(C)=

(D)=
(E)=
(F)=

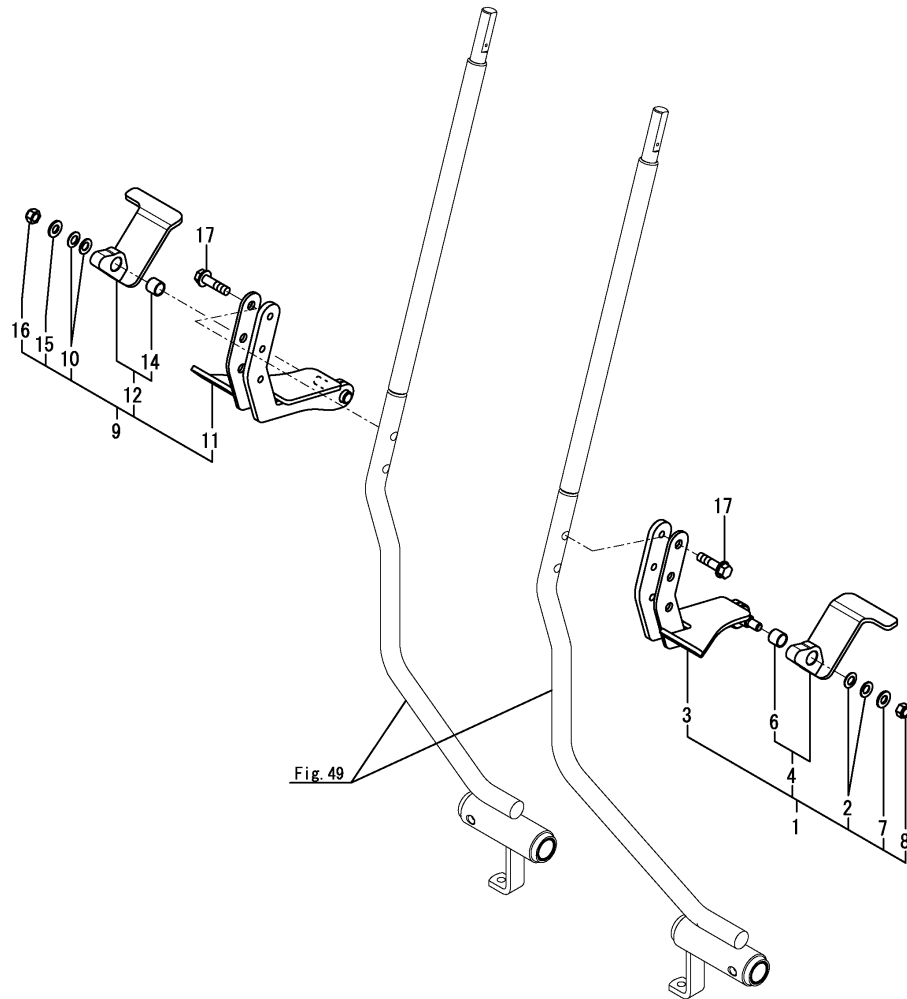


No.	Lev.	Parts No.	Description	Q'ty						I	R													
				(A)	(B)	(C)	(D)	(E)	(F)															
1	1	172B04-38600	CRAWLER, RUBBER 350	2	2																			

Fig.47. TRAVEL PEDAL

(A)=VIO50-6B P(BR)
 (B)=VIO50-6B C(BR)
 (C)=

(D)=
 (E)=
 (F)=



No.	Lev.	Parts No.	Description	Q'ty						I	R
				(A)	(B)	(C)	(D)	(E)	(F)		
1	1	172B03-44600	PEDAL ASSY, TRACK L	1	1						
2	2	172068-28490	SPRING	2	2						
3	2	172B03-44610	PEDAL ASSY, TRACK FL	1	1						
4	2	172B03-44650	PEDAL ASSY, TRACK RL	1	1						
6	3	172110-45050	BUSH, 12X12	1	1						
7	2	22137-080000	WASHER, 8	1	1						
8	2	26347-080002	NUT, M8	1	1						
9	1	172B03-44700	PEDAL ASSY, TRACK R	1	1						
10	2	172068-28490	SPRING	2	2						
11	2	172B03-44710	PEDAL ASSY, TRACK FR	1	1						
12	2	172B03-44750	PEDAL ASSY, TRACK RR	1	1						
14	3	172110-45050	BUSH, 12X12	1	1						
15	2	22137-080000	WASHER, 8	1	1						
16	2	26347-080002	NUT, M8	1	1						
17	1	26106-080302	BOLT, M8X 30 PLATED	4	4						

Fig.48. VALVE MOUNT

(A)=VIO50-6B P(BR)
 (B)=VIO50-6B C(BR)
 (C)=

(D)=
 (E)=
 (F)=

No.	Lev.	Parts No.	Description	Q'ty						I	R
				(A)	(B)	(C)	(D)	(E)	(F)		
1	1	172B03-45602	MOUNT ASSY, LINK	1	1						
2	1	22157-100000	WASHER, 10	2	2						
3	1	26013-100202	BOLT, M10X 20	4	4						
4	1	26013-100252	BOLT, M10X 25	2	2						

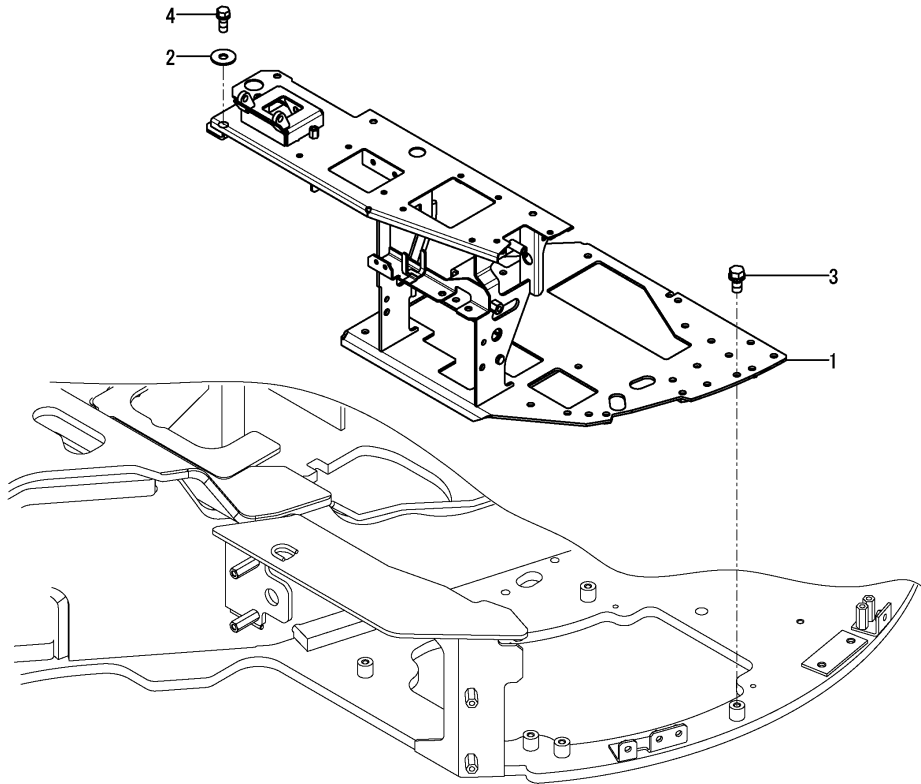
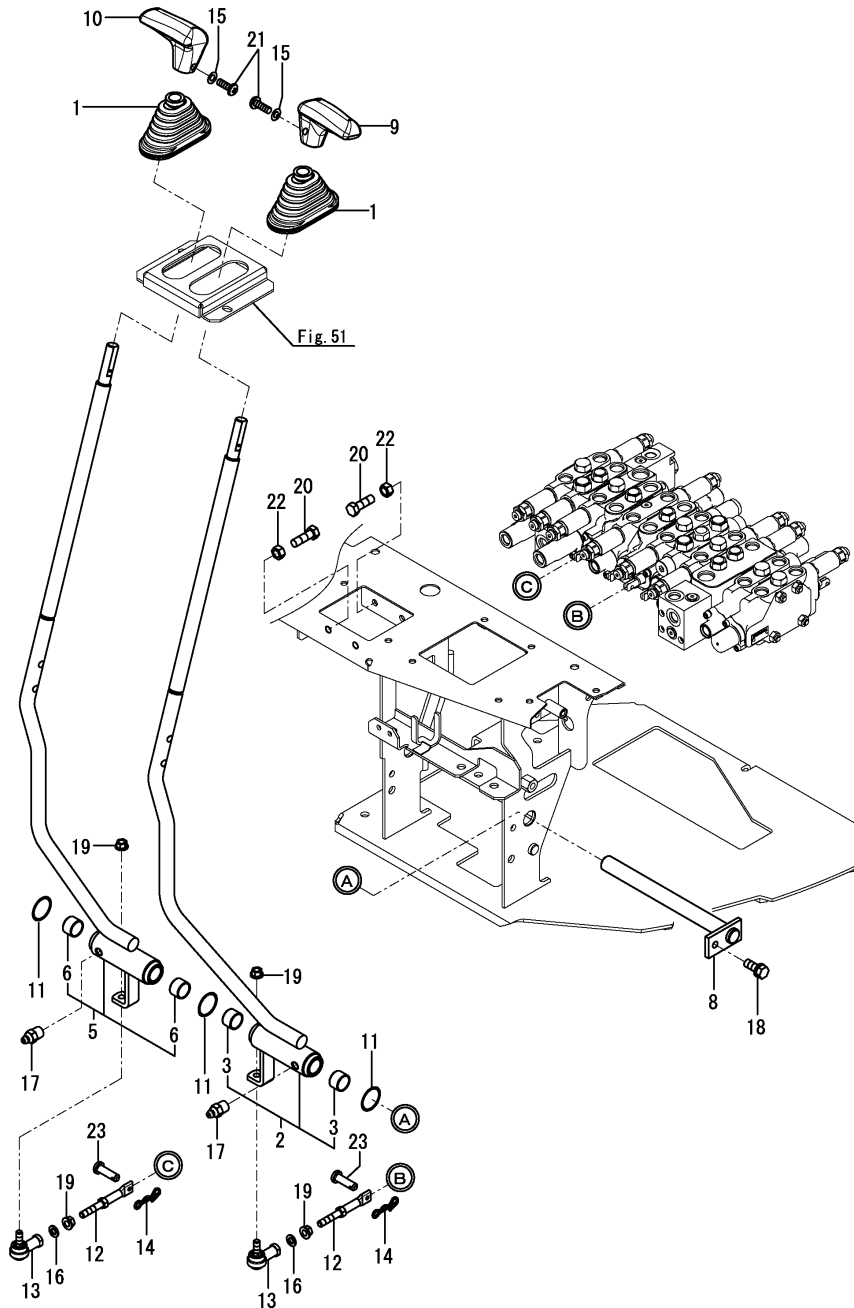


Fig.49. TRAVEL LEVER

(A)=VIO50-6B P(BR)
 (B)=VIO50-6B C(BR)
 (C)=

(D)=
 (E)=
 (F)=

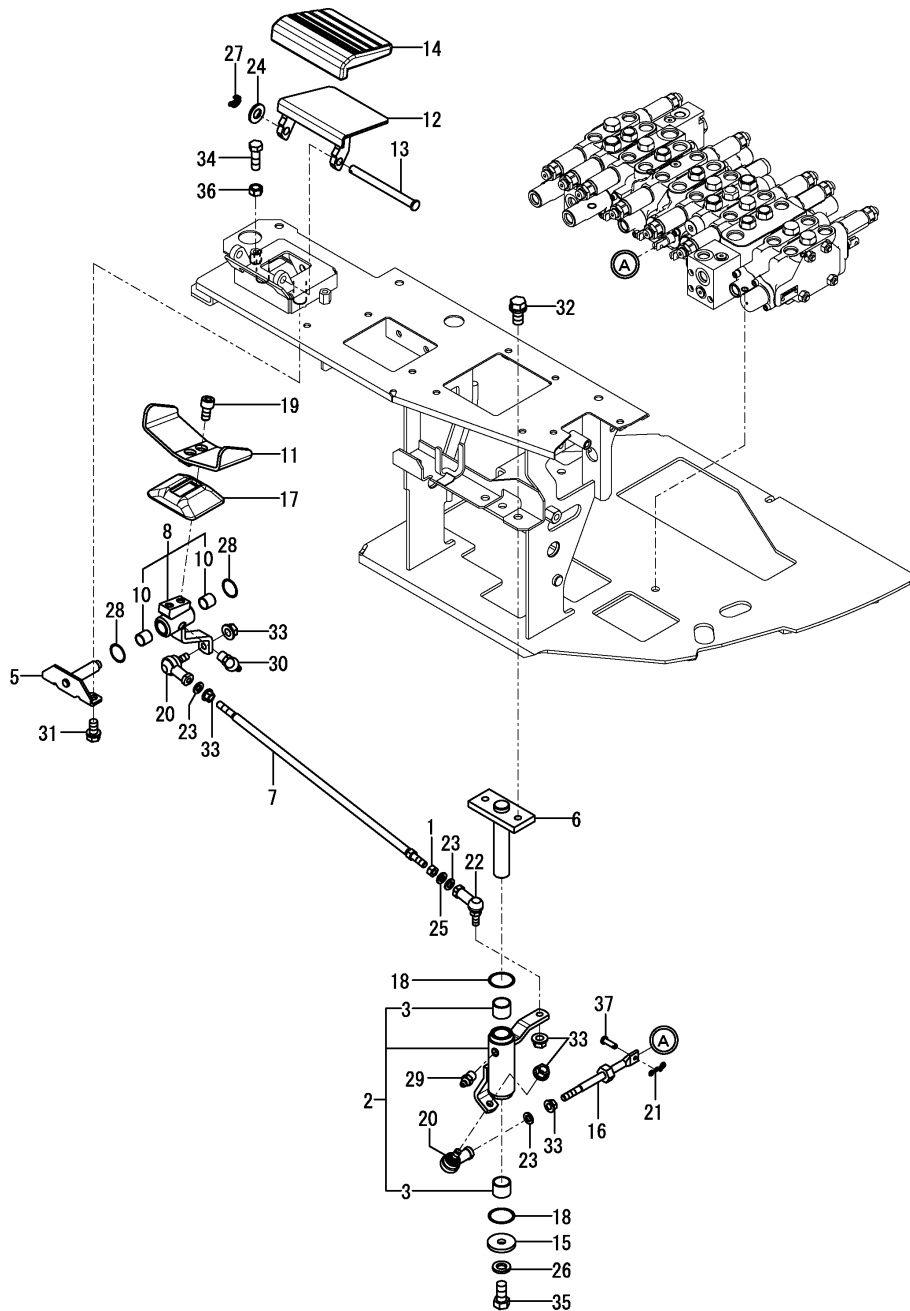


No.	Lev.	Parts No.	Description	Q'ty						I	R
				(A)	(B)	(C)	(D)	(E)	(F)		
1	1	172141-41340	BOOT	2	2						
2	1	172B03-45101	LEVER ASSY, TRACK L	1	1						
3	2	172141-41370	BUSH, 20 15	2	2						
5	1	172B03-45151	LEVER ASSY, TRACK R	1	1						
6	2	172141-41370	BUSH, 20 15	2	2						
8	1	172B03-45401	SHAFT ASSY	1	1						
9	1	172187-45870	GRIP, DRIVE L	1	1						
10	1	172187-45880	GRIP, DRIVE R	1	1						
11	1	172124-46200	O-RING	3	3						
12	1	172124-46340-2	ROD ASSY, SPOOL A	2	2						
13	1	172122-46590	ELBOW, 8	2	2						
14	1	1C6281-52310	PIN, SNAP 6	2	2						
15	1	22117-040000	WASHER, 4	2	2						
16	1	22117-080000	WASHER, 8	2	2						
17	1	24761-020000	NIPPLE, GREASE PT1/8	2	2						
18	1	26013-080202	BOLT, M8X 20	1	1						
19	1	26051-080002	NUT, M8	4	4						
20	1	26116-080304	BOLT, M8X 30 PLATED	4	4						
21	1	26587-040122	SCREW, M4X12	2	2						
22	1	26716-080002	NUT, M8	4	4						
23	1	933110-54100	PIN, 4.75X14	2	2						

Fig.50. SWING PEDAL

(A)=VIO50-6B P(BR)
 (B)=VIO50-6B C(BR)
 (C)=

(D)=
 (E)=
 (F)=

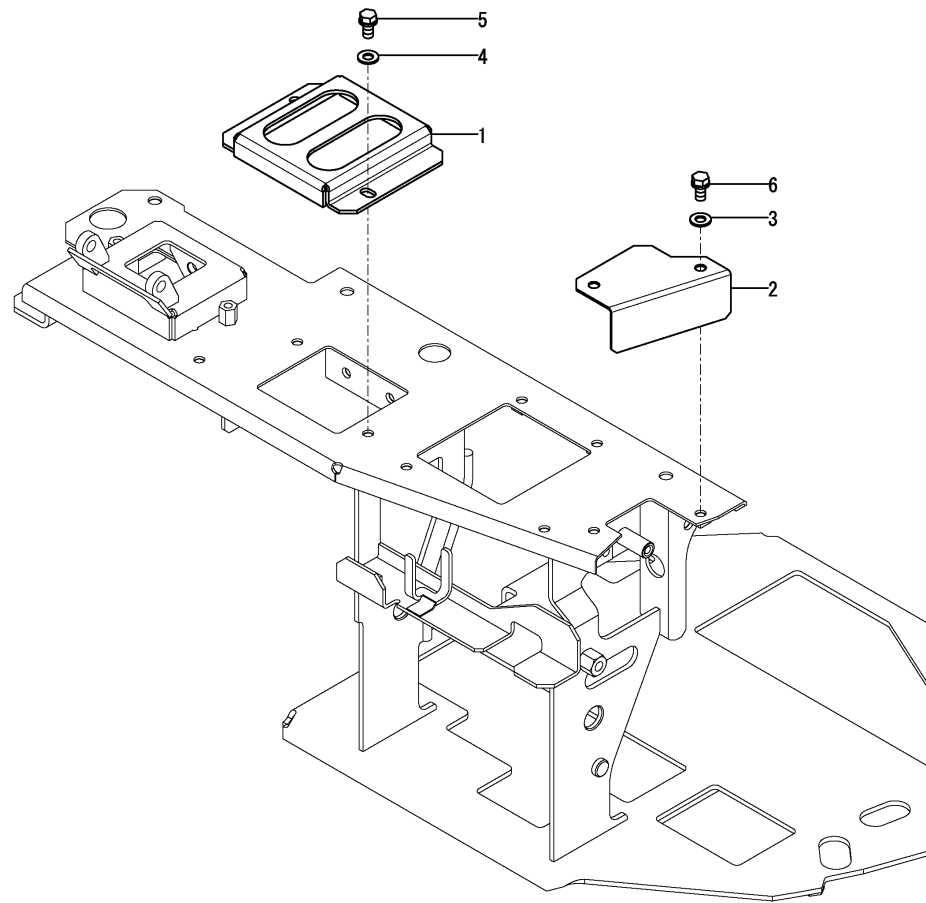


No.	Lev.	Parts No.	Description	Q'ty						I	R
				(A)	(B)	(C)	(D)	(E)	(F)		
1	1	194200-37780	NUT, M8	1	1						
2	1	172B03-45200	LINK ASSY, SWING	1	1						
3	2	172141-41370	BUSH, 20 15	2	2						
5	1	172458-45230-1	SHAFT, PEDAL	1	1						
6	1	172B03-45250	BRACKET, SWING	1	1						
7	1	172B03-45300	ROD ASSY, 420	1	1						
8	1	172B03-45320	LINK ASSY, PEDAL	1	1						
10	2	24550-014150	BUSH, 14X15	2	2						
11	1	172458-45521-1	PEDAL, SWING	1	1						
12	1	172458-45540-1	COVER, PEDAL	1	1						
13	1	172187-45651	SHAFT	1	1						
14	1	172187-45760	PAD	1	1						
15	1	1A1040-45890	WASHER, 10X36X4.5	1	1						
16	1	172823-45940	ROD ASSY	1	1						
17	1	172157-45990	BOOT, PEDAL	1	1						
18	1	172124-46200	O-RING	2	2						
19	1	172165-46340	BOLT	2	2						
20	1	172122-46590	ELBOW, 8	1	1						
21	1	1C6281-52310	PIN, SNAP 6	1	1						
22	1	1E6740-64200	BALL, LINK BL8DL	1	1						
23	1	22117-080000	WASHER, 8	3	3						
24	1	22137-100000	WASHER, 10	1	1						
25	1	22217-080000	WASHER, SPRING 8	1	1						
26	1	22217-100000	WASHER, SPRING 10	1	1						
27	1	22417-250200	PIN, COTTER 2.5X20	1	1						
28	1	24311-000210	O-RING, 1AP21.0	2	2						
29	1	24761-020000	NIPPLE, GREASE PT1/8	1	1						
30	1	24761-040000	NIPPLE, GREASE B	1	1						
31	1	26013-080162	BOLT, M8X 16	2	2						
32	1	26013-100202	BOLT, M10X 20	2	2						
33	1	26051-080002	NUT, M8	5	5						
34	1	26116-080254	BOLT, M8X 25 PLATED	2	2						
35	1	26116-100202	BOLT, M10X 20 PLATED	1	1						
36	1	26716-080002	NUT, M8	2	2						
37	1	933110-54100	PIN, 4.75X14	1	1						

Fig.51. LINK COVER

(A)=VIO50-6B P(BR)
(B)=VIO50-6B C(BR)
(C)=

(D)=
(E)=
(F)=



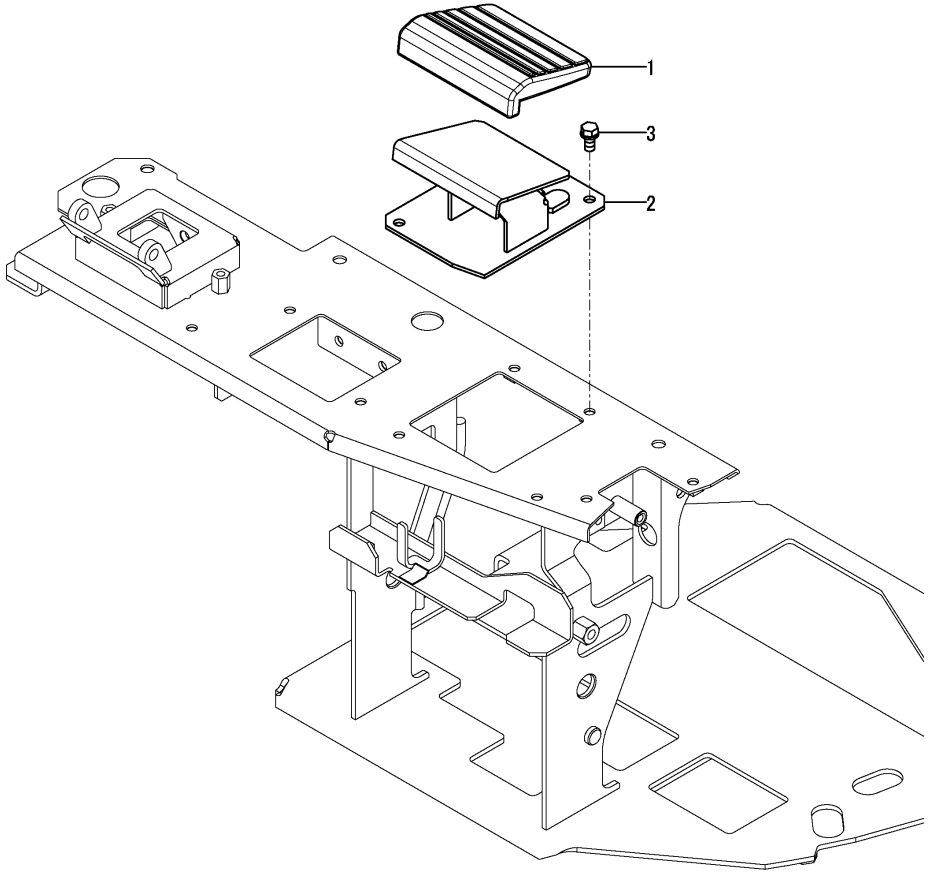
No.	Lev.	Parts No.	Description	Q'ty							
				(A)	(B)	(C)	(D)	(E)	(F)		
1	1	172458-45510-1	BRACKET, BOOT	1	1						
2	1	172B03-45580	COVER, NO 2ND	1	1						
3	1	22137-080000	WASHER, 8	2	2						
4	1	22137-080000	WASHER, 8	2	2						
5	1	26013-080162	BOLT, M8X 16	2	2						
6	1	26013-080162	BOLT, M8X 16	2	2						

Fig.52. PEDAL COVER

(A)=VIO50-6B P(BR)
 (B)=VIO50-6B C(BR)
 (C)=

(D)=
 (E)=
 (F)=

No.	Lev.	Parts No.	Description	Q'ty						I	R
				(A)	(B)	(C)	(D)	(E)	(F)		
1	1	172187-45760	PAD	1	1						
2	1	172B03-46810	COVER ASSY	1	1						
3	1	26013-080162	BOLT, M8X 16	3	3						



N:Old $\xrightarrow{\text{Yes}}$ New, Q:Old $\xrightarrow{\text{No}}$ New, R:Old $\xrightarrow{\text{Yes}}$ New, S:Old $\xrightarrow{\text{No}}$ New, W:Add, Z:Discontinued, F:Interchangeable by set, K:Q'ty Change
 Copyright (C) 2017 YANMAR CO., LTD. All RightsReserved.

Fig.53. LEVER SPACER

(A)=VIO50-6B P(BR)
 (B)=VIO50-6B C(BR)
 (C)=

(D)=
 (E)=
 (F)=

No.	Lev.	Parts No.	Description	Q'ty						I	R
				(A)	(B)	(C)	(D)	(E)	(F)		
1	1	172B03-46010	SPACER ASSY, L	1	1						
2	1	172B03-46060	SPACER ASSY, R	1	1						
3	1	26014-060202	BOLT, M6X 20	2	2						
4	1	26014-060202	BOLT, M6X 20	2	2						

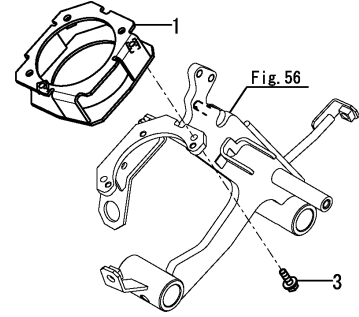
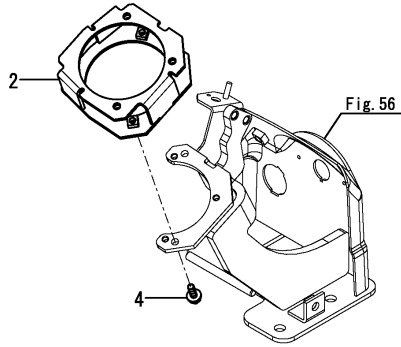


Fig.54. BLADE LEVER

(A)=VIO50-6B P(BR)
 (B)=VIO50-6B C(BR)
 (C)=

(D)=
 (E)=
 (F)=

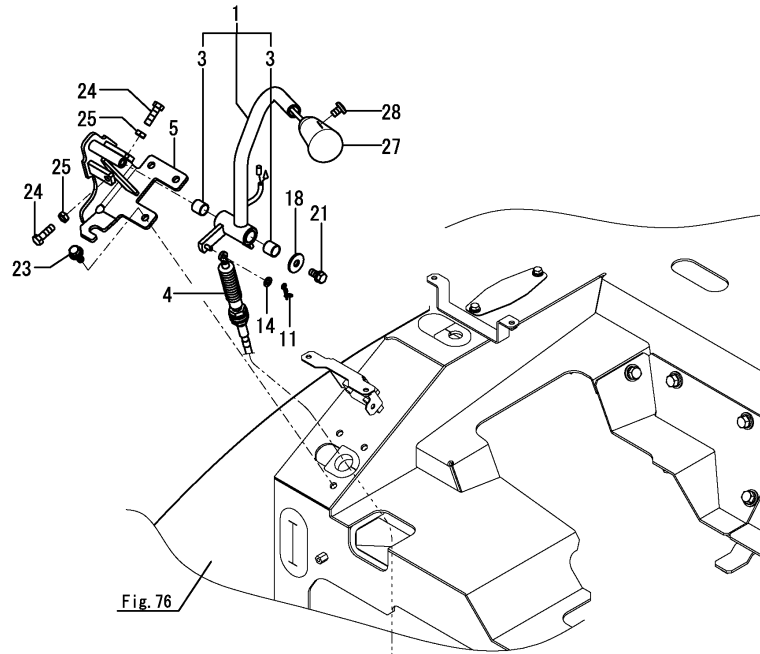


Fig. 76

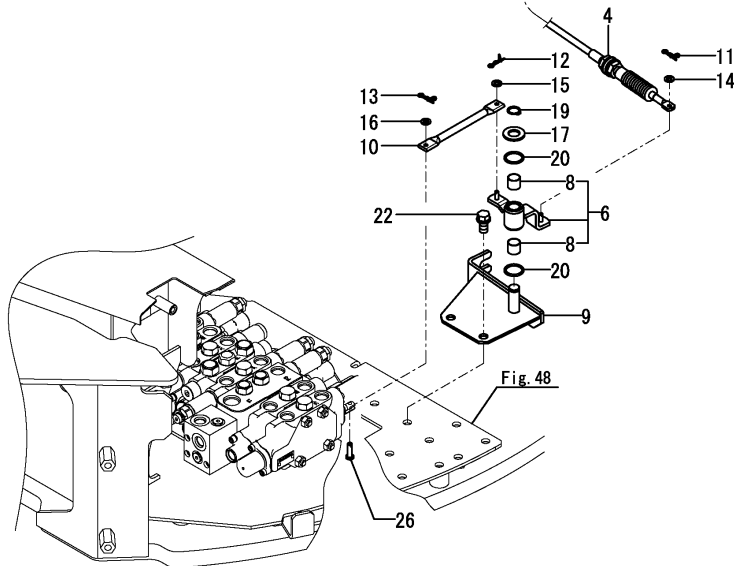


Fig. 48

No.	Lev.	Parts No.	Description	Q'ty						I	R
				(A)	(B)	(C)	(D)	(E)	(F)		
1	1	172B03-45450	LEVER ASSY, BLADE EX	1	1						
3	2	24550-014150	BUSH, 14X15	2	2						
4	1	172B03-45800	CABLE, BLADE	1	1						
5	1	172B03-45850	BRACKET ASSY, BLADE	1	1						
6	1	172B03-45900	BOSS ASSY, LINK	1	1						
8	2	24550-014150	BUSH, 14X15	2	2						
9	1	172B03-45950	SHAFT ASSY, LINK	1	1						
10	1	172B03-45990	ROD, 130	1	1						
11	1	1C6281-52310	PIN, SNAP 6	2	2						
12	1	1C6281-52310	PIN, SNAP 6	1	1						
13	1	1C6281-52310	PIN, SNAP 6	1	1						
14	1	22137-050000	WASHER, 5	2	2						
15	1	22137-050000	WASHER, 5	1	1						
16	1	22137-050000	WASHER, 5	1	1						
17	1	22137-140000	WASHER, 14	1	1						
18	1	22157-080000	WASHER, 8	1	1						
19	1	22242-000140	RING, 14	1	1						
20	1	24311-000210	O-RING, 1AP21.0	2	2						
21	1	26013-080162	BOLT, M8X 16	1	1						
22	1	26013-100202	BOLT, M10X 20	2	2						
23	1	26014-080202	BOLT, M8X 20	3	3						
24	1	26116-080252	BOLT, M8X 25 PLATED	2	2						
25	1	26756-080002	NUT, LOCK M8	2	2						
26	1	933110-54100	PIN, 4.75X14	1	1						
27	1	172B03-17500	KNOB ASSY, BLADE SW	1	1						
28	1	26587-040062	SCREW, M4X 6	1	1						

Fig.55. ARMREST

(A)=VIO50-6B P(BR)
 (B)=VIO50-6B C(BR)
 (C)=

(D)=
 (E)=
 (F)=

No.	Lev.	Parts No.	Description	Q'ty						I	R
				(A)	(B)	(C)	(D)	(E)	(F)		
1	1	172441-44320	ARMREST	2	2						
2	1	172A46-46500	GUIDE ASSY	1	1						
3	1	172A46-46530	PLATE, GUIDE	1	1						
4	1	172519-63240	BOLT	4	4						
5	1	172519-63240	BOLT	4	4						

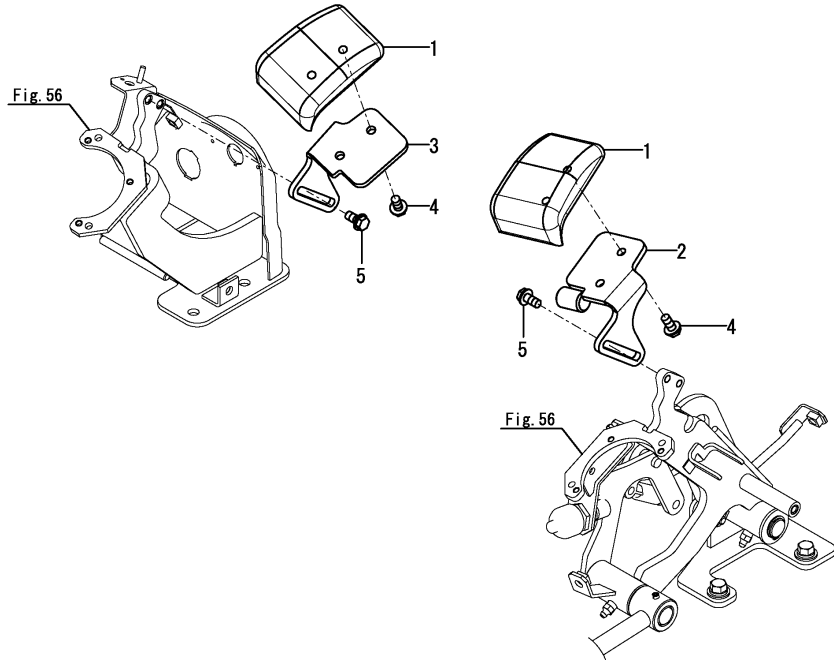
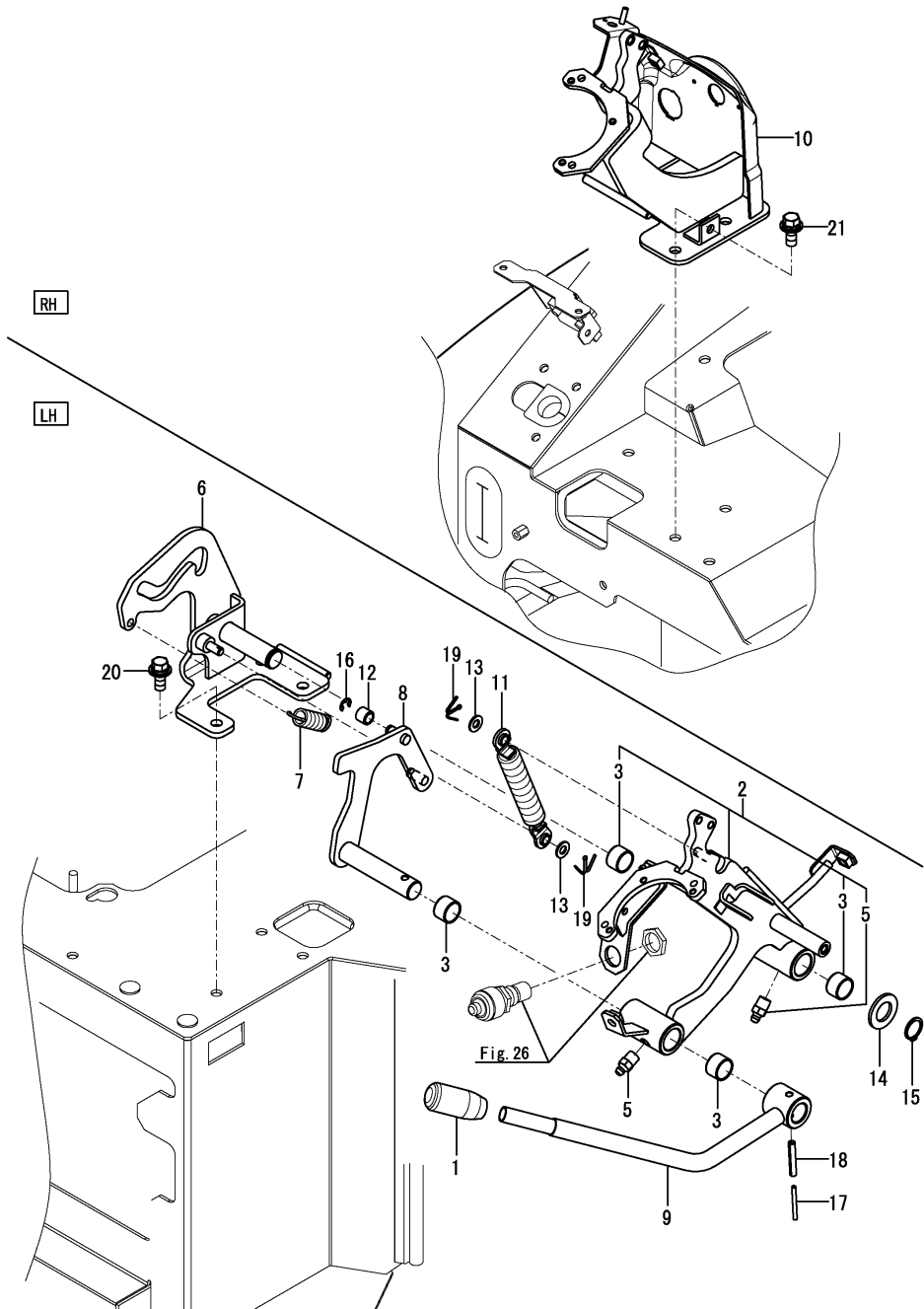


Fig.56. LOCK LEVER & STAND

(A)=VIO50-6B P(BR)
 (B)=VIO50-6B C(BR)
 (C)=

(D)=
 (E)=
 (F)=



No.	Lev.	Parts No.	Description	Q'ty						I	R
				(A)	(B)	(C)	(D)	(E)	(F)		
1	1	172A77-46050	GRIP	1	1						
2	1	172B03-46100	STAND ASSY, LEVER	1	1						
3	2	172141-41370	BUSH, 20 15	4	4						
5	2	24761-020000	NIPPLE, GREASE PT1/8	2	2						
6	1	172B03-46200	BASE ASSY, LEVER L	1	1						
7	1	172A69-46270	SPRING, 2.3X15X60	1	1						
8	1	172B03-46310	ROD ASSY, GUIDE	1	1						
9	1	172B03-46350	LEVER ASSY, LOCK L	1	1						
10	1	172B03-46400	STAND ASSY, LEVER	1	1						
11	1	172455-46890	SPRING, GAS	1	1						
12	1	172165-47550	BUSH	1	1						
13	1	22137-080000	WASHER, 8	2	2						
14	1	22137-200000	WASHER, 20	1	1						
15	1	22242-000200	RING, 20	1	1						
16	1	22272-000070	RING, E- 7	1	1						
17	1	22351-035040	PIN, SPRING 3.5X40	1	1						
18	1	22351-060040	PIN, SPRING 6.0X40	1	1						
19	1	22417-200200	PIN, COTTER 2.0X20	2	2						
20	1	26014-100252	BOLT, M10X 25	3	3						
21	1	26014-100252	BOLT, M10X 25	3	3						

Fig.57. TRAVEL FRAME

(A)=VIO50-6B P(BR)
 (B)=VIO50-6B C(BR)
 (C)=

(D)=
 (E)=
 (F)=

No.	Lev.	Parts No.	Description	Q'ty						I	R
				(A)	(B)	(C)	(D)	(E)	(F)		
1	1	172B04-50100	FRAME ASSY, LOWER	1	1						
2	1	172458-50480-2	COVER, FRAME	2	2						
3	1	26106-100122	BOLT, M10X 12 PLATED	4	4						
4	1	172141-50890	GROMMET	1	1						

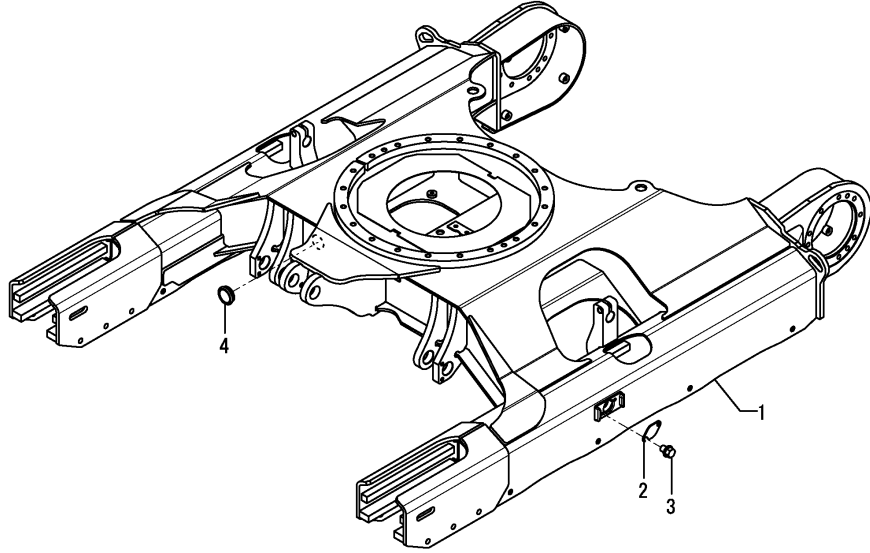
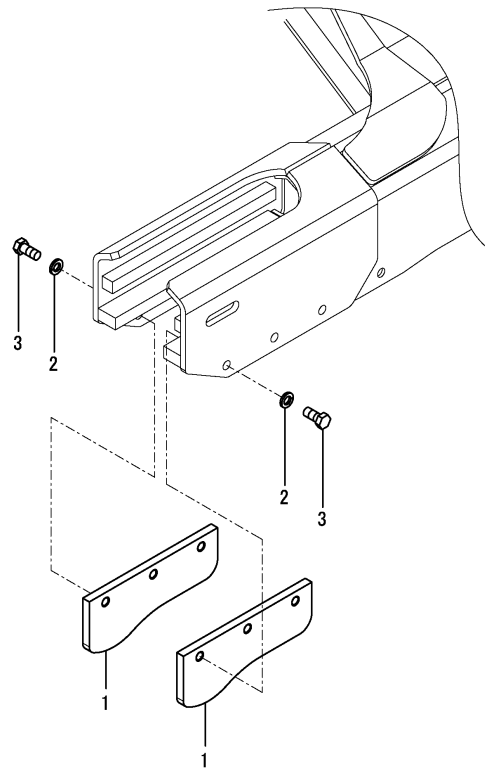


Fig.58. CRAWLER GUARD



(A)=VIO50-6B P(BR)
 (B)=VIO50-6B C(BR)
 (C)=

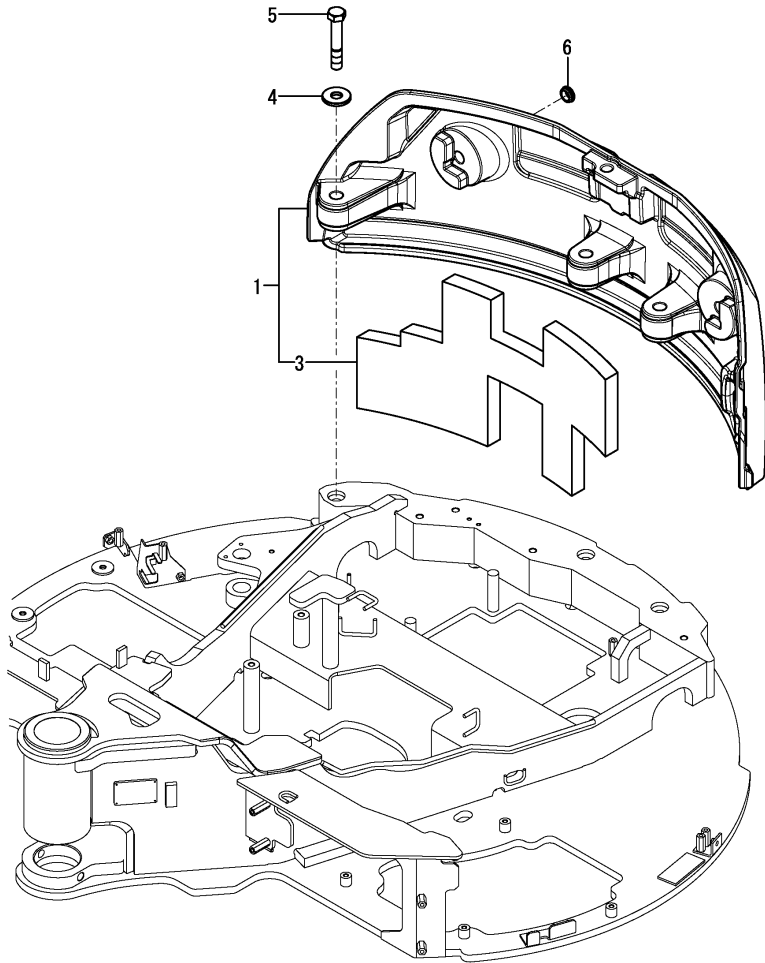
(D)=
 (E)=
 (F)=

No.	Lev.	Parts No.	Description	Q'ty						I	R
				(A)	(B)	(C)	(D)	(E)	(F)		
1	1	172423-50810-3	GUARD, CRAWLER	4	4						1
2	1	22217-160000	WASHER, SPRING 16	12	12						
3	1	26116-160352	BOLT, M16X 35 PLATED	12	12						

Remarks

(1)Iron crawler specification.

Fig.59. COUNTER WEIGHT



(A)=VIO50-6B P(BR)
 (B)=VIO50-6B C(BR)
 (C)=

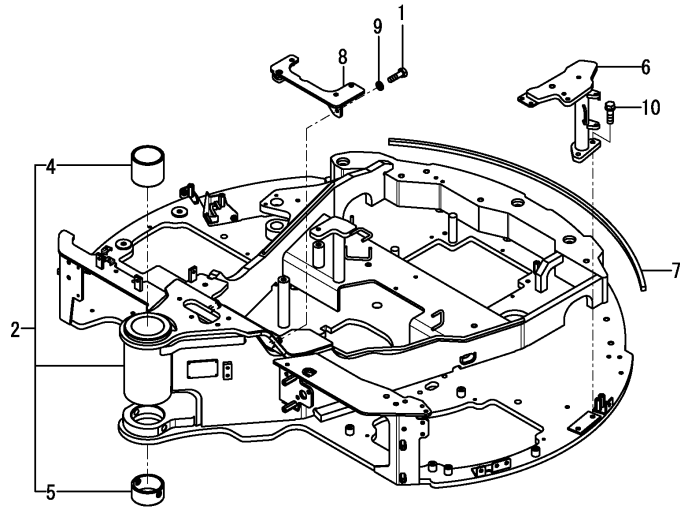
(D)=
 (E)=
 (F)=

No.	Lev.	Parts No.	Description	Q'ty						I	R
				(A)	(B)	(C)	(D)	(E)	(F)		
1	1	172B04-53300	WEIGHT ASSY,1550	1	1						
3	2	172B04-53330	SPONGE,WEIGHT	1	1						
4	1	172187-53321	WASHER	3	3						
5	1	172455-53331	BOLT	3	3						
6	1	172456-53700	GROMMET	2	2						

Fig.60. TURNING FRAME

(A)=VIO50-6B P(BR)
 (B)=VIO50-6B C(BR)
 (C)=

(D)=
 (E)=
 (F)=



No.	Lev.	Parts No.	Description	Q'ty						I	R
				(A)	(B)	(C)	(D)	(E)	(F)		
1	1	172A21-13100	BOLT	2	2						
2	1	172B04-54101	FRAME ASSY, TURNING	1	1						
4	2	172B04-54900	BUSH, 90X90	1	1						
5	2	172B04-54910	BUSH, 90X51	1	1						
6	1	172B04-54800	MOUNT ASSY, FRAME	1	1						
7	1	172B05-54810	SEAL,1540	1	1						
8	1	172B04-54950	BRACKET ASSY	1	1						
9	1	22217-100000	WASHER, SPRING 10	2	2						
10	1	26013-120402	BOLT, M12X 40	2	2						

Fig.61. TURNING BEARING

(A)=VIO50-6B P(BR)
 (B)=VIO50-6B C(BR)
 (C)=

(D)=
 (E)=
 (F)=

No.	Lev.	Parts No.	Description	Q'ty						I	R
				(A)	(B)	(C)	(D)	(E)	(F)		
1	1	172B04-57600	BEARING ASSY,TURNING	1	1						
2	2	172B04-57610	SEAL, BEARING	2	2						
3	1	172122-57620	PIN, PARALLEL 13X36	4	4						
4	1	172455-57650	BOLT	20	20						
5	1	172A79-57660	BOLT	20	20						

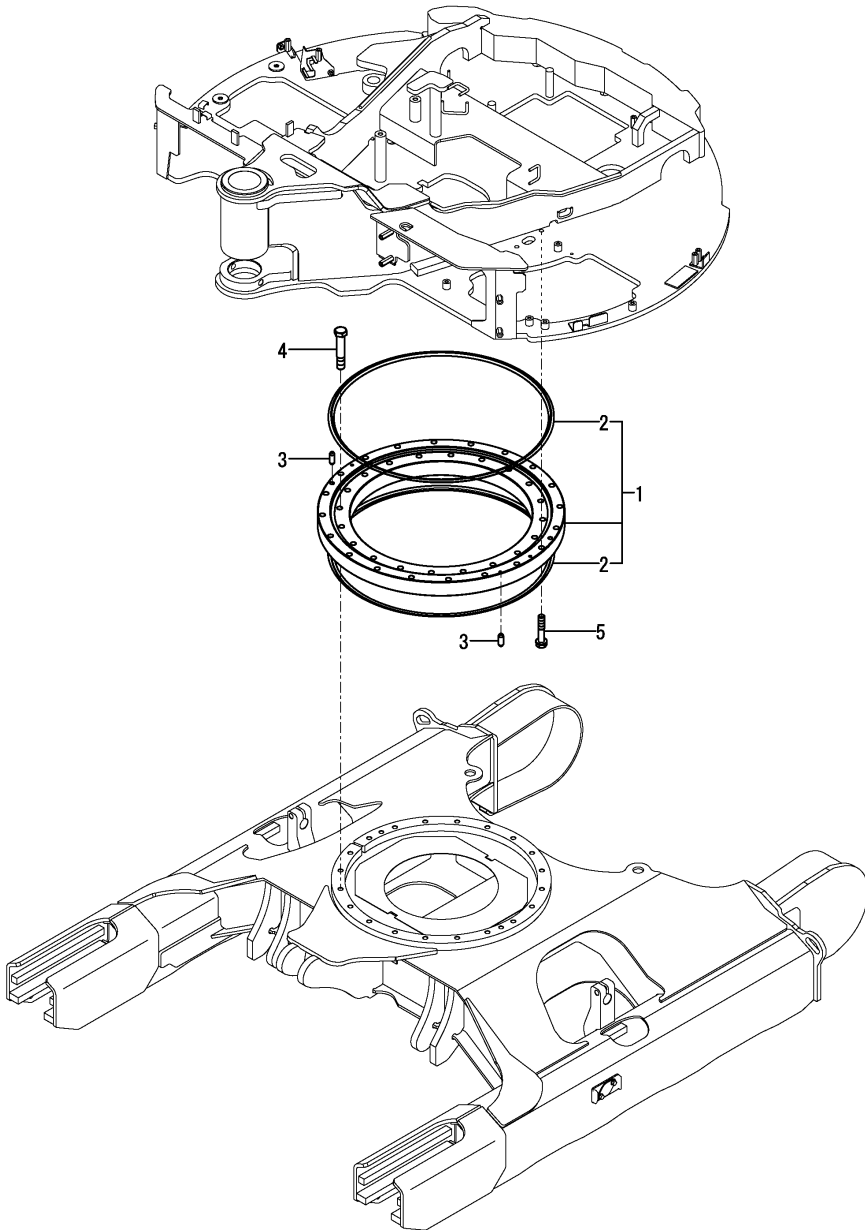
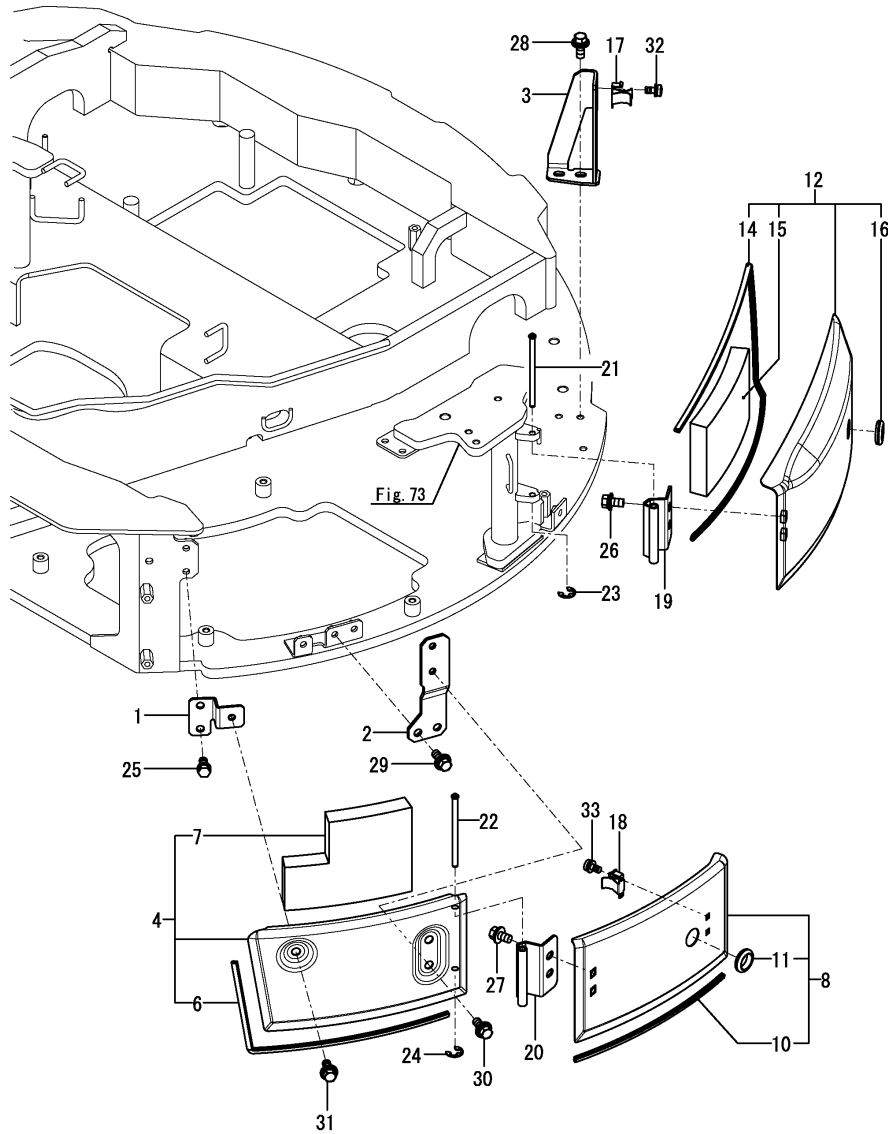


Fig.62. COVER(MULTI)

(A)=VIO50-6B P(BR)
 (B)=VIO50-6B C(BR)
 (C)=

(D)=
 (E)=
 (F)=



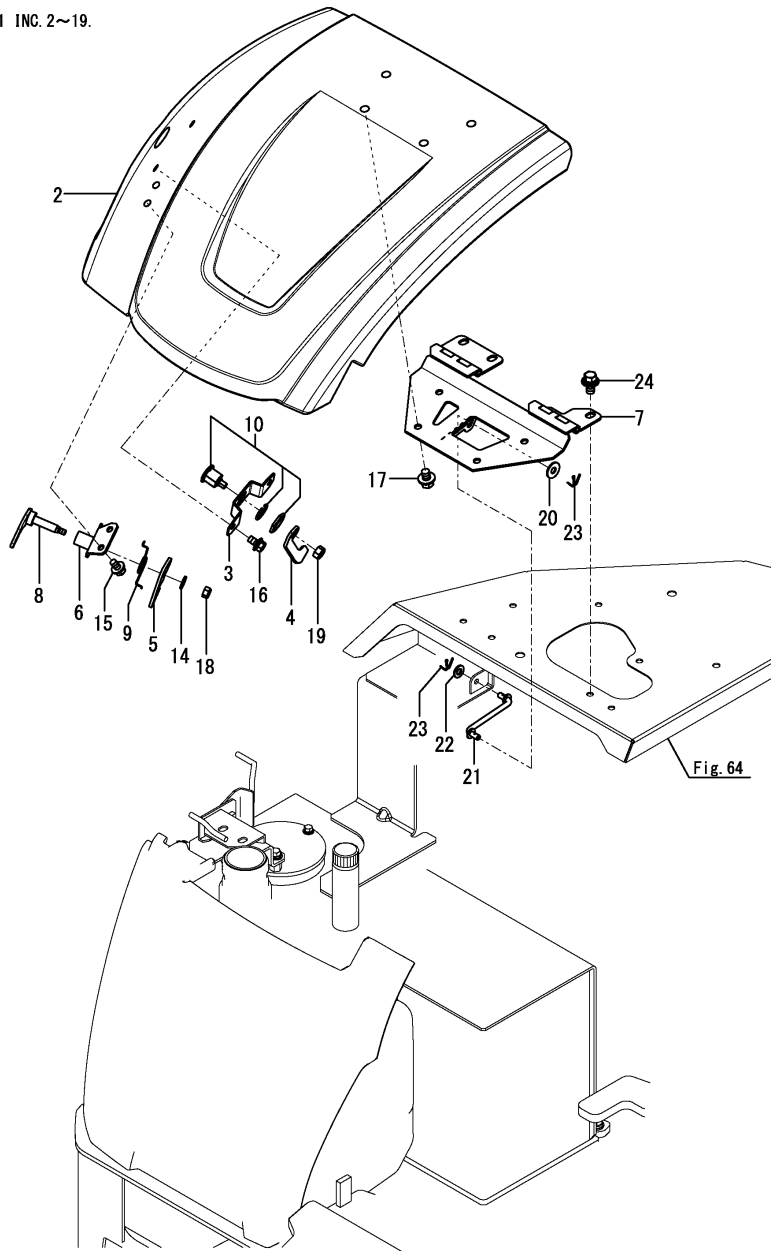
No.	Lev.	Parts No.	Description	Q'ty						I	R
				(A)	(B)	(C)	(D)	(E)	(F)		
1	1	172B03-61050	STAY ASSY, MULTI	1	1						
2	1	172B03-61071	STAY ASSY,MULTI A B	1	1						
3	1	172B03-61090	STAY, HOLDER	1	1						
4	1	172B03-61200	COVER ASSY, MULTI	1	1						
6	2	172B03-61450	SEAL, MULTI	1	1						
7	2	172B03-61480	SPONGE	1	1						
8	1	172B03-61230	COVER ASSY, MULTI	1	1						
10	2	172B03-61460	SEAL, MULTI	1	1						
11	2	172137-66230	GROMMET	1	1						
12	1	172B03-61260	COVER ASSY, MULTI	1	1						
14	2	172B03-61470	SEAL, MULTI	1	1						
15	2	172B03-61490	SPONGE	1	1						
16	2	172137-66230	GROMMET	1	1						
17	1	198220-61480	HOLDER, ROD	1	1						
18	1	198220-61480	HOLDER, ROD	1	1						
19	1	172B03-61540	HINGE ASSY,MULTI	1	1						
20	1	172B03-61540	HINGE ASSY,MULTI	1	1						
21	1	172448-65490	SHAFT, HINGE	1	1						
22	1	172448-65490	SHAFT, HINGE	1	1						
23	1	22272-000070	RING, E- 7	1	1						
24	1	22272-000070	RING, E- 7	1	1						
25	1	26013-100202	BOLT, M10X 20	2	2						
26	1	26014-100202	BOLT, M10X 20	2	2						
27	1	26014-100202	BOLT, M10X 20	2	2						
28	1	26014-100252	BOLT, M10X 25	2	2						
29	1	26014-100252	BOLT, M10X 25	2	2						
30	1	26014-100252	BOLT, M10X 25	2	2						
31	1	26014-100252	BOLT, M10X 25	1	1						
32	1	26023-050102	SCREW, M5X10	2	2						
33	1	26023-050102	SCREW, M5X10	2	2						

Fig.63. UPPER COVER(1)

(A)=VIO50-6B P(BR)
 (B)=VIO50-6B C(BR)
 (C)=

(D)=
 (E)=
 (F)=

1 1 INC. 2~19.

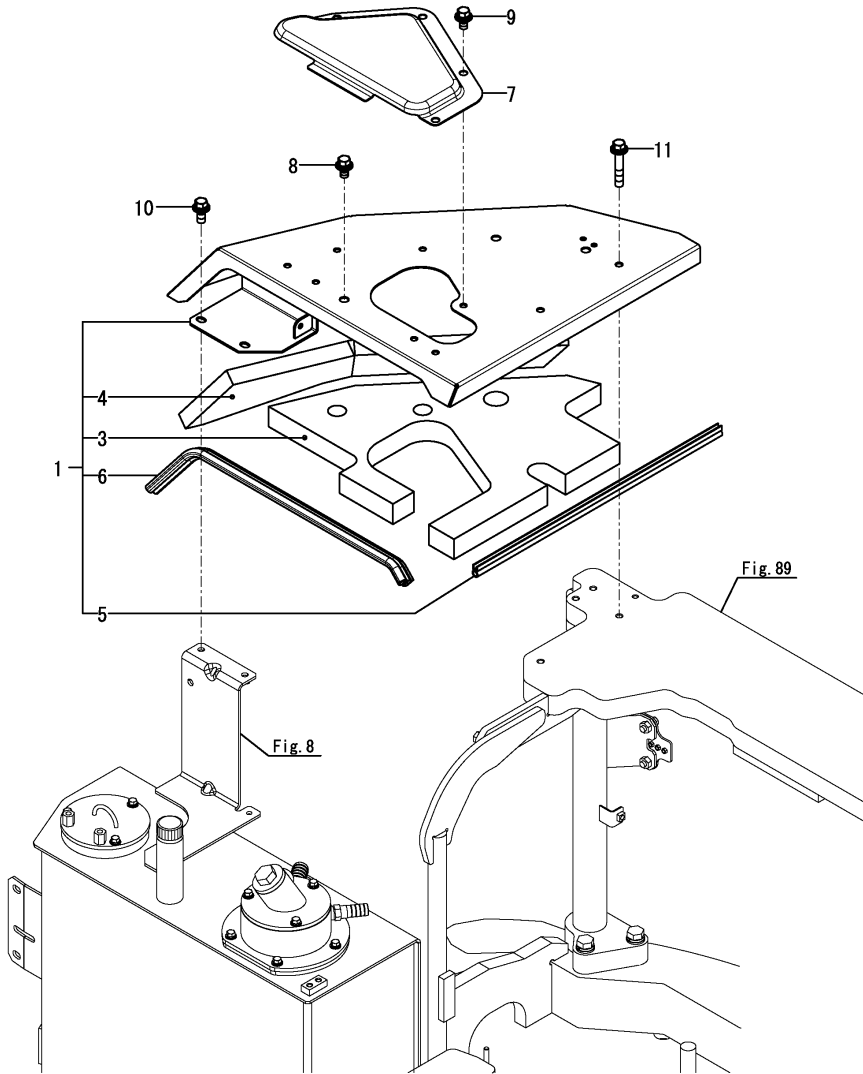


No.	Lev.	Parts No.	Description	Q'ty						I	R
				(A)	(B)	(C)	(D)	(E)	(F)		
1	1	172B04-61810	COVER ASSY,B BLACK	1	1						
2	2	172B04-61820	COVER, B	1	1						
3	2	172B04-62260	PLATE, LOCK	1	1						
4	2	172B04-62271	STAY, KEY	1	1						
5	2	172A69-62280	PLATE, LOCK	1	1						
6	2	172B04-62300	HOOK ASSY,OPEN/CLOSE	1	1						
7	2	172B04-62340	PLATE ASSY, HINGE	1	1						
8	2	172A69-62510	LEVER ASSY	1	1						
9	2	172156-65690	SPRING, STOPPER	1	1						
10	2	172B03-66170	CYLINDER ASSY, KEY	1	1						
14	2	22137-080000	WASHER, 8	1	1						
15	2	26014-080162	BOLT, M8X 16	2	2						
16	2	26014-080162	BOLT, M8X 16	2	2						
17	2	26014-100162	BOLT, M10X 16	4	4						
18	2	26347-080002	NUT, M8	1	1						
19	2	26347-100002	NUT, M10	1	1						
20	1	1A1380-62160	WASHER, BELT COVER	1	1						
21	1	172444-65190	ROD ASSY, STOPPER	1	1						
22	1	22137-080000	WASHER, 8	1	1						
23	1	22417-200200	PIN, COTTER 2.0X20	2	2						
24	1	26014-100202	BOLT, M10X 20	3	3						

Fig.64. UPPER COVER(2)

(A)=VIO50-6B P(BR)
 (B)=VIO50-6B C(BR)
 (C)=

(D)=
 (E)=
 (F)=

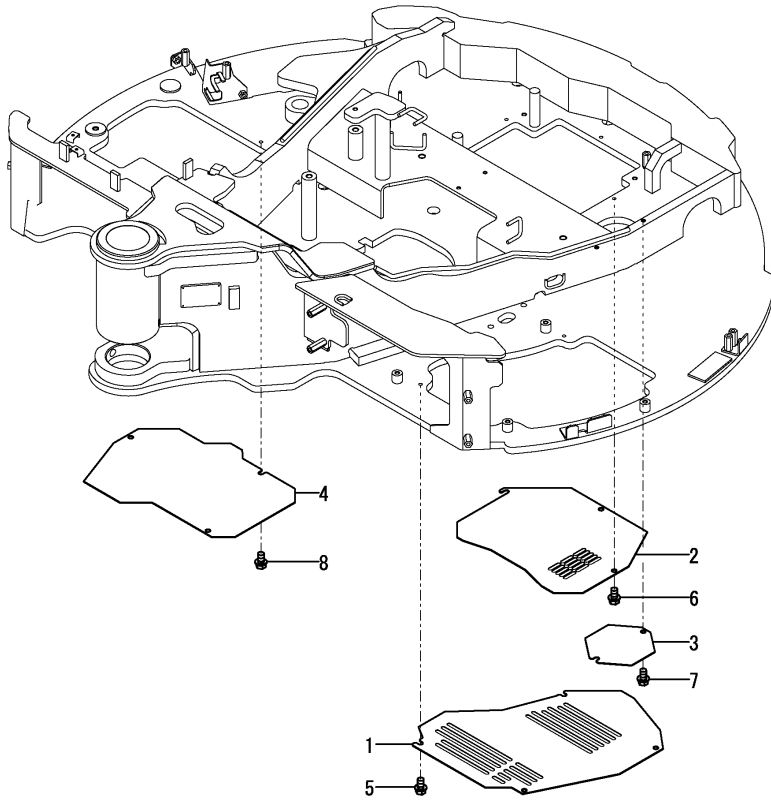


No.	Lev.	Parts No.	Description	Q'ty						I	R
				(A)	(B)	(C)	(D)	(E)	(F)		
1	1	172B04-61901	COVER ASSY, C	1	1						
3	2	172B04-61980	SPONGE, COVER	1	1						
4	2	172B04-61990	SPONGE,B COVER	1	1						
5	2	172A64-64940	SEAL, 560	1	1						
6	2	172187-66330	RUBBER, SEAL 590	1	1						
7	1	172B12-62130	COVER,UPPER	1	1						
8	1	26014-100202	BOLT, M10X 20	2	2						
9	1	26014-100202	BOLT, M10X 20	4	4						
10	1	26014-100252	BOLT, M10X 25	2	2						
11	1	26014-100602	BOLT, M10X 60	2	2						

Fig.65. COVER(TURNING FRAME)

(A)=VIO50-6B P(BR)
 (B)=VIO50-6B C(BR)
 (C)=

(D)=
 (E)=
 (F)=



No.	Lev.	Parts No.	Description	Q'ty						I	R
				(A)	(B)	(C)	(D)	(E)	(F)		
1	1	172B04-61410	COVER, VALVE STAND	1	1						
2	1	172B04-61420	COVER, OIL PAN	1	1						
3	1	172B03-61430	COVER, PUMP	1	1						
4	1	172B04-61440	COVER, RESERVOIR	1	1						
5	1	26106-100162	BOLT, M10X 16 PLATED	4	4						
6	1	26106-100162	BOLT, M10X 16 PLATED	3	3						
7	1	26106-100162	BOLT, M10X 16 PLATED	2	2						
8	1	26106-100162	BOLT, M10X 16 PLATED	3	3						

Fig.66. COVER(TRAVEL FRAME)

(A)=VIO50-6B P(BR)
 (B)=VIO50-6B C(BR)
 (C)=

(D)=
 (E)=
 (F)=

No.	Lev.	Parts No.	Description	Q'ty						I	R
				(A)	(B)	(C)	(D)	(E)	(F)		
1	1	172B04-61100	COVER, MOTOR	2	2						
2	1	172460-61121	COVER,UNDER(GRAY:49)	1	1						
3	1	172162-61500	TRIM	4	4						
4	1	22157-120000	WASHER, 12	4	4						
5	1	26013-100202	BOLT, M10X 20	8	8						
6	1	26013-120302	BOLT, M12X 30	4	4						

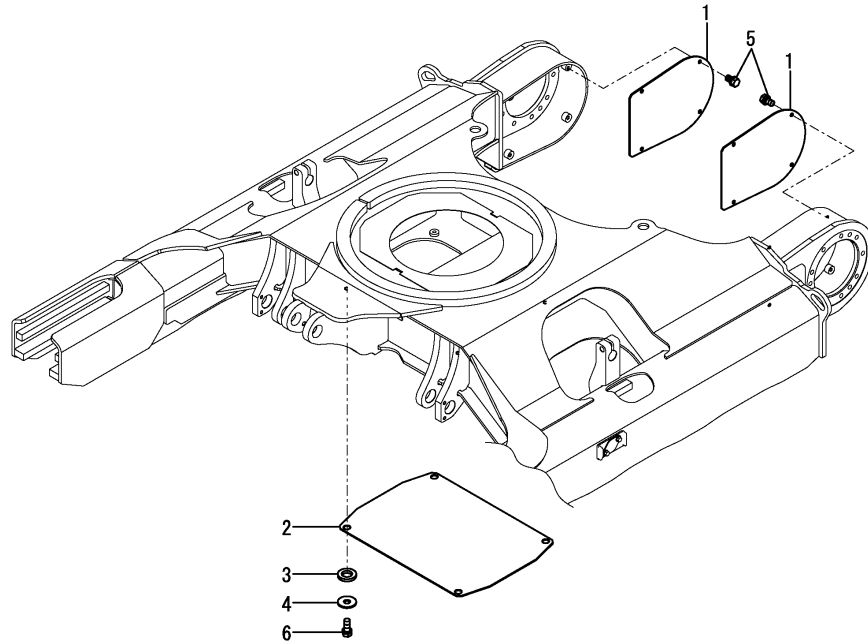
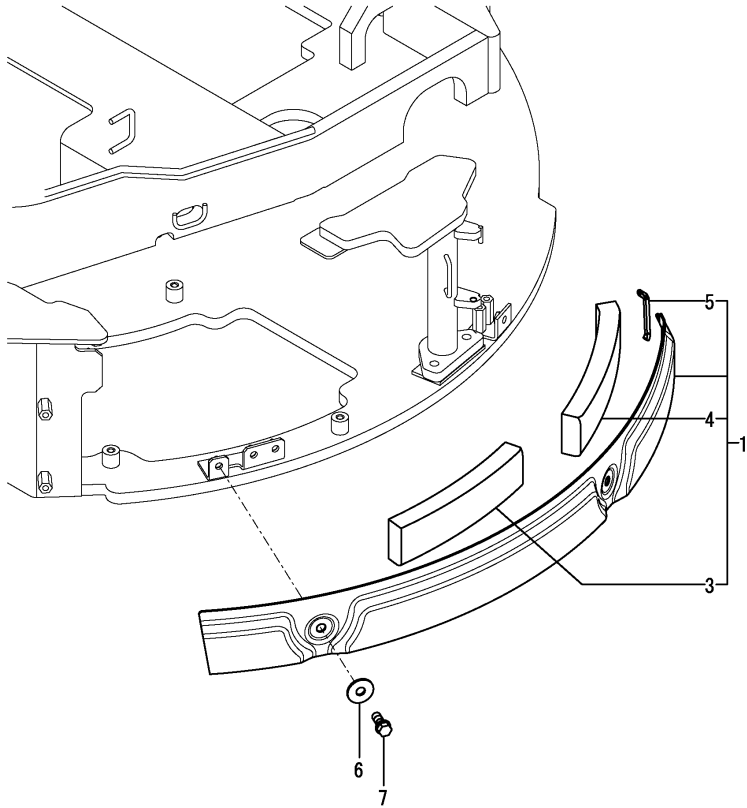


Fig.67. FRAME GUARD(LEFT)



(A)=VIO50-6B P(BR)
 (B)=VIO50-6B C(BR)
 (C)=

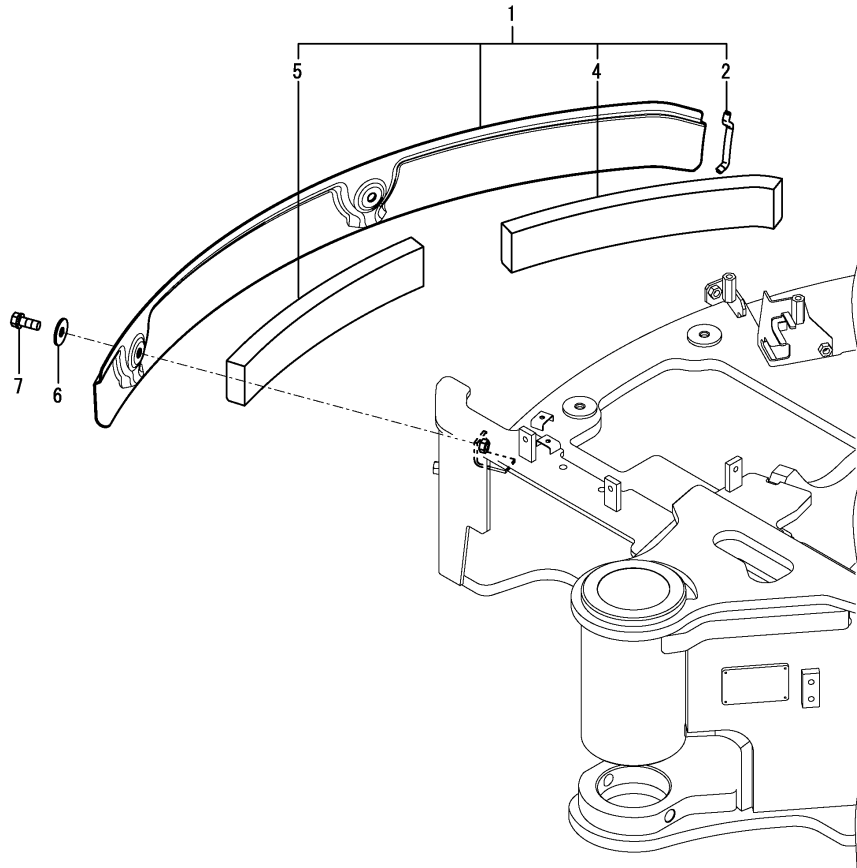
(D)=
 (E)=
 (F)=

No.	Lev.	Parts No.	Description	Q'ty						I	R
				(A)	(B)	(C)	(D)	(E)	(F)		
1	1	172B04-61010	GUARD ASSY, FRAME L	1	1						
3	2	172B04-61040	SPONGE, GUARD L B	1	1						
4	2	172B04-61040	SPONGE, GUARD L B	1	1						
5	2	172434-61170	TRIM	1	1						
6	1	22157-100000	WASHER, 10	2	2						
7	1	26013-100252	BOLT, M10X 25	2	2						

Fig.68. FRAME GUARD(RIGHT)

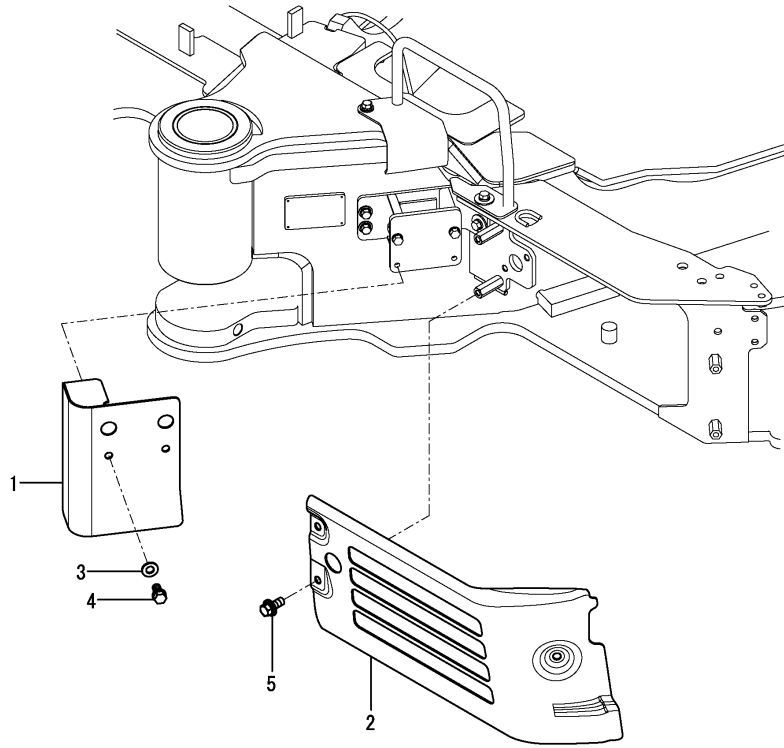
(A)=VIO50-6B P(BR)
 (B)=VIO50-6B C(BR)
 (C)=

(D)=
 (E)=
 (F)=



No.	Lev.	Parts No.	Description	Q'ty						I	R
				(A)	(B)	(C)	(D)	(E)	(F)		
1	1	172B04-61110	GUARD ASSY, FRAME R	1	1						
2	2	172444-17620	SEAL	1	1						
4	2	172B04-61140	SPONGE, GUARD R B	1	1						
5	2	172B04-61140	SPONGE, GUARD R B	1	1						
6	1	22157-100000	WASHER, 10	2	2						
7	1	26013-100252	BOLT, M10X 25	2	2						

Fig.69. COVER(TURNING FRAME)(FRONT - LEFT)

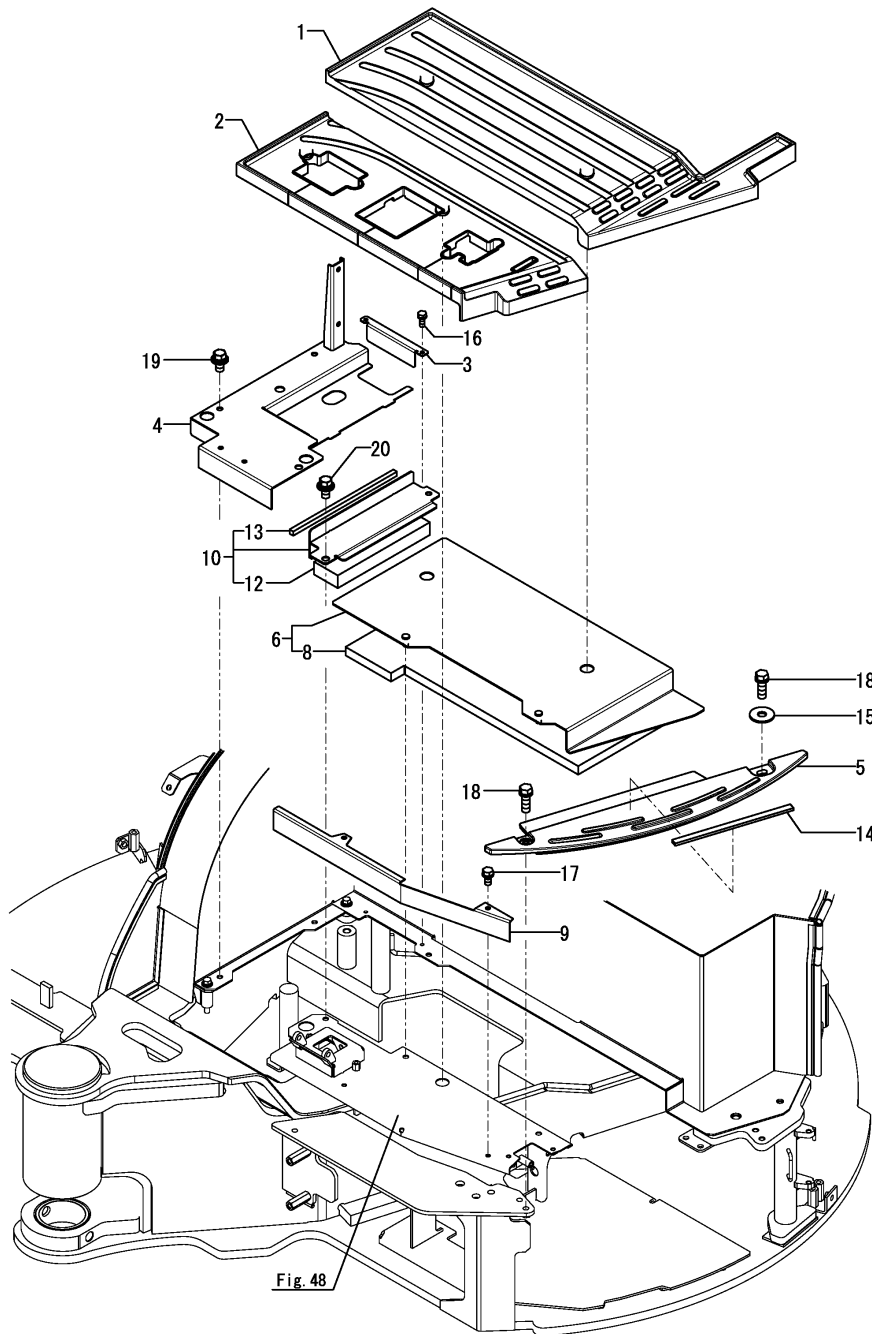


(A)=VIO50-6B P(BR)
 (B)=VIO50-6B C(BR)
 (C)=

(D)=
 (E)=
 (F)=

No.	Lev.	Parts No.	Description	Q'ty						I	R
				(A)	(B)	(C)	(D)	(E)	(F)		
1	1	172B04-61210	COVER ASSY, HOSE	1	1						
2	1	172B04-61320	COVER,L T/F	1	1						
3	1	22137-100000	WASHER, 10	2	2						
4	1	26013-100202	BOLT, M10X 20	2	2						
5	1	26014-100252	BOLT, M10X 25	3	3						

Fig.71. STEP(CABIN)



(A)=VIO50-6B P(BR)
 (B)=VIO50-6B C(BR)
 (C)=

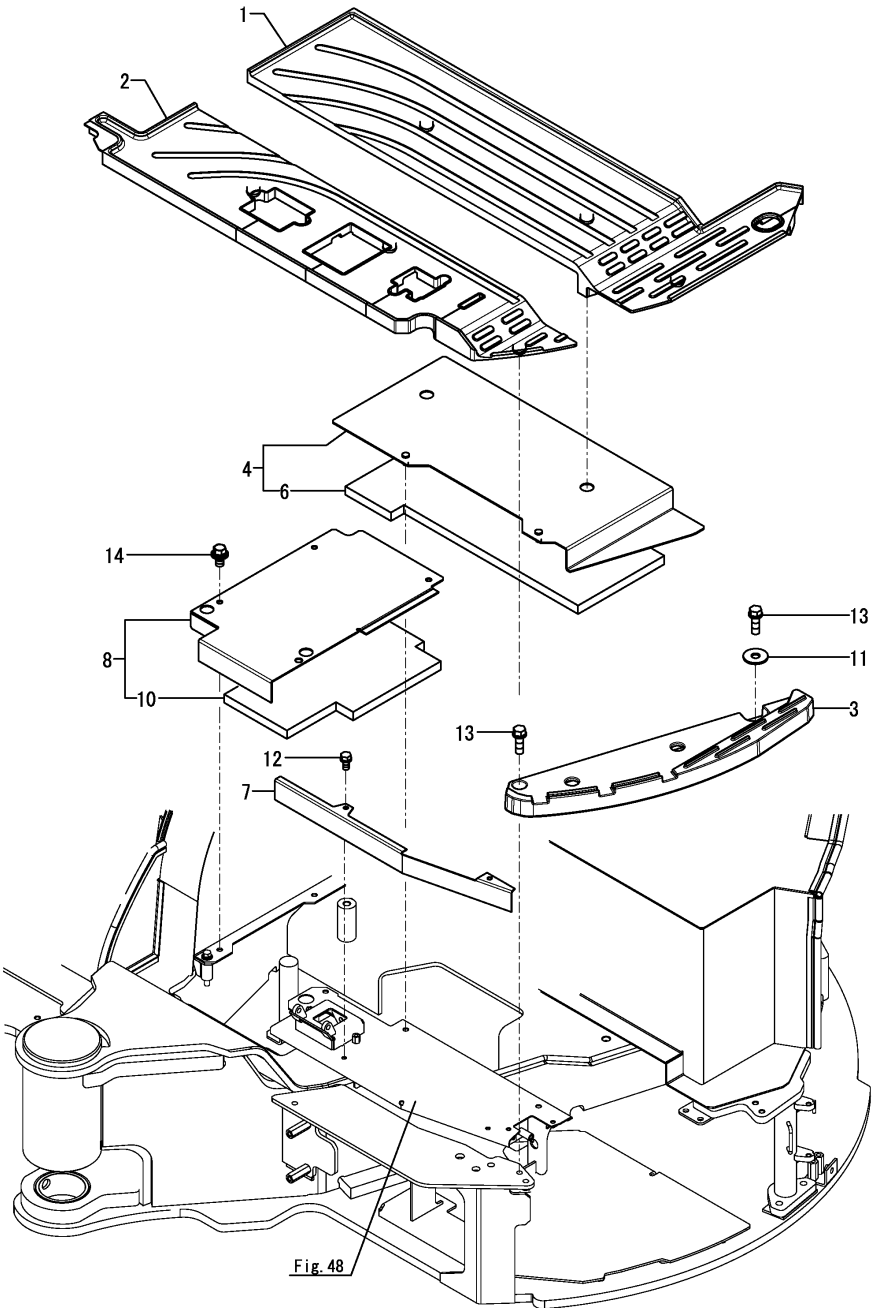
(D)=
 (E)=
 (F)=

No.	Lev.	Parts No.	Description	Q'ty						I	R
				(A)	(B)	(C)	(D)	(E)	(F)		
1	1	172B03-62150	FLOOR MAT, A CAB		1						
2	1	172B03-62170	FLOOR MAT, B CAB EX		1						
3	1	172B03-62240	PLATE, PARTITION		1						
4	1	172B03-62251	STEP ASSY		1						
5	1	172B03-62520	STEP, NON SLIP C		1						
6	1	172B04-62600	STEP ASSY		1						
8	2	172B04-62610	SPONGE, STEP A		1						
9	1	172B03-62750	COVER		1						
10	1	172B04-62850	COVER ASSY, STEP CAB		1						
12	2	172B04-62860	SPONGE, COVER CAB		1						
13	2	172B04-62870	SEAL, STEP COVER CAB		1						
14	1	172538-68450	SHEET, NON SLIP		1						
15	1	22157-100000	WASHER, 10		1						
16	1	26013-060162	BOLT, M6X 16		2						
17	1	26013-080162	BOLT, M8X 16		2						
18	1	26013-100302	BOLT, M10X 30		2						
19	1	26014-100202	BOLT, M10X 20		3						
20	1	26014-100202	BOLT, M10X 20		2						

Fig.72. STEP(CANOPY)

(A)=VIO50-6B P(BR)
 (B)=VIO50-6B C(BR)
 (C)=

(D)=
 (E)=
 (F)=



No.	Lev.	Parts No.	Description	Q'ty						I	R
				(A)	(B)	(C)	(D)	(E)	(F)		
1	1	172B03-62100	FLOOR MAT, A P	1							
2	1	172B03-62140	FLOOR MAT, B 4P EX	1							
3	1	172B03-62500	STEP, NON SLIP P	1							
4	1	172B04-62600	STEP ASSY	1							
6	2	172B04-62610	SPONGE, STEP A	1							
7	1	172B03-62750	COVER	1							
8	1	172B04-62800	STEP ASSY, R 4P	1							
10	2	172B04-62660	SPONGE, STEP R CNP	1							
11	1	22157-100000	WASHER, 10	1							
12	1	26013-080162	BOLT, M8X 16	2							
13	1	26013-100302	BOLT, M10X 30	2							
14	1	26014-100202	BOLT, M10X 20	4							

Fig.73. COVER(LEVER)

(A)=VIO50-6B P(BR)
 (B)=VIO50-6B C(BR)
 (C)=

(D)=
 (E)=
 (F)=

No.	Lev.	Parts No.	Description	Q'ty						I	R
				(A)	(B)	(C)	(D)	(E)	(F)		
1	1	172519-63240	BOLT	3	3						
2	1	172519-63240	BOLT	2	2						
3	1	172B03-63610	COVER, LEVER L UP D	1	1						
4	1	172B03-63620	COVER, LEVER L LOW D	1	1						
5	1	172B03-63630	COVER, LEVER R D	1	1						
6	1	1A8060-84280	RIVET, PUSH	1	1						

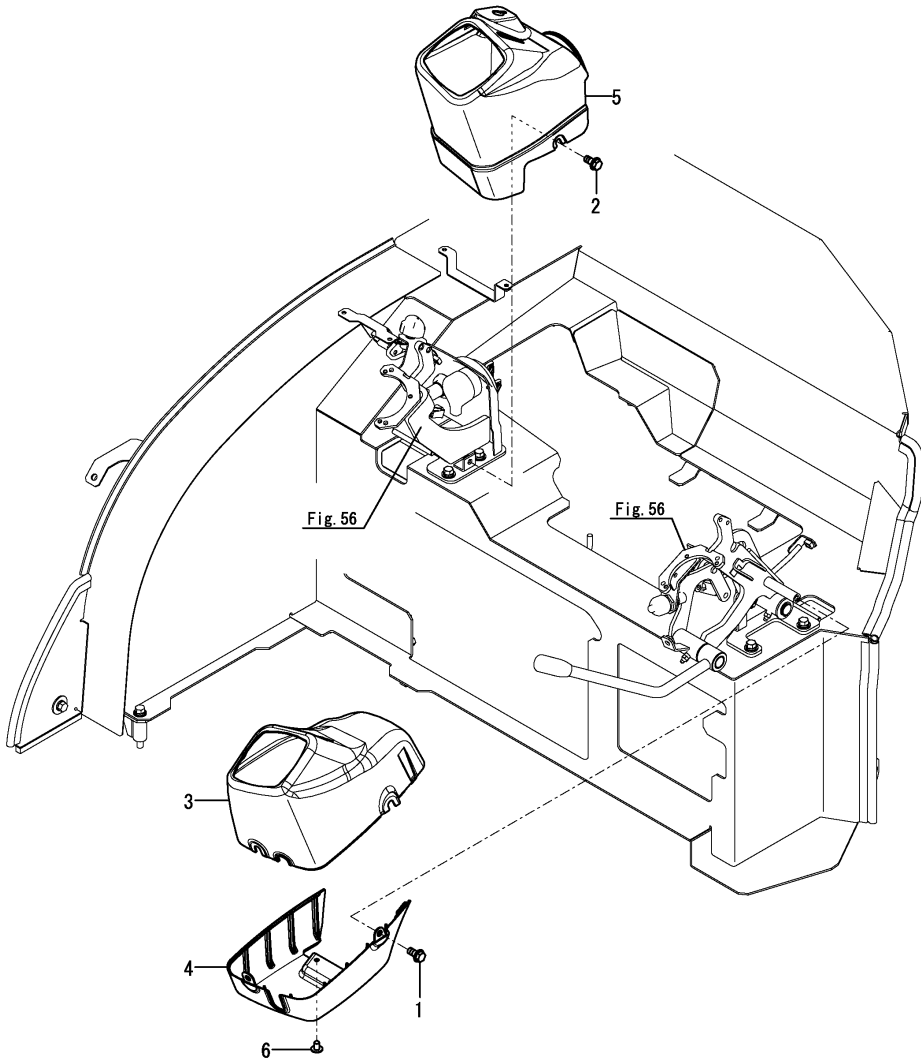
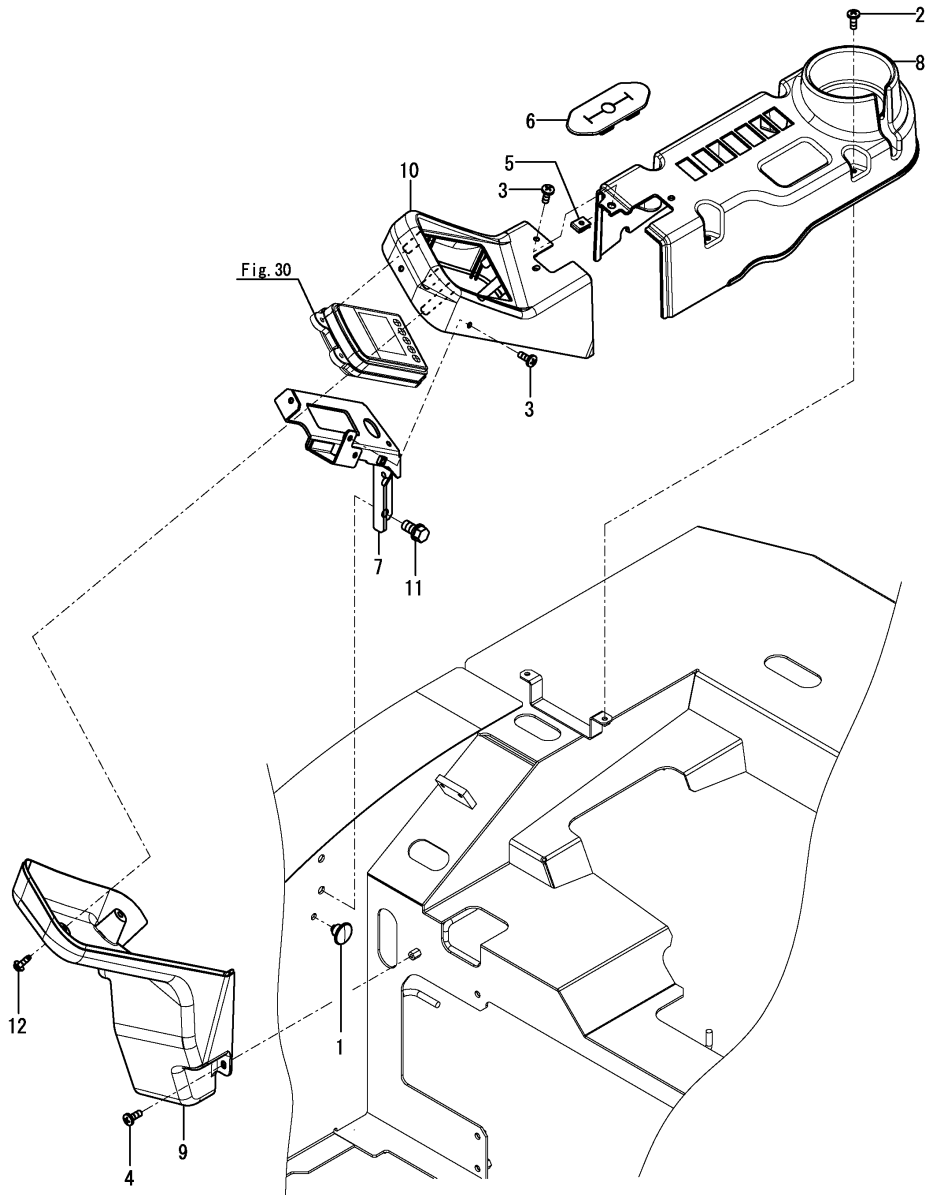


Fig.74. COVER(MONITOR)(CANOPY)

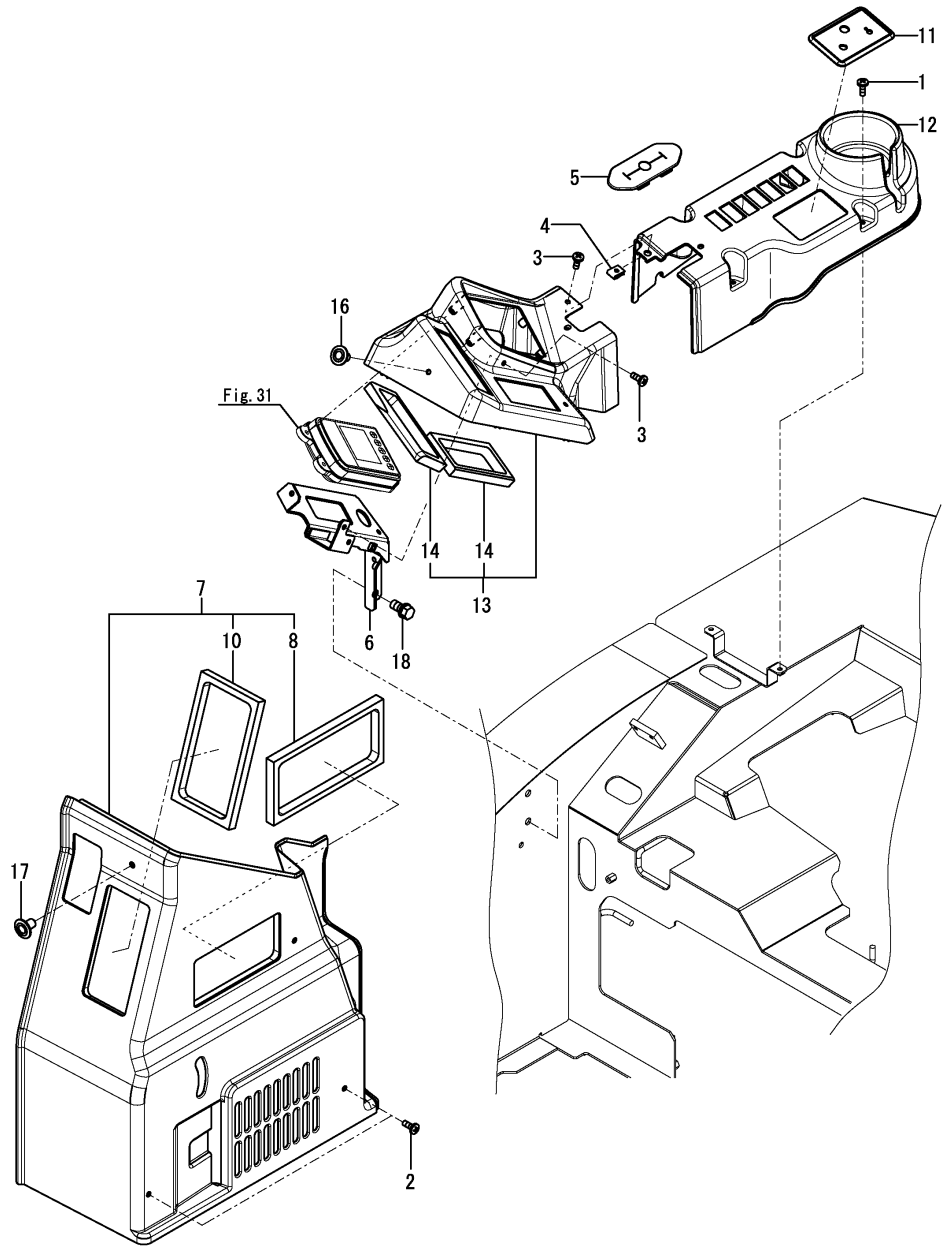
(A)=VIO50-6B P(BR)
 (B)=VIO50-6B C(BR)
 (C)=

(D)=
 (E)=
 (F)=



No.	Lev.	Parts No.	Description	Q'ty						I	R
				(A)	(B)	(C)	(D)	(E)	(F)		
1	1	172444-17660	CLIP, TREE	1							
2	1	172137-46210	SCREW	4							
3	1	172137-46210	SCREW	3							
4	1	172137-46210	SCREW	1							
5	1	198071-61890	NUT, SPEED M6	1							
6	1	172B03-63050	GROMMET	1							
7	1	172B03-63501	STAY ASSY, INPANE	1							
8	1	172B03-63710	COVER, SWITCH P D	1							
9	1	172B03-63720	COVER, PANEL LOW-P D	1							
10	1	172B03-63770	COVER, PANEL UP-P D	1							
11	1	26013-100202	BOLT, M10X 20	2							
12	1	26476-050142	SCREW, TAPPING M5X14	2							

Fig.75. COVER(MONITOR)(CABIN)

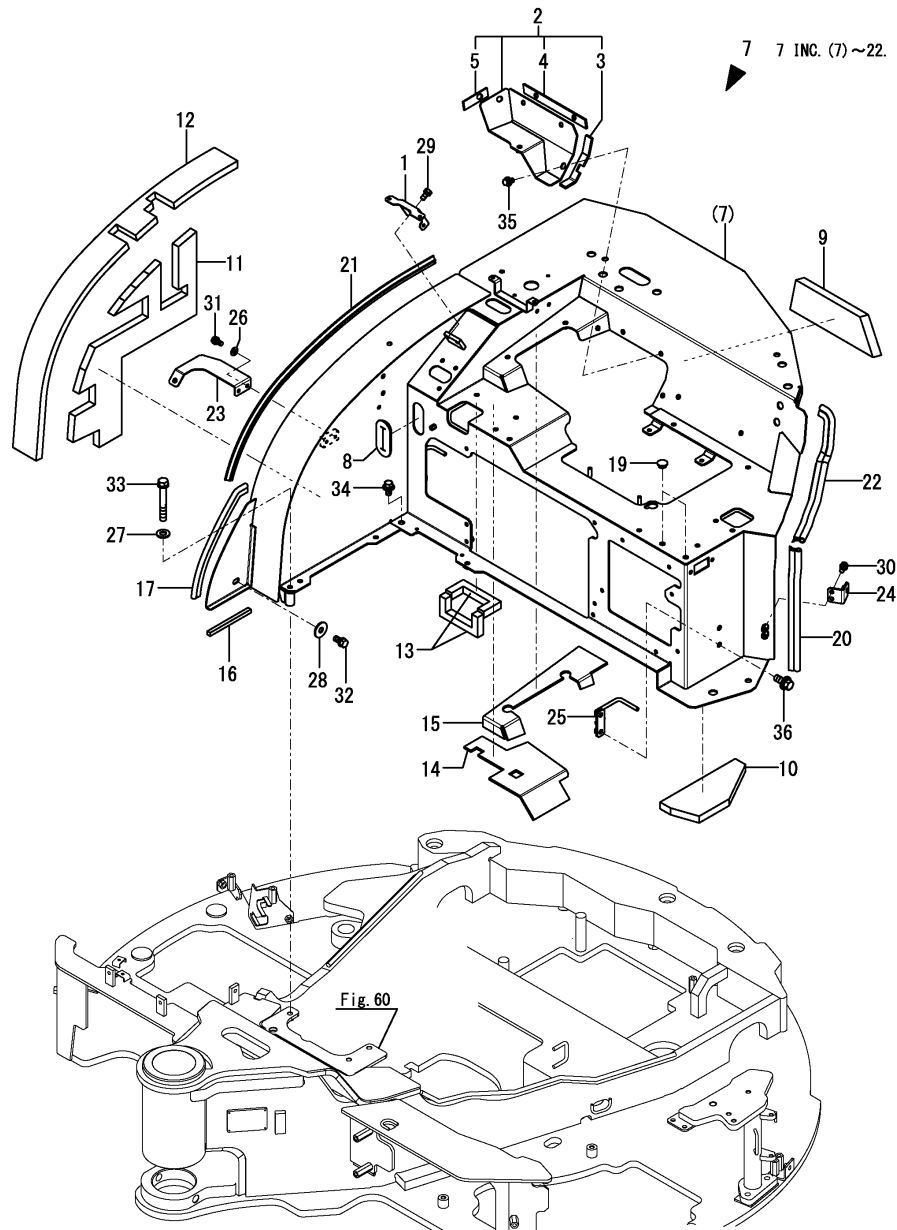


(A)=VIO50-6B P(BR)
 (B)=VIO50-6B C(BR)
 (C)=

(D)=
 (E)=
 (F)=

No.	Lev.	Parts No.	Description	Q'ty						I	R
				(A)	(B)	(C)	(D)	(E)	(F)		
1	1	172137-46210	SCREW		4						
2	1	172137-46210	SCREW		2						
3	1	172137-46210	SCREW		2						
4	1	198071-61890	NUT, SPEED M6		1						
5	1	172B03-63050	GROMMET		1						
6	1	172B03-63501	STAY ASSY, INPANE		1						
7	1	172B03-63650	COVER ASSY, AC D		1						
8	2	172B03-63320	SEAL, DUCT		1						
10	2	1A7470-87320	SEAL, DUCT SIDE		1						
11	1	172B03-63670	PANEL, AC D		1						
12	1	172B03-63700	COVER, SWITCH C D		1						
13	1	172B03-63750	COVER ASSY, PANEL D		1						
14	2	172B03-63290	SEAL, DUCT		2						
16	1	1A8060-84280	RIVET, PUSH		2						
17	1	1A8060-84280	RIVET, PUSH		2						
18	1	26013-100202	BOLT, M10X 20		2						

Fig.76. SEAT MOUNT

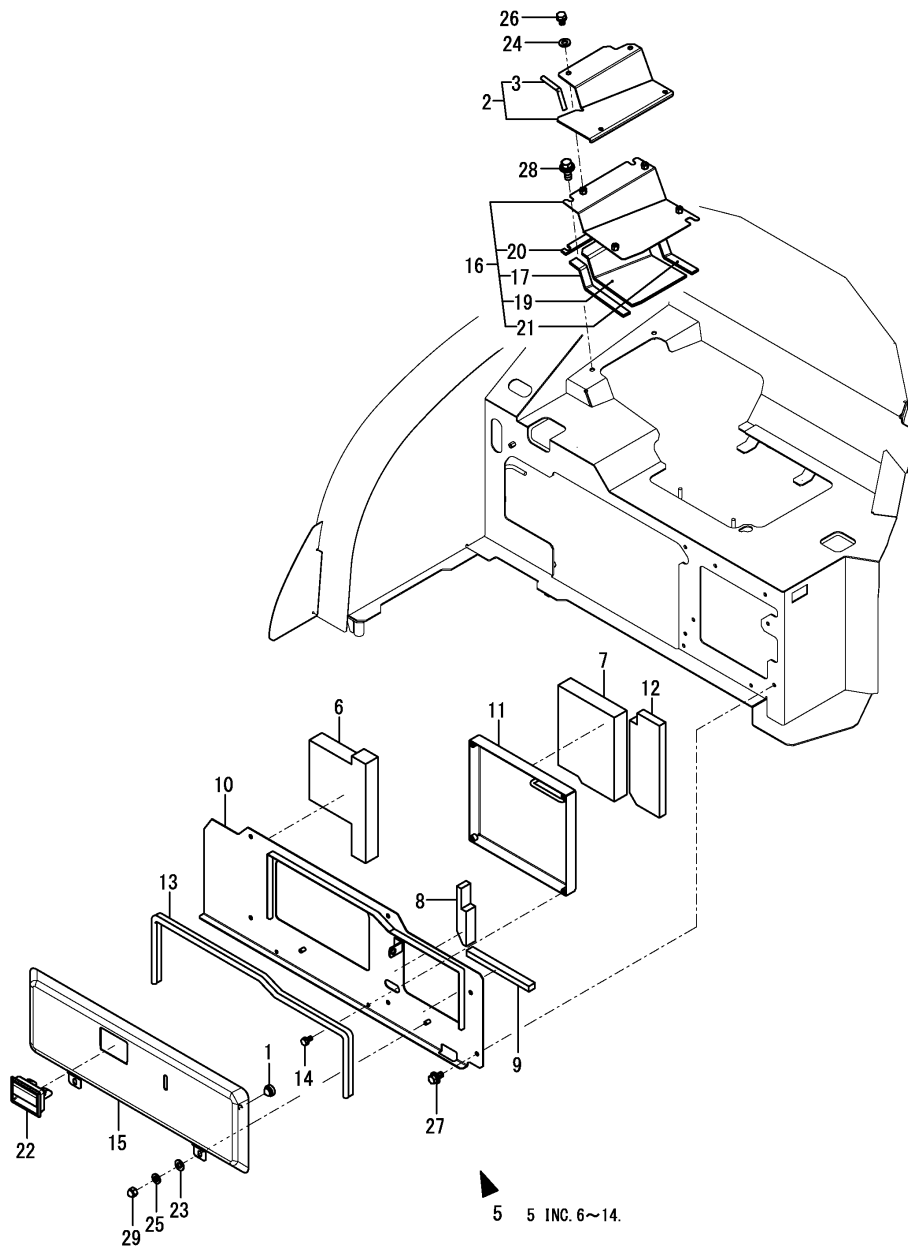


(A)=VIO50-6B P(BR)
 (B)=VIO50-6B C(BR)
 (C)=

(D)=
 (E)=
 (F)=

No.	Lev.	Parts No.	Description	Q'ty						I	R
				(A)	(B)	(C)	(D)	(E)	(F)		
1	1	172B03-63400	STAY ASSY, COVER	1	1						
2	1	172B04-64110	COVER ASSY, REAR	1	1						
3	2	172B04-64120	SEAL, COVER A	1	1						
4	2	172B04-64130	SEAL, COVER B	1	1						
5	2	172B04-64140	SEAL, COVER C	1	1						
7	1	172B04-64200	MOUNT ASSY, SEAT	1	1						
8	2	172B03-63450	GROMMET	1	1						
9	2	172B05-64010	SPONGE, REAR	1	1						
10	2	172B05-64020	SPONGE, L	1	1						
11	2	172B05-64030	SPONGE, SIDE	1	1						
12	2	172B05-64040	SPONGE, UP	1	1						
13	2	172B05-64050	SPONGE, PARTITION	2	2						
14	2	172B05-64060	SHEET, INSULATION F	1	1						
15	2	172B05-64070	SHEET, INSULATION R	1	1						
16	2	172B05-64080	SEAL, 10X10X140	1	1						
17	2	172B05-64090	SEAL, 310	1	1						
19	2	172187-64900	PLUG	2	2						
20	2	172141-65330	RUBBER	1	1						
21	2	172183-65530	RUBBER, SEAL	1	1						
22	2	172164-66640	RUBBER, SEAL	1	1						
23	1	172B04-64380	STAY ASSY, BONNET B	1	1						
24	1	172B03-64450	STAY ASSY, BONNET	1	1						
25	1	172B03-78050	GUIDE ASSY, HOSE	1	1						
26	1	22137-080000	WASHER, 8	2	2						
27	1	22137-100000	WASHER, 10	1	1						
28	1	22157-100000	WASHER, 10	1	1						
29	1	26013-080162	BOLT, M8X 16	2	2						
30	1	26013-080162	BOLT, M8X 16	2	2						
31	1	26013-080162	BOLT, M8X 16	2	2						
32	1	26013-100202	BOLT, M10X 20	1	1						
33	1	26013-100702	BOLT, M10X 70	1	1						
34	1	26014-100202	BOLT, M10X 20	1	1						
35	1	26014-100202	BOLT, M10X 20	4	4						
36	1	26014-100252	BOLT, M10X 25	2	2						

Fig.77. COVER(SEAT MOUNT)

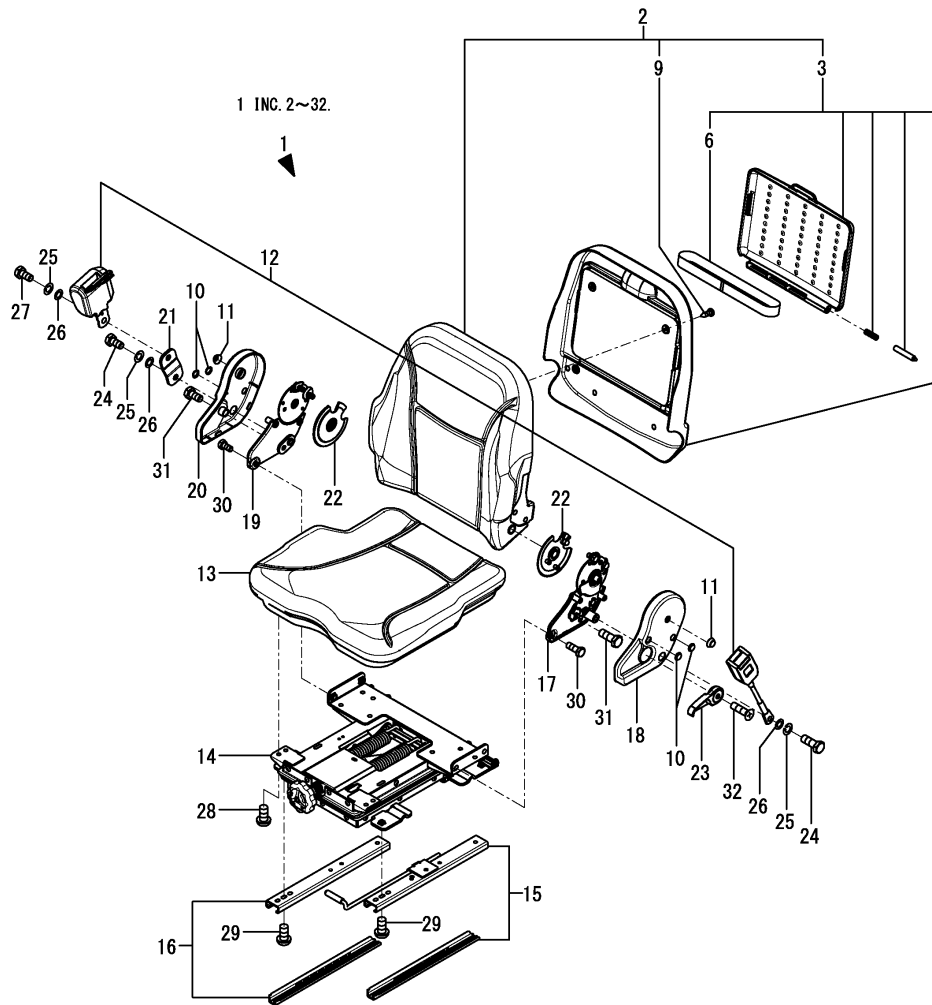


(A)=VIO50-6B P(BR)
 (B)=VIO50-6B C(BR)
 (C)=

(D)=
 (E)=
 (F)=

No.	Lev.	Parts No.	Description	Q'ty						I	R
				(A)	(B)	(C)	(D)	(E)	(F)		
1	1	1N1730-61190	RUBBER, CONTACT	1	1						
2	1	172B04-61650	PLATE ASSY, LABEL	1	1						
3	2	172458-18850	TRIM	1	1						
5	1	172B04-64500	COVER ASSY, MANUAL A	1	1						
6	2	172B04-64070	SPONGE, COVER A	1	1						
7	2	172B04-64080	SPONGE, COVER B	1	1						
8	2	172B04-64090	SEAL, COVER M	1	1						
9	2	172B04-64100	SEAL, 200	1	1						
10	2	172B04-64510	COVER ASSY, MANUAL A	1	1						
11	2	172B03-64570	BOX ASSY, MANUAL	1	1						
12	2	172B04-64990	SPONGE, COVER C	1	1						
13	2	172458-65070	SEAL	1	1						
14	2	26013-060122	BOLT, M6X 12	4	4						
15	1	172B03-64601	COVER ASSY, MANUAL B	1	1						
16	1	172B04-64650	COVER ASSY, ENG	1	1						
17	2	172458-63650	SEAL, SPONGE	1	1						
19	2	172B04-64670	SHEET, INSULATION	1	1						
20	2	172B04-64680	SEAL, COVER ENG	1	1						
21	2	172B04-64690	SEAL, 220	1	1						
22	1	172B02-69040	HANDLE, LOCK BLACK	1	1						
23	1	22137-080000	WASHER, 8	2	2						
24	1	22137-080000	WASHER, 8	4	4						
25	1	22217-080000	WASHER, SPRING 8	2	2						
26	1	26013-080122	BOLT, M8X 12	4	4						
27	1	26014-080162	BOLT, M8X 16	6	6						
28	1	26014-100202	BOLT, M10X 20	2	2						
29	1	26657-080002	NUT, CAP M8	2	2						

Fig.78. SEAT

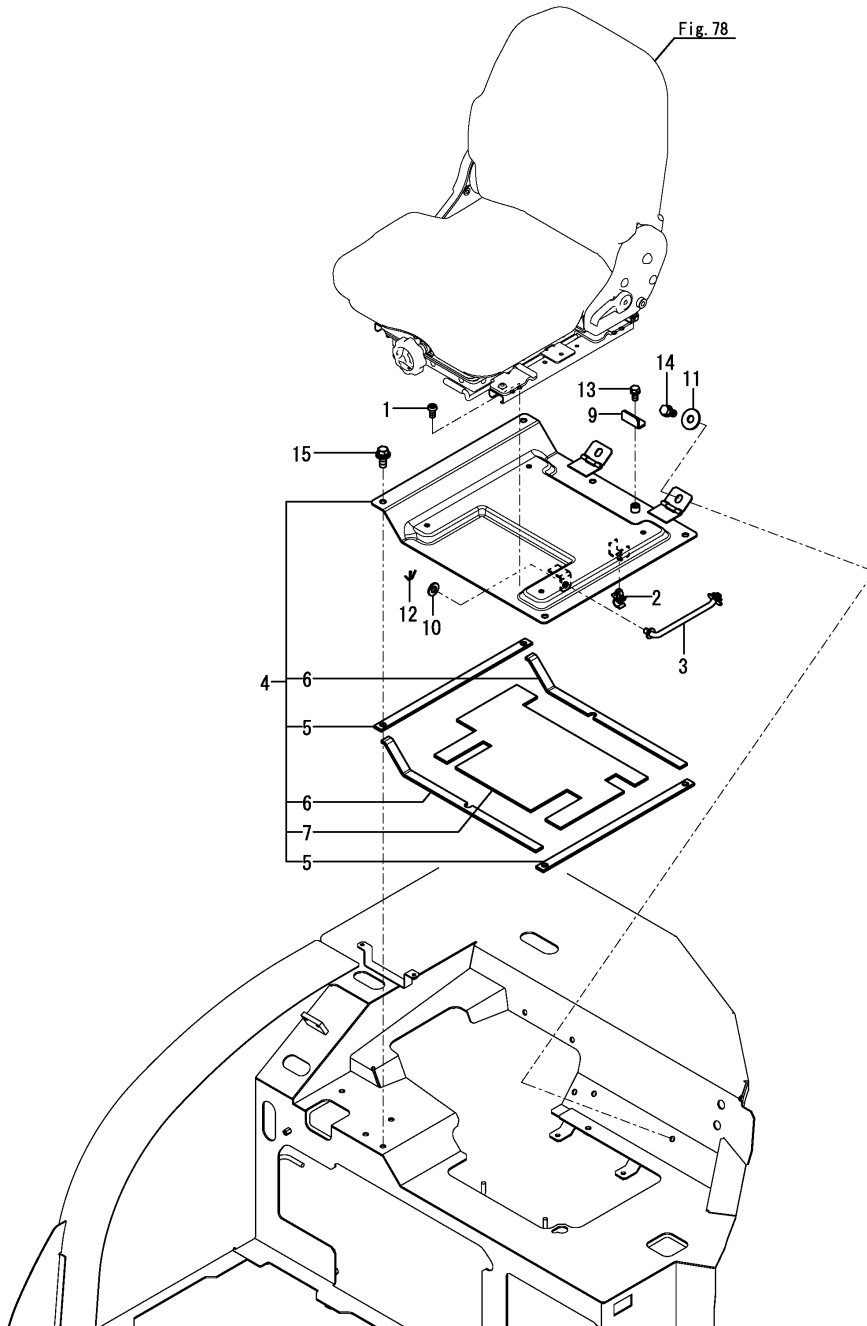


(A)=VIO50-6B P(BR)
 (B)=VIO50-6B C(BR)
 (C)=

(D)=
 (E)=
 (F)=

No.	Lev.	Parts No.	Description	Q'ty						I	R
				(A)	(B)	(C)	(D)	(E)	(F)		
1	1	172B02-64800	SEAT ASSY,SUS	1	1						
2	2	172B02-64210	SEAT ASSY, BACK	1	1						
3	3	172B02-64270	BOX ASSY,MANUAL	1	1						
6	4	172A89-64950	BAND	1	1						
9	3	22859-500200	SCREW, 5.0 X 20	4	4						
10	2	172B02-64250	CAP	4	4						
11	2	172B02-64260	CAP	2	2						
12	2	172A89-64740	SEAT BELT ASSY	1	1						
13	2	172A89-64780	SEAT, CUSHION	1	1						
14	2	172A89-64790	SEAT, SPRING	1	1						
15	2	172A89-64800	RAIL ASSY, TL	1	1						
16	2	172A89-64810	RAIL ASSY, TR	1	1						
17	2	172A89-64820	HINGE ASSY	1	1						
18	2	172A89-64830	COVER	1	1						
19	2	172A89-64840	HINGE ASSY	1	1						
20	2	172A89-64850	COVER	1	1						
21	2	172A89-64860	BRACKET ASSY	1	1						
22	2	172A89-64870	COVER	2	2						
23	2	172A89-64880	LEVER	1	1						
24	2	172A89-64890	BOLT	2	2						
25	2	172A89-64900	SPRING	3	3						
26	2	172A89-64910	WASHER	3	3						
27	2	172A89-64920	BOLT	1	1						
28	2	26106-080162	BOLT, M8X 16 PLATED	4	4						
29	2	26106-080162	BOLT, M8X 16 PLATED	4	4						
30	2	26106-100162	BOLT, M10X 16 PLATED	6	6						
31	2	26106-100252	BOLT, M10X 25 PLATED	2	2						
32	2	26559-050202	SCREW, M5X20	1	1						

Fig.79. SEAT(ACCESSORY)



(A)=VIO50-6B P(BR)
 (B)=VIO50-6B C(BR)
 (C)=

(D)=
 (E)=
 (F)=

No.	Lev.	Parts No.	Description	Q'ty						I	R
				(A)	(B)	(C)	(D)	(E)	(F)		
1	1	172455-61710	BOLT M 8X 16	4	4						
2	1	1A7610-62250	HOLDER, ROD 10	1	1						
3	1	172B03-64831	ROD ASSY, STOPPER	1	1						
4	1	172B04-64850	PLATE ASSY, SEAT SUS	1	1						
5	2	172B04-64010	SEAL, SEAT A	2	2						
6	2	172B03-64020	SEAL, SEAT	2	2						
7	2	172B04-64030	SHEET, INSULATION	1	1						
9	1	172B03-64960	PLATE, STOPPER	1	1						
10	1	22137-100000	WASHER, 10	1	1						
11	1	22157-100000	WASHER, 10	2	2						
12	1	22417-200200	PIN, COTTER 2.0X20	1	1						
13	1	26013-080162	BOLT, M8X 16	1	1						
14	1	26013-100202	BOLT, M10X 20	2	2						
15	1	26014-100252	BOLT, M10X 25	5	5						

Fig.80. PLUG(SEAT MOUNT)

(A)=VIO50-6B P(BR)
 (B)=VIO50-6B C(BR)
 (C)=

(D)=
 (E)=
 (F)=

No.	Lev.	Parts No.	Description	Q'ty						I	R
				(A)	(B)	(C)	(D)	(E)	(F)		
1	1	172444-17660	CLIP, TREE	2	2						
2	1	172165-62830	GROMMET			1					
3	1	172165-62830	GROMMET	2							
4	1	172491-62830	GROMMET		1						

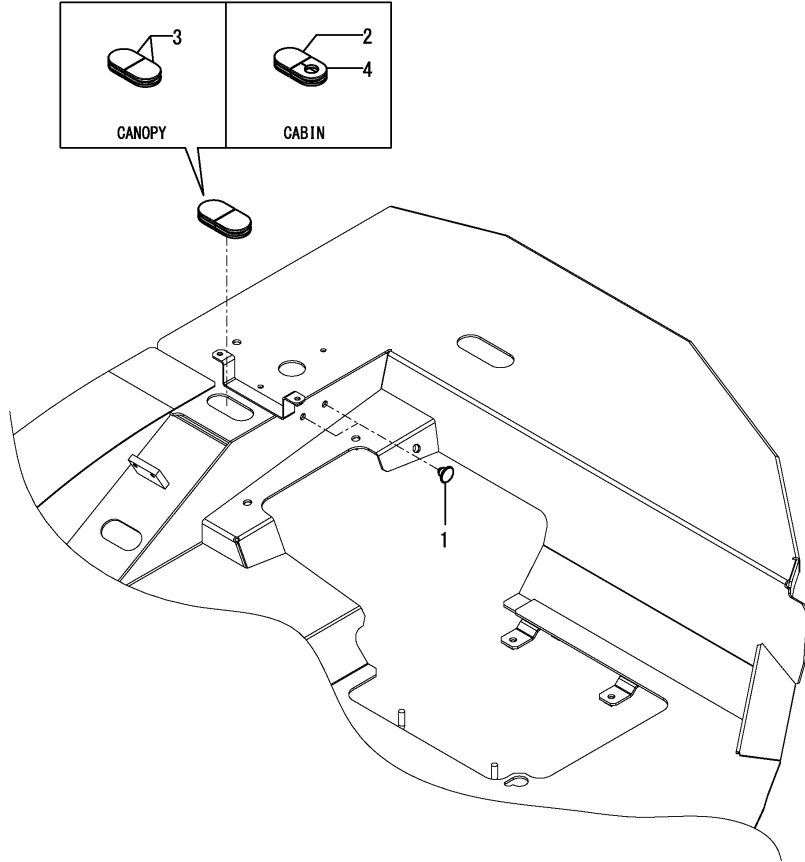
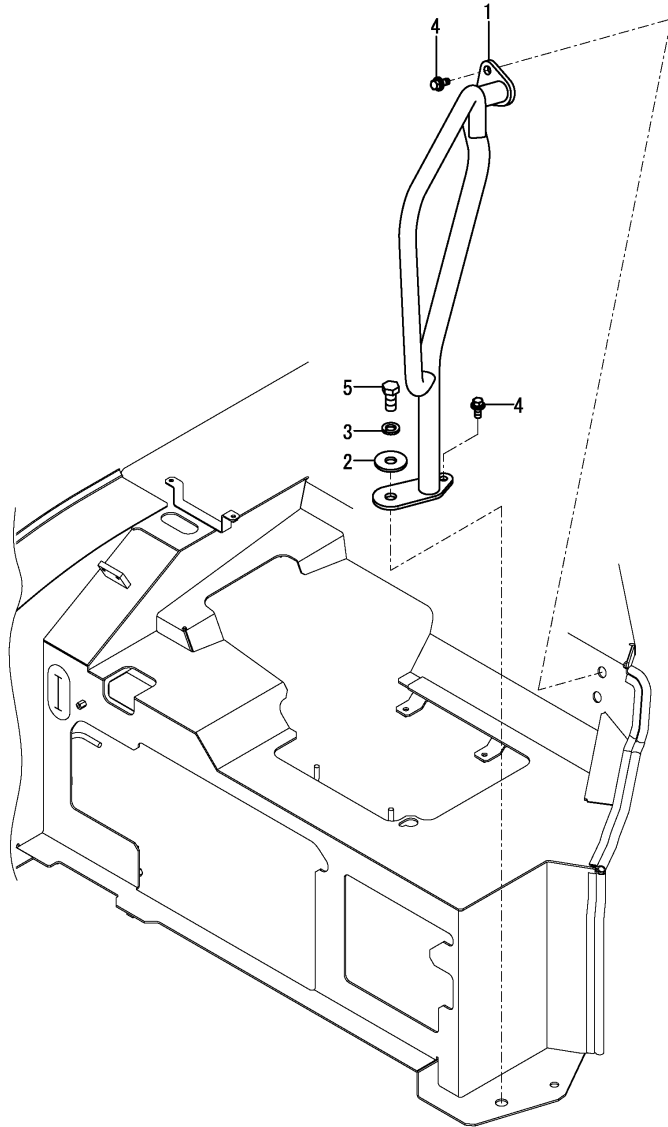


Fig.81. HANDRAIL(LEFT)

(A)=VIO50-6B P(BR)
 (B)=VIO50-6B C(BR)
 (C)=

(D)=
 (E)=
 (F)=



No.	Lev.	Parts No.	Description	Q'ty						I	R
				(A)	(B)	(C)	(D)	(E)	(F)		
1	1	172B03-64700	HANDRAIL ASSY	1							
2	1	22157-160000	WASHER, 16	1							
3	1	22217-160000	WASHER, SPRING 16	1							
4	1	26014-100252	BOLT, M10X 25	3							
5	1	26116-160352	BOLT, M16X 35 PLATED	1							

Fig.82. HANDRAIL(RIGHT)

(A)=VIO50-6B P(BR)
 (B)=VIO50-6B C(BR)
 (C)=

(D)=
 (E)=
 (F)=

No.	Lev.	Parts No.	Description	Q'ty						I	R
				(A)	(B)	(C)	(D)	(E)	(F)		
1	1	172B03-17990	COVER, CONNECTOR	1							
2	1	172137-46210	SCREW	2							
3	1	172B03-64780	HANDRAIL ASSY, R-Q	1							
4	1	172122-79940	CLIP, HOSE	1							
5	1	26014-100252	BOLT, M10X 25	2							

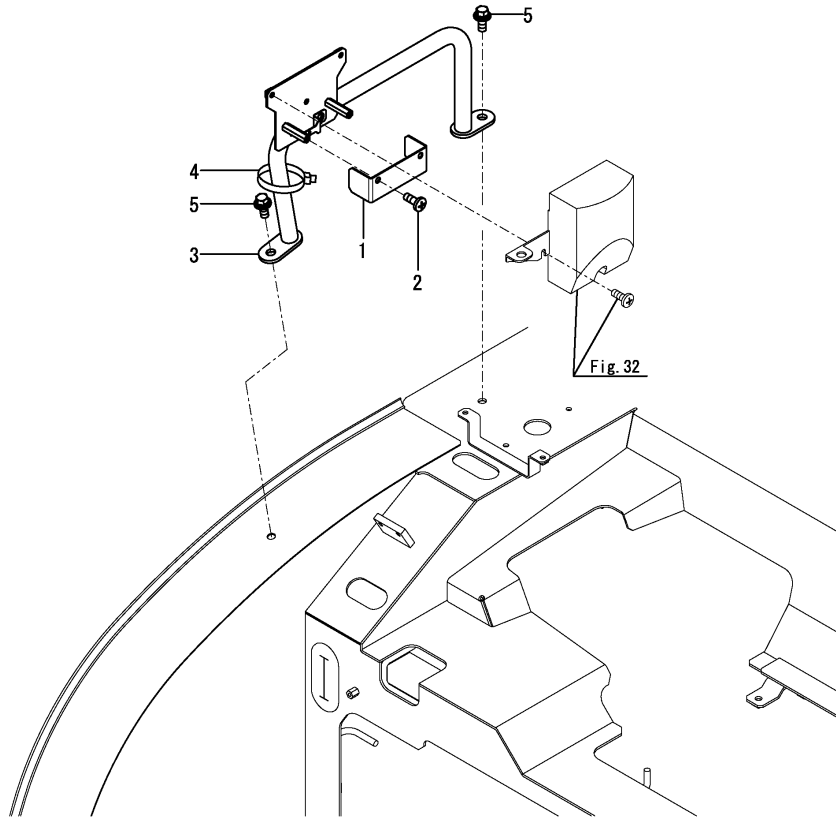
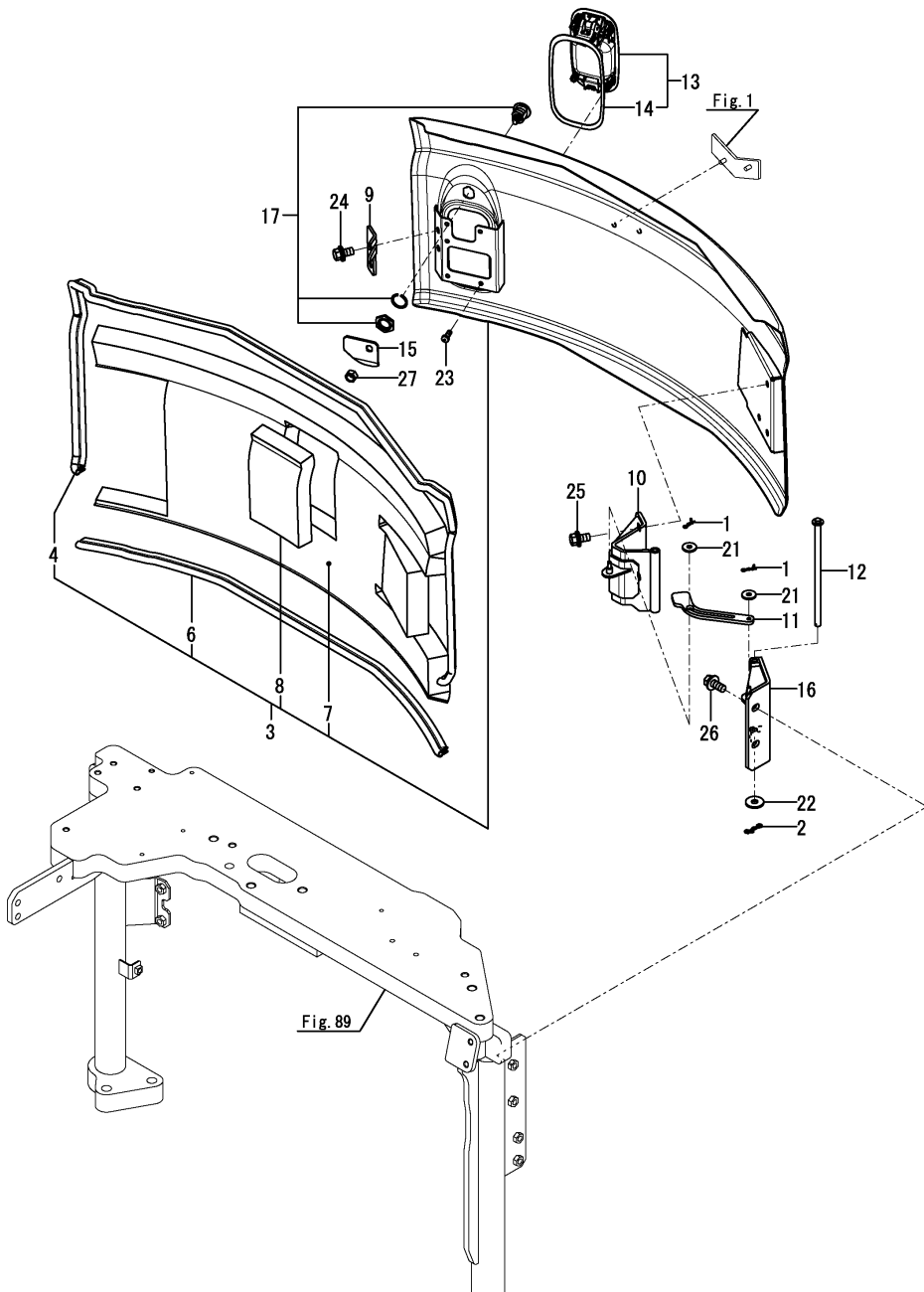


Fig.83. BONNET(REAR)

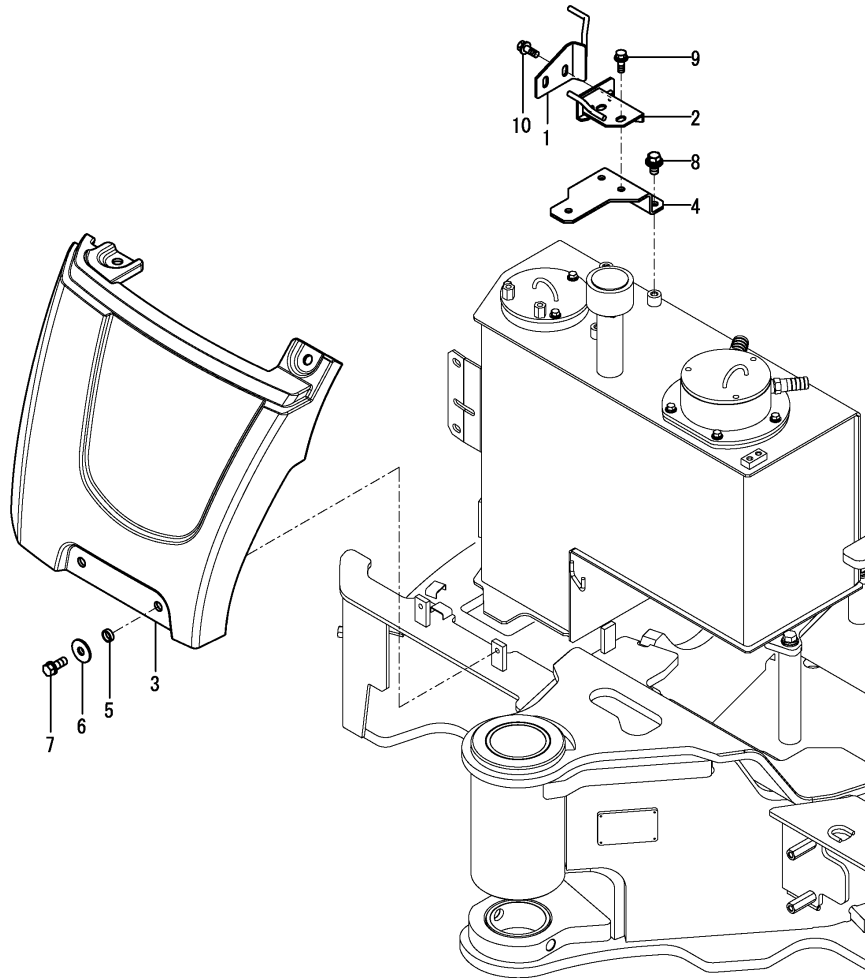
(A)=VIO50-6B P(BR)
 (B)=VIO50-6B C(BR)
 (C)=

(D)=
 (E)=
 (F)=



No.	Lev.	Parts No.	Description	Q'ty						I	R
				(A)	(B)	(C)	(D)	(E)	(F)		
1	1	1C6281-52310	PIN, SNAP 6	2	2						
2	1	1C6281-52320	PIN, SNAP 8	1	1						
3	1	172B05-65100	BONNET ASSY, A-FY	1	1						
4	2	172A46-13780	SEAL	1	1						
6	2	172B04-65190	SEAL, 980	1	1						
7	2	172B04-65340	SPONGE, BONNET A A	1	1						
8	2	172B04-65350	SPONGE, BONNET A B	1	1						
9	1	172B03-65170	GUIDE, BONNET	1	1						
10	1	172B04-65201	HINGE ASSY, B	1	1						
11	1	172B04-65290	GUIDE, BON.A LOCK	1	1						
12	1	172B04-65300	SHAFT ASSY, HINGE	1	1						
13	1	172B03-65310	HANDLE, LOCK	1	1						
14	2	172B02-65350	SEAL	1	1						
15	1	172B04-65390	PLATE, KEY LOCK	1	1						
16	1	172B04-65950	HINGE ASSY, A	1	1						
17	1	172B03-66170	CYLINDER ASSY, KEY	1	1						
21	1	22157-060000	WASHER, 6	2	2						
22	1	22157-080000	WASHER, 8	1	1						
23	1	22857-600160	SCREW, 6X16	4	4						
24	1	26014-100202	BOLT, M10X 20	2	2						
25	1	26014-100252	BOLT, M10X 25	2	2						
26	1	26014-100252	BOLT, M10X 25	2	2						
27	1	26347-100002	NUT, M10	1	1						

Fig.84. BONNET(FRONT)



(A)=VIO50-6B P(BR)
 (B)=VIO50-6B C(BR)
 (C)=

(D)=
 (E)=
 (F)=

No.	Lev.	Parts No.	Description	Q'ty						I	R
				(A)	(B)	(C)	(D)	(E)	(F)		
1	1	172B04-61600	LOCK ASSY,KEY	1	1						
2	1	172B04-61851	LOCK ASSY, COVER B	1	1						
3	1	172B04-65410	BONNET, B	1	1						
4	1	172B04-65450	STAY ASSY, BONNET B	1	1						
5	1	172A47-65550	COLLAR	4	4						
6	1	22157-100000	WASHER, 10	4	4						
7	1	26013-100252	BOLT, M10X 25	4	4						
8	1	26014-100202	BOLT, M10X 20	2	2						
9	1	26014-100252	BOLT, M10X 25	2	2						
10	1	26014-100252	BOLT, M10X 25	2	2						

Fig.85. BONNET(LEFT)

(A)=VIO50-6B P(BR)
 (B)=VIO50-6B C(BR)
 (C)=

(D)=
 (E)=
 (F)=

No.	Lev.	Parts No.	Description	Q'ty						I	R
				(A)	(B)	(C)	(D)	(E)	(F)		
1	1	172B04-65600	BONNET ASSY, L	1	1						
2	2	172186-13660	RUBBER	1	1						
4	2	172B04-65650	SEAL, 290	1	1						
5	2	172B04-65670	SPONGE, BONNET L A	1	1						
6	1	172B04-65700	STAY ASSY, BON.L LOW	1	1						
7	1	172B04-65730	STAY ASSY, BON.L UP	1	1						
8	1	26014-100252	BOLT, M10X 25	3	3						
9	1	26014-100252	BOLT, M10X 25	2	2						
10	1	26014-100252	BOLT, M10X 25	2	2						

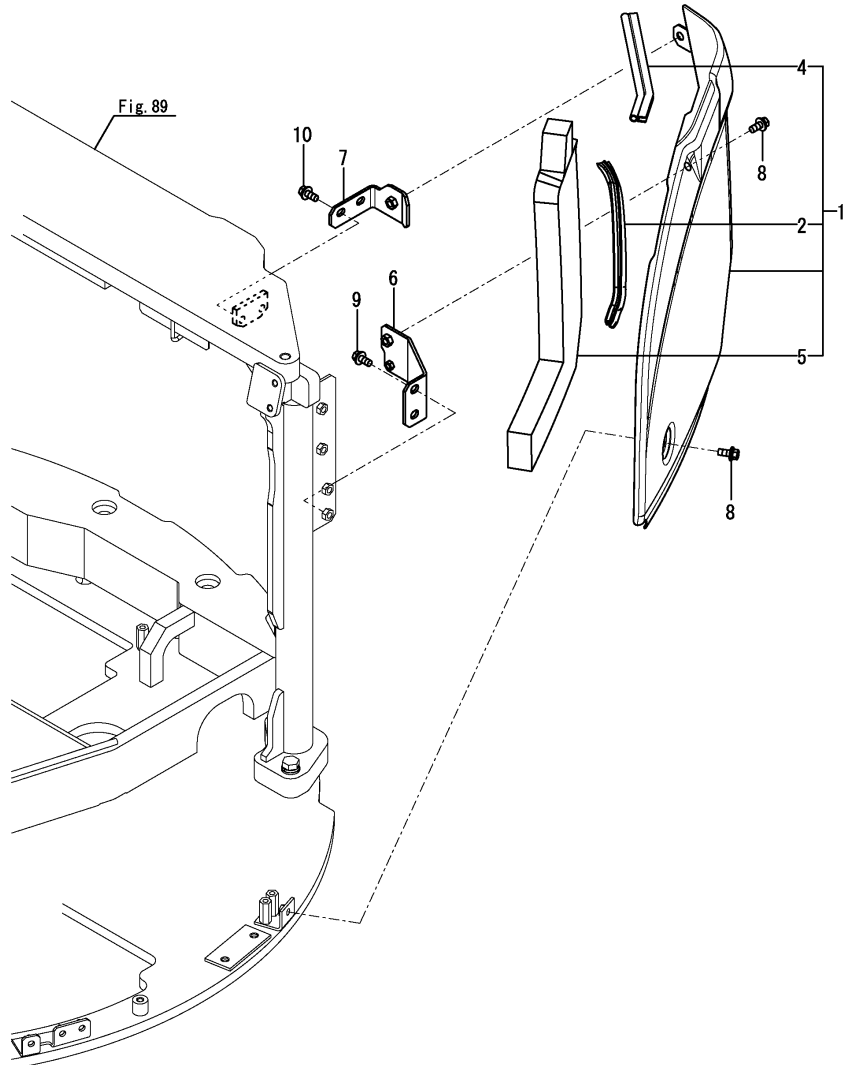
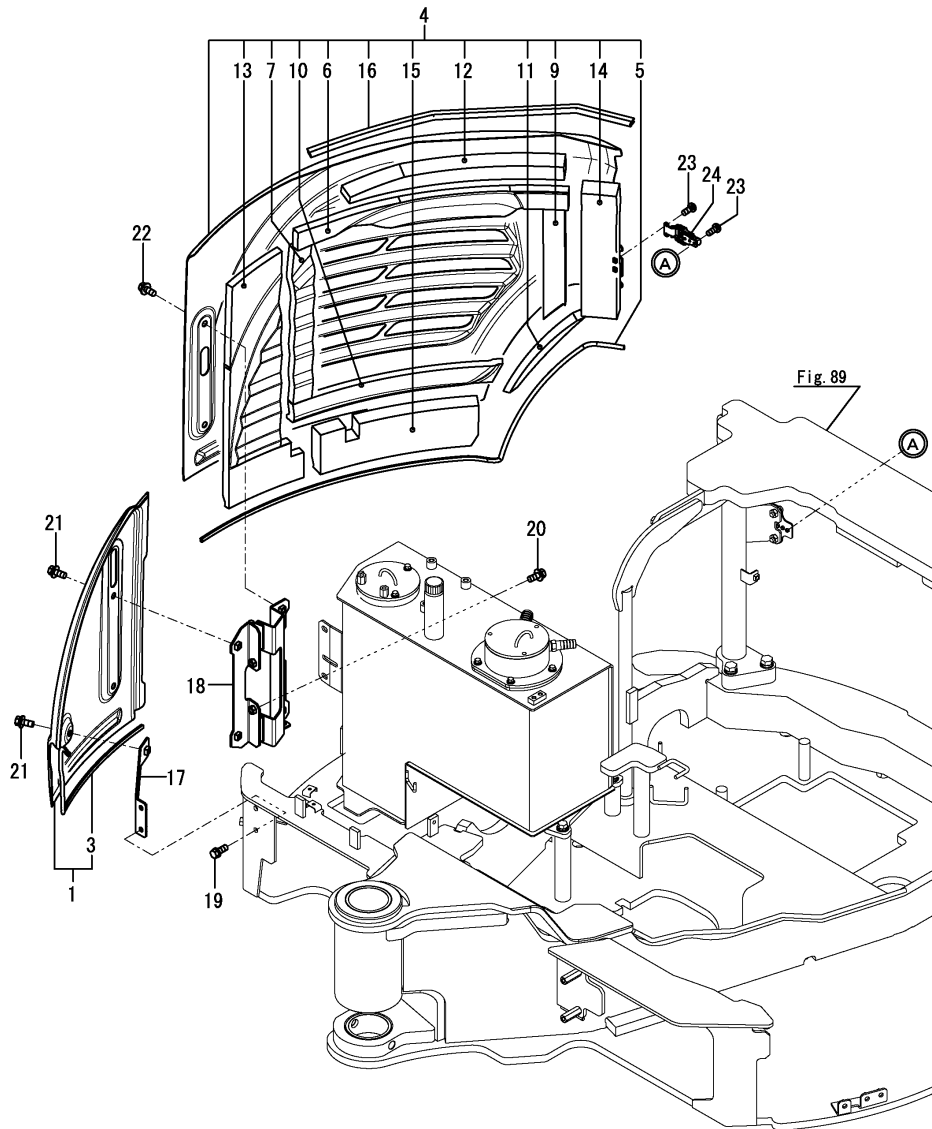


Fig.86. BONNET(RIGHT)



(A)=VIO50-6B P(BR)
 (B)=VIO50-6B C(BR)
 (C)=

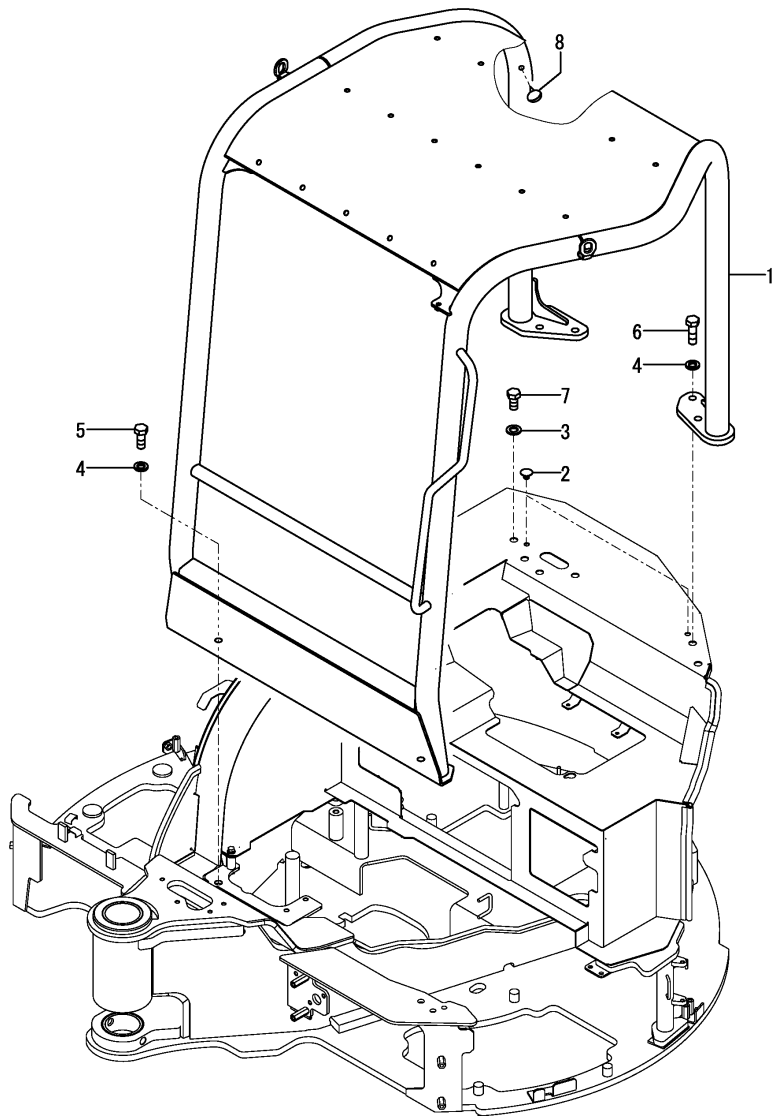
(D)=
 (E)=
 (F)=

No.	Lev.	Parts No.	Description	Q'ty						I	R
				(A)	(B)	(C)	(D)	(E)	(F)		
1	1	172B04-65800	BONNET ASSY, FRONT R	1	1						
3	2	172B05-65910	SEAL, 640	1	1						
4	1	172B04-65820	BONNET ASSY, REAR R	1	1						
5	2	172538-61250	SEAL, 1250	1	1						
6	2	172B05-65810	SEAL, A BON.R	1	1						
7	2	172B05-65820	SEAL, B BON.R	1	1						
9	2	172B05-65830	SEAL, C BON.R	1	1						
10	2	172B05-65840	SEAL, D BON.R	1	1						
11	2	172B05-65851	SEAL, BONNET E R	1	1						
12	2	172B05-65860	SPONGE, A BON.R	1	1						
13	2	172B05-65870	SPONGE, B BON.R	1	1						
14	2	172B05-65880	SPONGE, C BON.R	1	1						
15	2	172B05-65890	SPONGE, D BON.R	1	1						
16	2	172B05-65930	SEAL, 765	1	1						
17	1	172B04-65900	STAY ASSY, BONNET RF	1	1						
18	1	172B03-65950	HINGE ASSY, BONNET R	1	1						
19	1	26013-100252	BOLT, M10X 25	2	2						
20	1	26014-100252	BOLT, M10X 25	2	2						
21	1	26014-100252	BOLT, M10X 25	3	3						
22	1	26014-100252	BOLT, M10X 25	2	2						
23	1	26557-050122	SCREW, M5X12	5	5						
24	1	933171-18750	CLIP, CATCH	1	1						

Fig.87. CANOPY

(A)=VIO50-6B P(BR)
 (B)=VIO50-6B C(BR)
 (C)=

(D)=
 (E)=
 (F)=



No.	Lev.	Parts No.	Description	Q'ty						I	R
				(A)	(B)	(C)	(D)	(E)	(F)		
1	1	172B03-66300	CANOPY ASSY, ROPS	1							
2	1	172176-68210	CLIP, TREE	2							
3	1	22137-160000	WASHER, 16	1							
4	1	22217-160000	WASHER, SPRING 16	6							
5	1	26076-160402	BOLT, 10.916X 40	2							
6	1	26076-160502	BOLT, 10.916X 50	4							
7	1	26116-160302	BOLT, M16X 30 PLATED	1							
8	1	1E8080-78890	PLUG, 14	1							

Fig.88. CANOPY LAMP

(A)=VIO50-6B P(BR)
 (B)=VIO50-6B C(BR)
 (C)=

(D)=
 (E)=
 (F)=

No.	Lev.	Parts No.	Description	Q'ty						I	R
				(A)	(B)	(C)	(D)	(E)	(F)		
1	1	172126-11510	BAND	1							
2	1	172B03-16650	HARNESS,LAMP B	1							
3	1	172B04-16660	HARNESS,LAMP A	1							
4	1	1A7611-86351	LAMP, WORK 55W	1							
5	2	1A7611-86270	BULB, 12V-55W	1							
7	1	22137-100000	WASHER, 10	1							
8	1	26013-100202	BOLT, M10X 20	1							

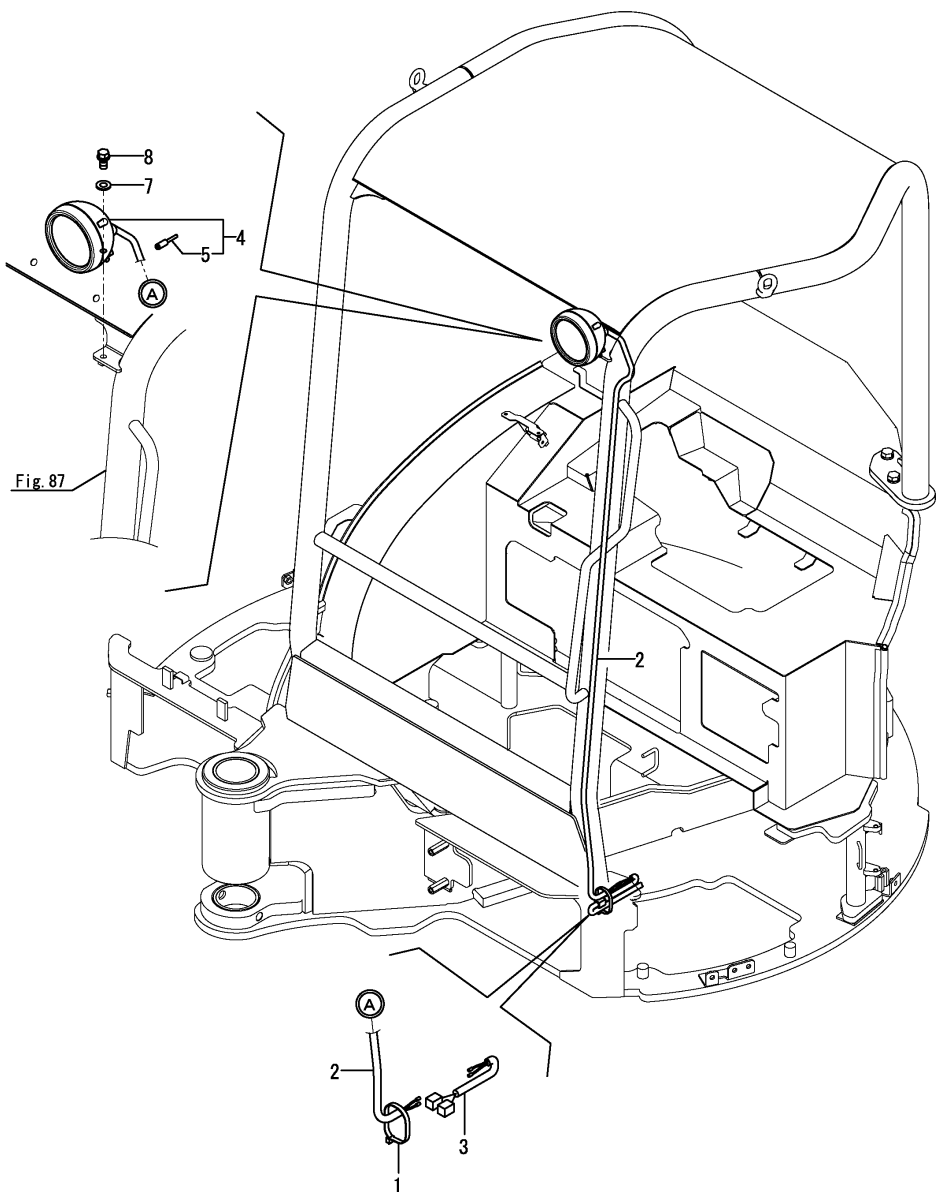
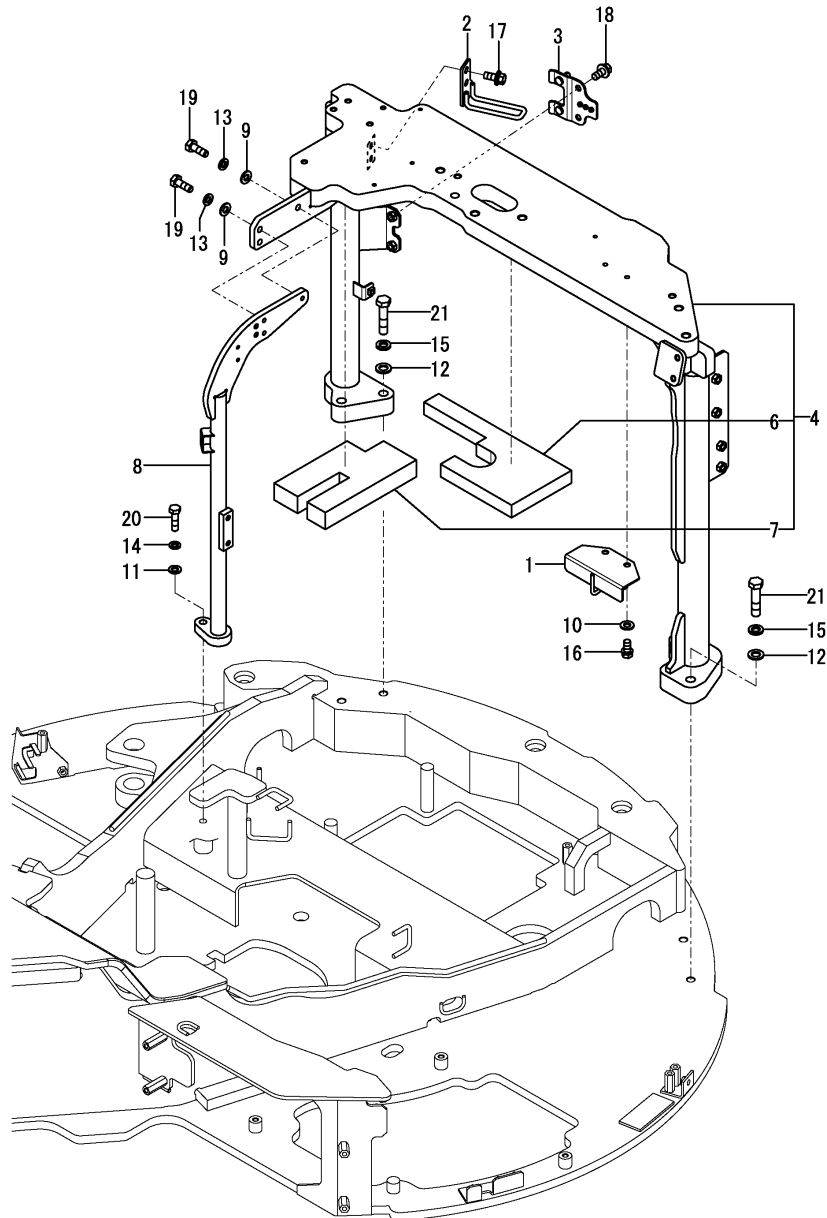


Fig. 87

Fig.89. CANOPY MOUNT

(A)=VIO50-6B P(BR)
 (B)=VIO50-6B C(BR)
 (C)=

(D)=
 (E)=
 (F)=

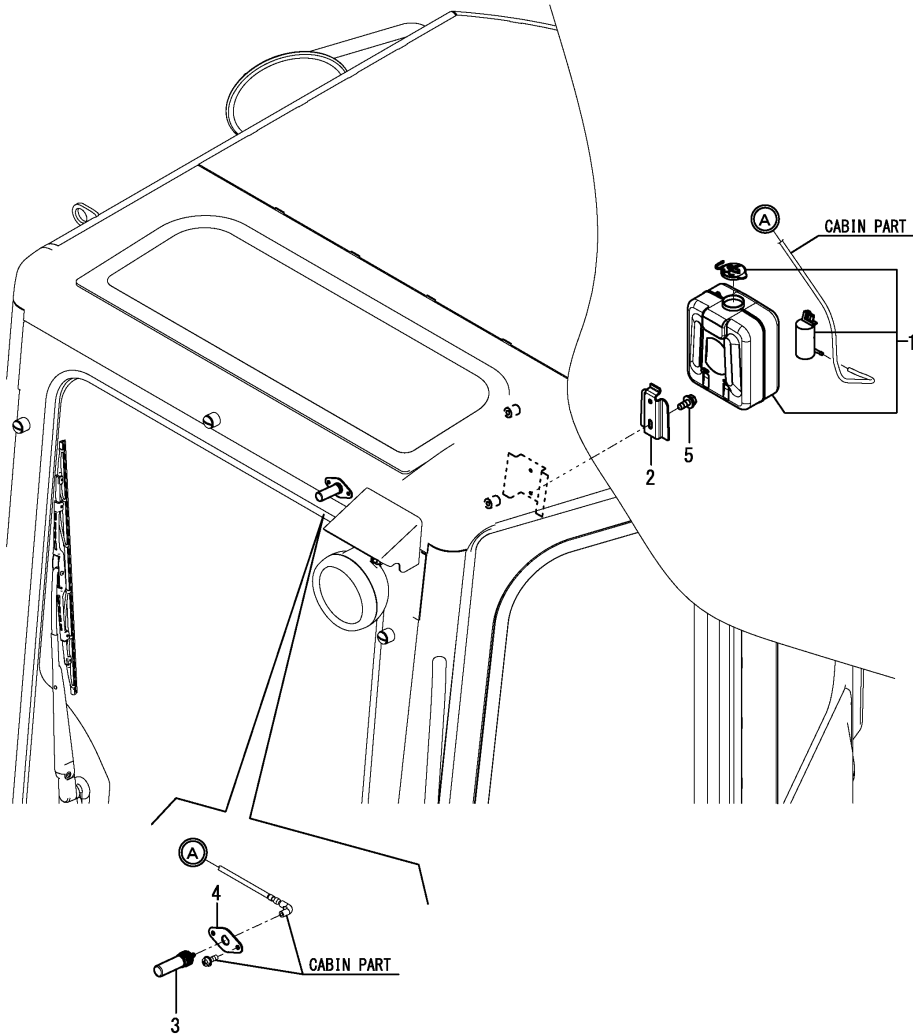


No.	Lev.	Parts No.	Description	Q'ty						I	R
				(A)	(B)	(C)	(D)	(E)	(F)		
1	1	172B04-17350	BRACKET ASSY,HNS MNT	1	1						
2	1	172B03-65350	CATCH ASSY, BONNET	1	1						
3	1	172B03-65920	BRACKET ASSY,BON.R	1	1						
4	1	172B04-67500	MOUNT ASSY,A CANOPY	1	1						
6	2	172B04-67780	SPONGE, MOUNT A	1	1						
7	2	172B04-67790	SPONGE, MOUNT B	1	1						
8	1	172B04-67811	MOUNT ASSY, B	1	1						
9	1	22137-100000	WASHER, 10	3	3						
10	1	22137-100000	WASHER, 10	2	2						
11	1	22137-120000	WASHER, 12	1	1						
12	1	22137-160000	WASHER, 16	4	4						
13	1	22217-100000	WASHER, SPRING 10	3	3						
14	1	22217-120000	WASHER, SPRING 12	1	1						
15	1	22217-160000	WASHER, SPRING 16	4	4						
16	1	26013-100202	BOLT, M10X 20	2	2						
17	1	26014-100252	BOLT, M10X 25	2	2						
18	1	26014-100252	BOLT, M10X 25	2	2						
19	1	26076-100302	BOLT, 10.910X 30	3	3						
20	1	26076-120452	BOLT, 10.912X 45	1	1						
21	1	26076-160702	BOLT, 10.916X 70	4	4						

Fig.90. WINDOW WASHER

(A)=VIO50-6B P(BR)
 (B)=VIO50-6B C(BR)
 (C)=

(D)=
 (E)=
 (F)=



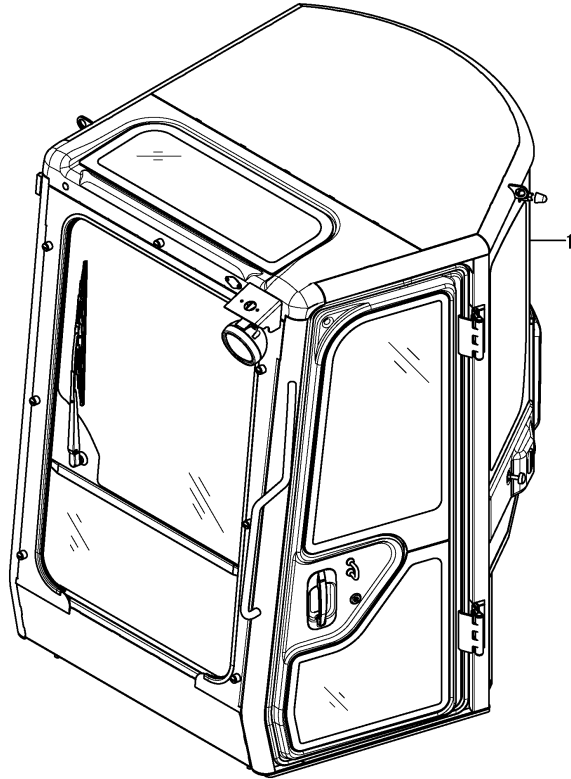
No.	Lev.	Parts No.	Description	Q'ty						I	R	
				(A)	(B)	(C)	(D)	(E)	(F)			
1	1	172472-17611	TANK ASSY, WASHER		1							
2	1	120147-44810	BRACKET		1							
3	1	172538-66510	NOZZLE, WASHER		1							
4	1	172B02-67910	PLATE, NOZZLE		1							
5	1	26014-060162	BOLT, M6X 16		2							

Fig.91. CABIN

(A)=VIO50-6B P(BR)
 (B)=VIO50-6B C(BR)
 (C)=

(D)=
 (E)=
 (F)=

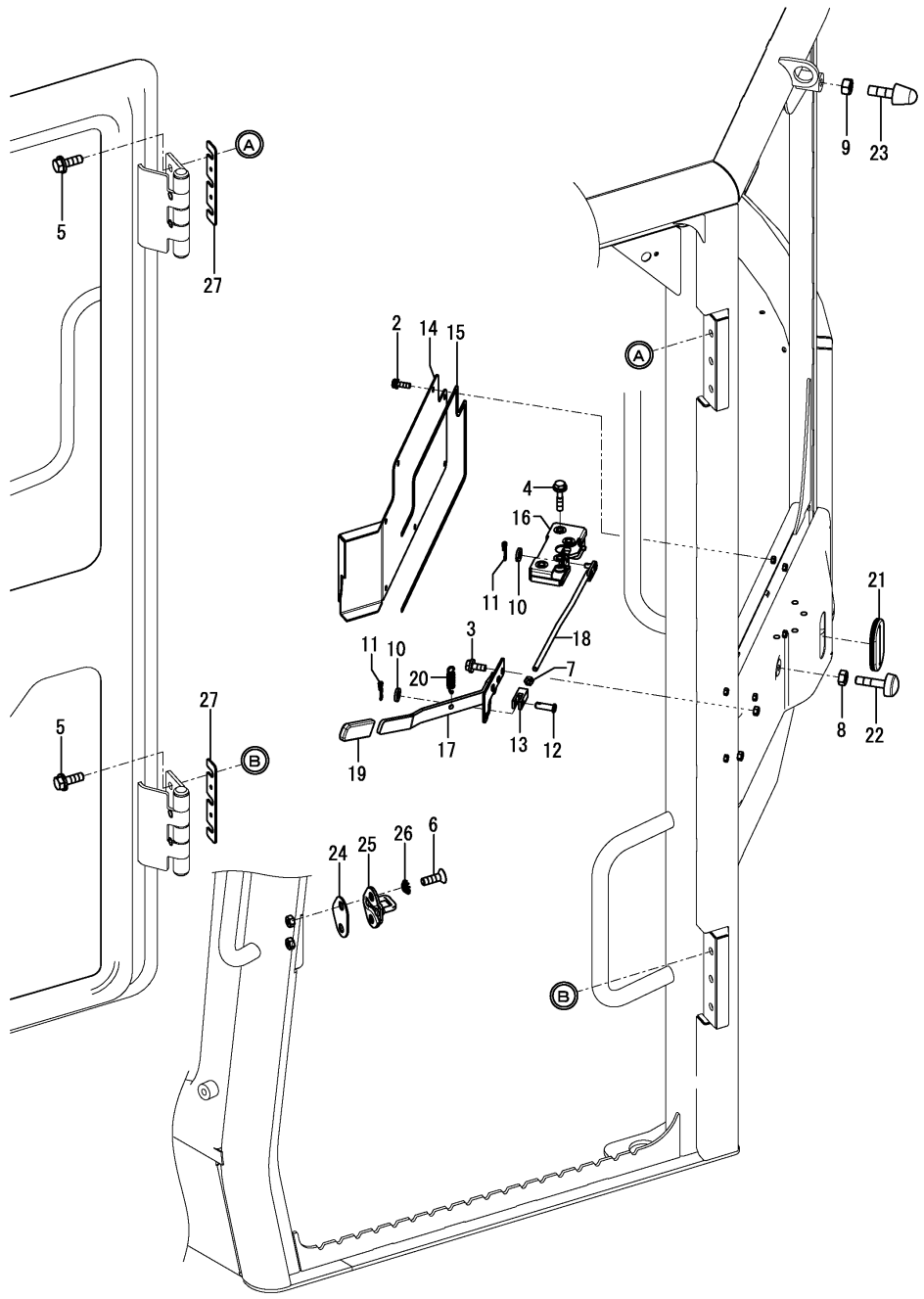
No.	Lev.	Parts No.	Description	Q'ty						I	R
				(A)	(B)	(C)	(D)	(E)	(F)		
1	1	172B02-68002	CABIN ASSY		1						1



Remarks

(1) Inner parts are shown in Fig.99 from Fig.92.

Fig.92. CABIN DOOR(1)

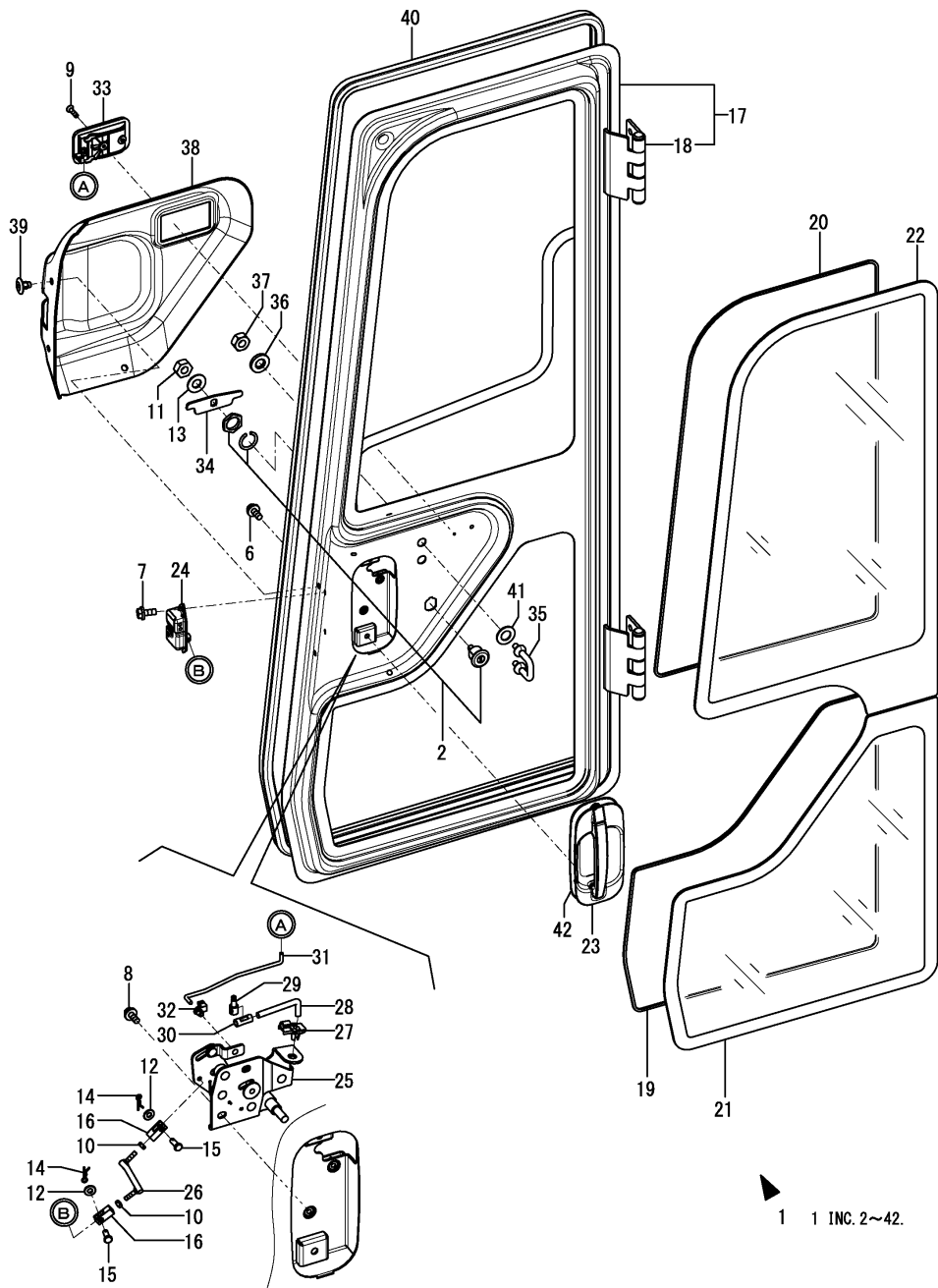


(A)=VIO50-6B P(BR)
 (B)=VIO50-6B C(BR)
 (C)=

(D)=
 (E)=
 (F)=

No.	Lev.	Parts No.	Description	Q'ty						I	R
				(A)	(B)	(C)	(D)	(E)	(F)		
2	3	172B02-67100	SCREW, SEMS 5X16 B		7						
3	3	172B02-67160	BOLT, SEMS 6X16		2						
4	3	172B02-67180	BOLT, SEMS 6X30		4						
5	3	172B02-67210	BOLT, SEMS 8X20		6						
6	3	172B02-67390	SCREW, SOCKET 8X25		2						
7	3	172B02-67410	NUT, M6		1						
8	3	172B02-67430	NUT, M10		1						
9	3	172B02-67440	NUT, M12		1						
10	3	172B02-67550	WASHER, 6		2						
11	3	172B02-67620	PIN, SNAP 6		2						
12	3	172B02-67670	PIN, FLAT HEAD 6X20		1						
13	3	172B02-67710	YOKE, 6		1						
14	3	172B02-69610	COVER, CAB L		1						
15	3	172B02-69620	SEAL, COVER L		1						
16	3	172B02-69630	CATCH ASSY, DOOR		1						
17	3	172B02-69640	LEVER ASSY, DOOR		1						
18	3	172B02-69650	ROD ASSY, OPEN LOCK		1						
19	3	172B02-69660	COVER, LEVER		1						
20	3	172B02-69670	SPRING, LOCK LEVER		1						
21	3	172B02-69680	GROMMET, CATCH		1						
22	3	172B02-69690	STOPPER, DOOR		1						
23	3	172B02-69700	STOPPER, DOOR		1						
24	3	172B02-69850	SHIM, STRIKER DOOR		1						
25	3	172B02-69860	STRIKER, DOOR		1						
26	3	172B02-69870	WASHER, TOOTHED LOCK		2						
27	3	172B02-69970	SHIM, HINGE DOOR		2						

Fig.93. CABIN DOOR(2)



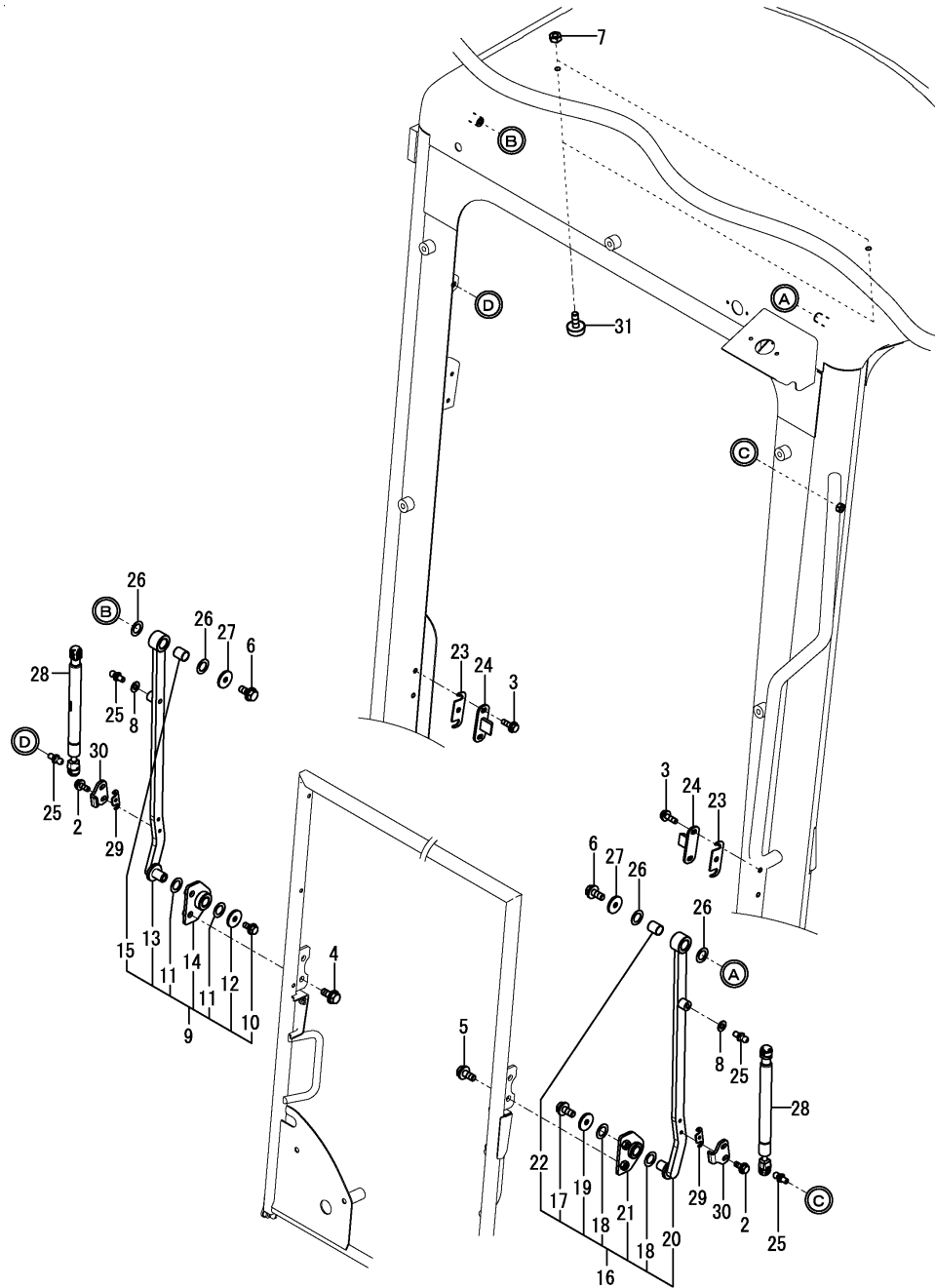
1 1 INC. 2~42.

(A)=VIO50-6B P(BR)
(B)=VIO50-6B C(BR)
(C)=

(D)=
(E)=
(F)=

No.	Lev.	Parts No.	Description	Q'ty						I	R
				(A)	(B)	(C)	(D)	(E)	(F)		
1	3	172B02-68200	DOOR ASSY, CABIN		1						
2	4	172B03-66170	CYLINDER ASSY, KEY		1						
6	4	172B02-67150	BOLT, SEMS 6X12		2						
7	4	172B02-67160	BOLT, SEMS 6X16		2						
8	4	172B02-67160	BOLT, SEMS 6X16		2						
9	4	172B02-67350	SCREW, FLAT 4X14 B		1						
10	4	172B02-67400	NUT, M4		2						
11	4	172B02-67430	NUT, M10		1						
12	4	172B02-67500	WASHER, 4		2						
13	4	172B02-67530	WASHER, 10		1						
14	4	172B02-67600	PIN, SNAP 4		2						
15	4	172B02-67650	PIN, FLAT HEAD 4X12		2						
16	4	172B02-67700	YOKE, 4		2						
17	4	172B02-68210	FRAME ASSY, DOOR		1						
18	5	172B02-68220	HINGE, DOOR		2						
19	4	172B02-68230	DAM, 1800		1						
20	4	172B02-68240	DAM, 2150		1						
21	4	172B02-68250	GLASS, DOOR LOW		1						
22	4	172B02-68260	GLASS, DOOR UP		1						
23	4	172B02-68270	HANDLE ASSY, OUTER		1						
24	4	172B02-68280	LOCK ASSY, DOOR		1						
25	4	172B02-68290	CONTROLLER ASSY, RMT		1						
26	4	172B02-68300	ROD ASSY, LINK LOCK		1						
27	4	172B02-68310	CLIP, ROD 6		1						
28	4	172B02-68320	ROD ASSY, LINK O/H		1						
29	4	172B02-68330	PIN, REGULATE		1						
30	4	172B02-68340	TUBE, ROD 6		1						
31	4	172B02-68350	ROD, LINK I/H-R/M		1						
32	4	172B02-68360	CLIP, ROD 3.5		1						
33	4	172B02-68370	HANDLE, DOOR INNER		1						
34	4	172B02-68380	PLATE, KEY LOCK DOOR		1						
35	4	172B02-68390	STRIKER ASSY, DOOR		1						
36	4	172B02-68400	WASHER, 10 BK		2						
37	4	172B02-68410	NUT, M10 BK		2						
38	4	172B02-68420	COVER, DOOR INNER		1						
39	4	172B02-68430	RIVET, 8		4						
40	4	172B02-68440	SEAL, DOOR		1						
41	4	172B02-68450	WASHER, SEAL 12		2						
42	4	172B02-69620	SEAL, COVER L		1						

Fig.94. CABIN(FRONT WINDOW)(1)

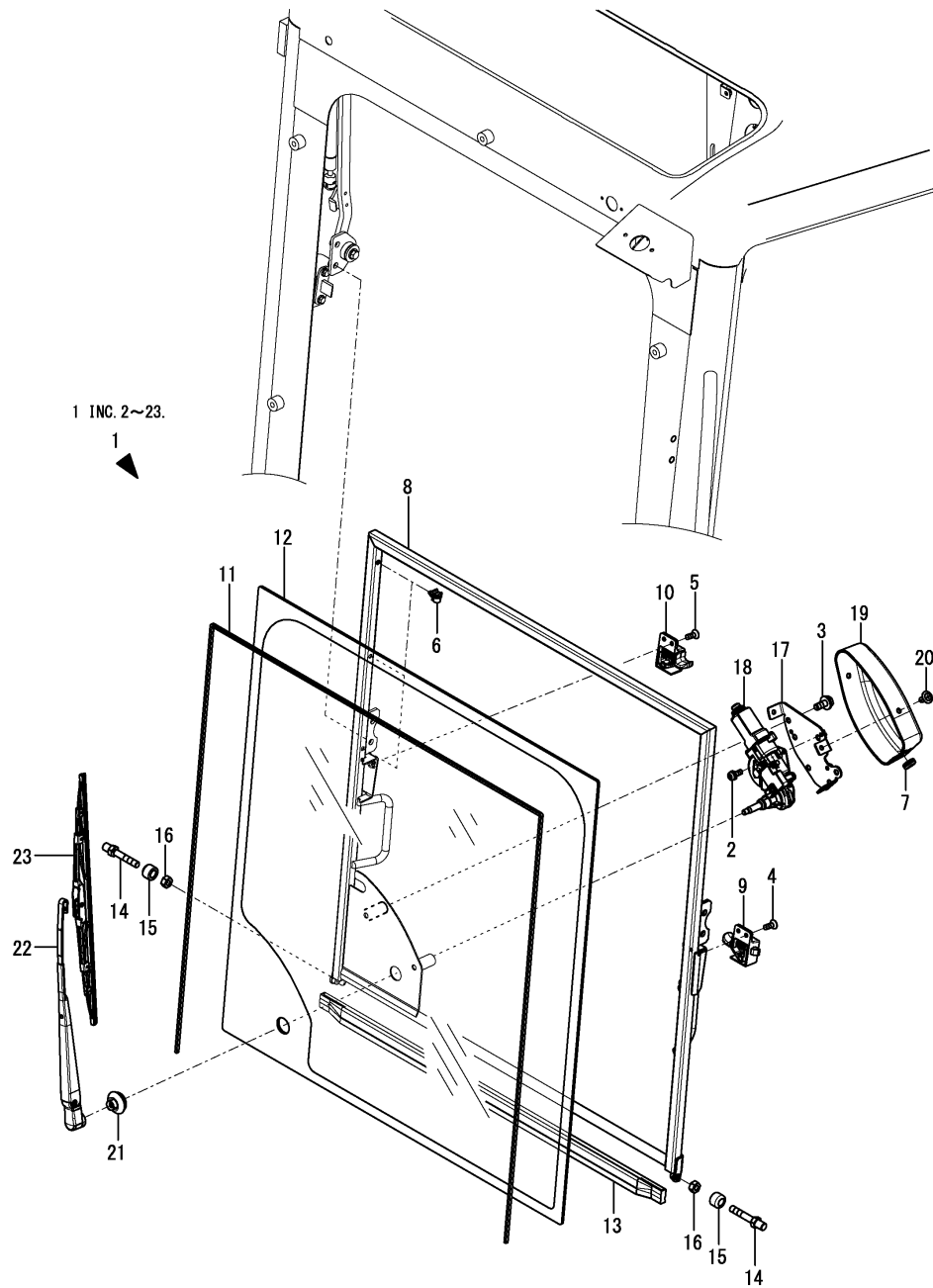


(A)=VIO50-6B P(BR)
 (B)=VIO50-6B C(BR)
 (C)=

(D)=
 (E)=
 (F)=

No.	Lev.	Parts No.	Description	Q'ty						I	R
				(A)	(B)	(C)	(D)	(E)	(F)		
2	3	172B02-67250	BOLT, SEMS 6X16 B		4						
3	3	172B02-67260	BOLT, SEMS 6X20 B		4						
4	3	172B02-67280	BOLT, SEMS 8X20 B		2						
5	3	172B02-67280	BOLT, SEMS 8X20 B		2						
6	3	172B02-67280	BOLT, SEMS 8X20 B		2						
7	3	172B02-67430	NUT, M10		2						
8	3	172B02-67520	WASHER, 8		2						
9	3	172B02-69120	ARM ASSY, R F/W		1						
10	4	172B02-67280	BOLT, SEMS 8X20 B		1						
11	4	172B02-69170	WASHER, THRUST 16		2						
12	4	172B02-69180	WASHER, 8.5X30X3.2		1						
13	4	172B02-69260	ARM ASSY, R		1						
14	4	172B02-69280	BRACKET ASSY, ARM		1						
15	4	172B02-69290	BUSH, 17X20		1						
16	3	172B02-69130	ARM ASSY, L F/W		1						
17	4	172B02-67280	BOLT, SEMS 8X20 B		1						
18	4	172B02-69170	WASHER, THRUST 16		2						
19	4	172B02-69180	WASHER, 8.5X30X3.2		1						
20	4	172B02-69270	ARM ASSY, L		1						
21	4	172B02-69280	BRACKET ASSY, ARM		1						
22	4	172B02-69290	BUSH, 17X20		1						
23	3	172B02-69140	SHIM, LOCK PLATE		2						
24	3	172B02-69150	STRIKER ASSY, F/W		2						
25	3	172B02-69160	BALL, STUD		4						
26	3	172B02-69170	WASHER, THRUST 16		4						
27	3	172B02-69180	WASHER, 8.5X30X3.2		2						
28	3	172B02-69190	SPRING, GAS FRONT G		2						
29	3	172B02-69200	SHIM, STRIKER ARM		2						
30	3	172B02-69210	STRIKER, ARM		2						
31	3	172B02-69220	STOPPER, F/W		2						

Fig.95. CABIN(FRONT WINDOW)(2)



(A)=VIO50-6B P(BR)
 (B)=VIO50-6B C(BR)
 (C)=

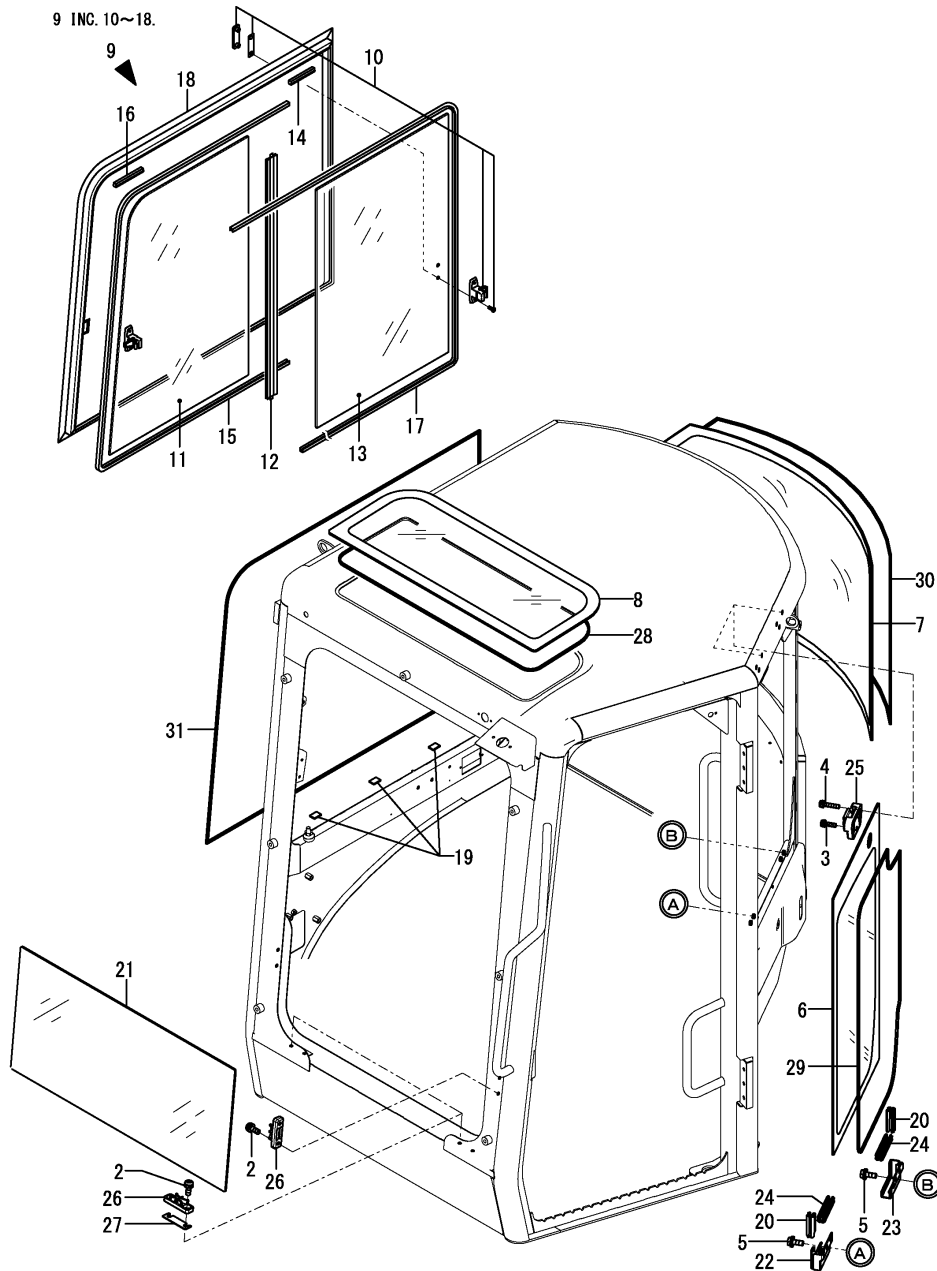
(D)=
 (E)=
 (F)=

No.	Lev.	Parts No.	Description	Q'ty						I	R
				(A)	(B)	(C)	(D)	(E)	(F)		
1	3	172B02-68500	WINDOW ASSY, FRONT		1						
2	4	172B02-67020	SCREW, SEMS 5X12		3						
3	4	172B02-67200	BOLT, SEMS 8X16		2						
4	4	172B02-67380	SCREW, SOCKET 6X16		2						
5	4	172B02-67380	SCREW, SOCKET 6X16		2						
6	4	172B02-67870	CLAMP, CABLE 5		3						
7	4	172B02-67950	CAP, 10		1						
8	4	172B02-68510	FRAME ASSY, FRONT		1						
9	4	172B02-68520	LOCK ASSY, L F/W		1						
10	4	172B02-68530	LOCK ASSY, R F/W		1						
11	4	172B02-68540	DAM, 2450		1						
12	4	172B02-68550	GLASS, FRONT UP		1						
13	4	172B02-68560	SEAL, FRONT GLASS		1						
14	4	172B02-68570	BOLT, ROLLER		2						
15	4	172B02-68580	ROLLER, 18X13		2						
16	4	172B02-68590	NUT, M8 BK		2						
17	4	172B02-68600	BRACKET ASSY,W-MOTOR		1						
18	4	172B02-68610	MOTOR, WIPER		1						
19	4	172B02-68620	COVER, WIPER MOTOR		1						
20	4	172B02-68630	RIVET, 7		3						
21	4	172B02-68640	CAP, WIPER		1						
22	4	172B02-68650	ARM, WIPER		1						
23	4	172B02-68660	BLADE, WIPER		1						

Fig.96. CABIN(GLASS)

(A)=VIO50-6B P(BR)
 (B)=VIO50-6B C(BR)
 (C)=

(D)=
 (E)=
 (F)=

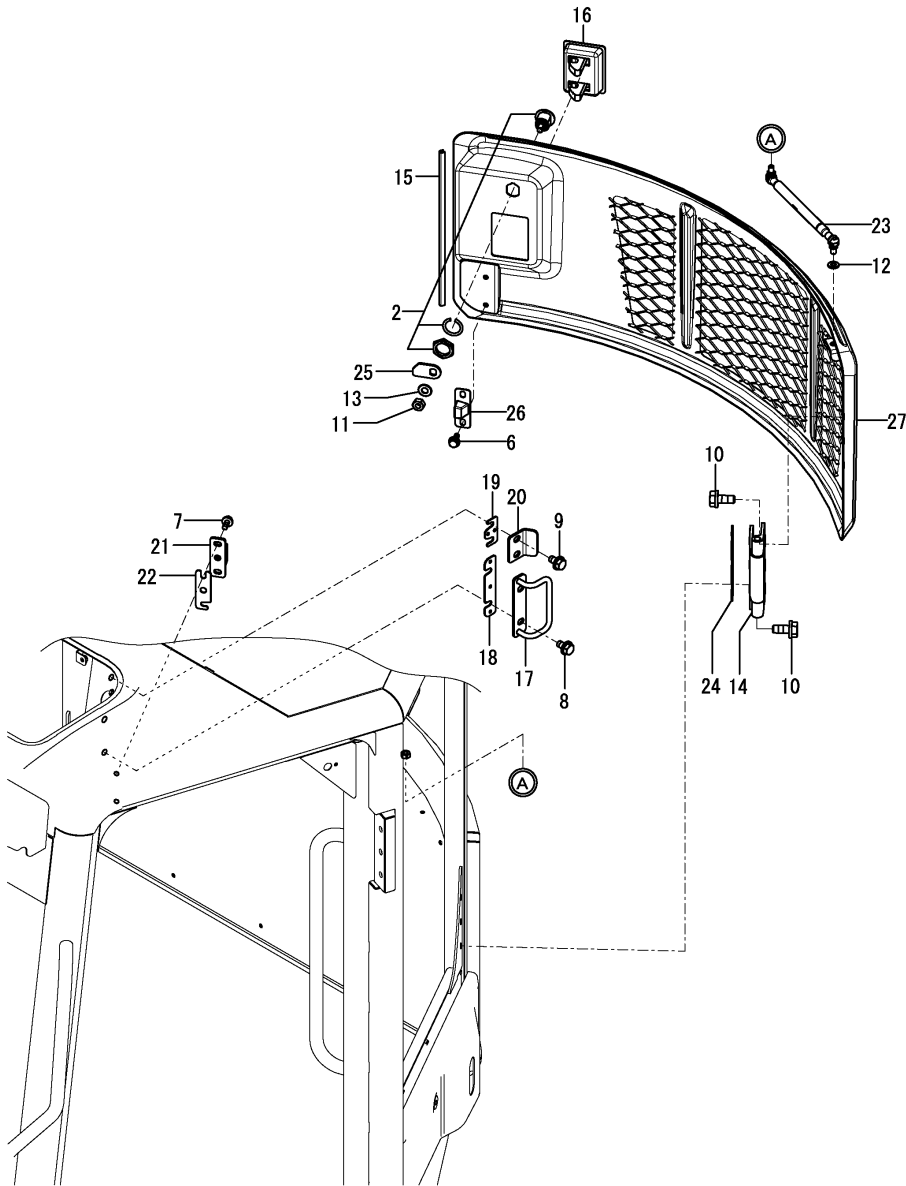


No.	Lev.	Parts No.	Description	Q'ty						I	R
				(A)	(B)	(C)	(D)	(E)	(F)		
2	3	172B02-67060	SCREW, SEMS 6X16		8						
3	3	172B02-67120	SCREW, SEMS 6X20 B		2						
4	3	172B02-67140	SCREW, SEMS 6X30 B		4						
5	3	172B02-67250	BOLT, SEMS 6X16 B		4						
6	3	172B02-69230	GLASS, SIDE L		1						
7	3	172B02-69240	GLASS, REAR		1						
8	3	172B02-69250	ROOF, POLYCARBONATE		1						
9	3	172B02-69301	SASH ASSY		1						
10	4	172B02-69311	LOCK ASSY, SASH 28		2						
11	4	172B02-69321	GLASS, SASH FRONT		1						
12	4	172B02-69351	SEAL, SASH		1						
13	4	172B02-69361	GLASS, SASH REAR		1						
14	4	172B02-69401	STOPPER, SASH A		1						
15	4	172B02-69411	GLASSRUN, 2471		1						
16	4	172B02-69421	STOPPER, SASH B		1						
17	4	172B02-69431	GLASSRUN, 2500		1						
18	4	172B02-69451	FRAME ASSY, SASH		1						
19	3	172B02-69460	SHEET, STOPPER		3						
20	3	172B02-69490	GLASSRUN, 40		2						
21	3	172B02-69500	GLASS, FRONT LOWER		1						
22	3	172B02-69510	HOLDER ASSY, GLASS R		1						
23	3	172B02-69520	HOLDER ASSY, GLASS L		1						
24	3	172B02-69530	GLASSRUN, 80		2						
25	3	172B02-69540	HOLDER, GLASS		2						
26	3	172B02-69550	SEAT, GLASS		4						
27	3	172B02-69560	SHIM, SEAT GLASS		2						
28	3	172B02-69570	DAM, 1900		1						
29	3	172B02-69580	DAM, 2300		1						
30	3	172B02-69590	DAM, 2900		1						
31	3	172B02-69600	DAM, 3550		1						

Fig.97. CABIN(REAR COVER)

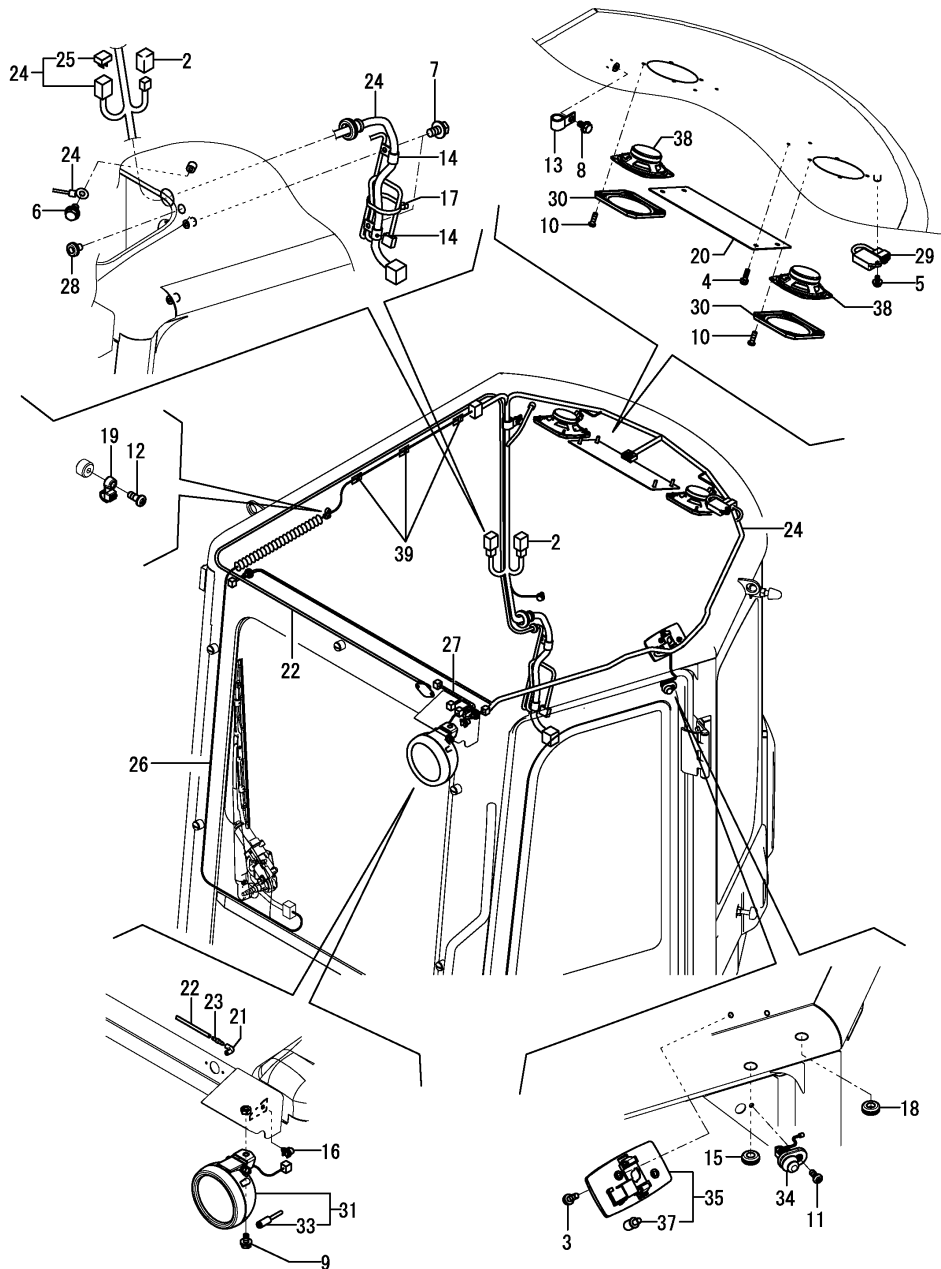
(A)=VIO50-6B P(BR)
 (B)=VIO50-6B C(BR)
 (C)=

(D)=
 (E)=
 (F)=



No.	Lev.	Parts No.	Description	Q'ty						I	R
				(A)	(B)	(C)	(D)	(E)	(F)		
2	3	172B03-66170	CYLINDER ASSY, KEY		1						
6	3	172B02-67160	BOLT, SEMS 6X16		2						
7	3	172B02-67170	BOLT, SEMS 6X20		2						
8	3	172B02-67200	BOLT, SEMS 8X16		2						
9	3	172B02-67200	BOLT, SEMS 8X16		2						
10	3	172B02-67230	BOLT, SEMS 10X25		6						
11	3	172B02-67430	NUT, M10		1						
12	3	172B02-67520	WASHER, 8		1						
13	3	172B02-67530	WASHER, 10		1						
14	3	172527-68980	HINGE, DOOR		1						
15	3	172B02-69010	TRIM, REAR COVER		1						
16	3	172B02-69040	HANDLE, LOCK BLACK		1						
17	3	172B02-69710	CATCH ASSY, COVER R		1						
18	3	172B02-69720	SHIM, CATCH R COVER		1						
19	3	172B02-69730	SHIM, LOCK PLATE		1						
20	3	172B02-69740	PLATE, LOCK		1						
21	3	172B02-69750	CATCH, DOVE TAIL B		1						
22	3	172B02-69760	SHIM, DOVE TAIL		1						
23	3	172B02-69770	SPRING, GAS REAR COV		1						
24	3	172B02-69780	SHIM, HINGE REAR		1						
25	3	172B02-69790	PLATE, KEY LOCK		1						
26	3	172B02-69800	CATCH, DOVE TAIL A		1						
27	3	172B02-69810	COVER ASSY, REAR		1						

Fig.98. CABIN(ELECTRIC PARTS)

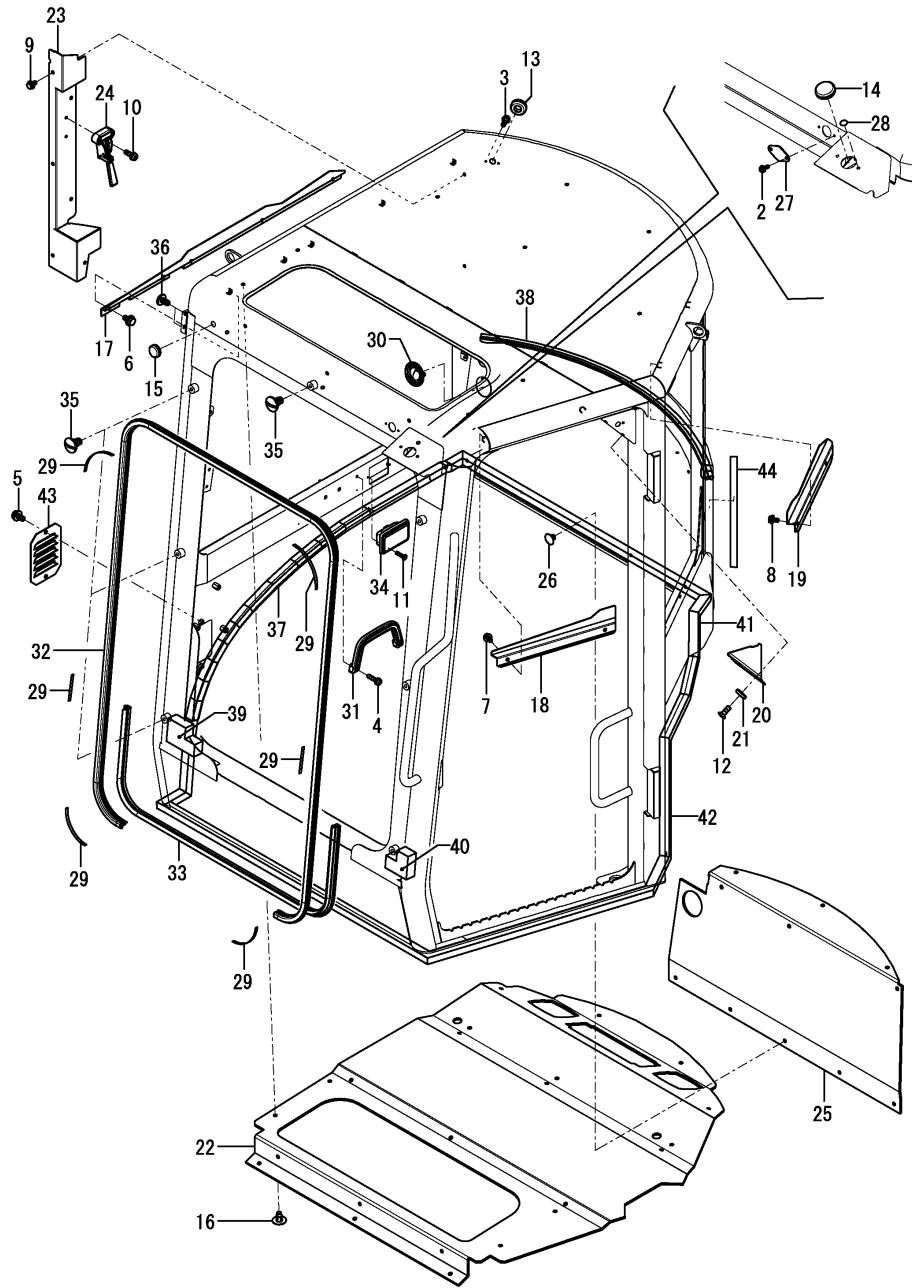


(A)=VIO50-6B P(BR)
 (B)=VIO50-6B C(BR)
 (C)=

(D)=
 (E)=
 (F)=

No.	Lev.	Parts No.	Description	Q'ty						I	R
				(A)	(B)	(C)	(D)	(E)	(F)		
2	3	172B02-17160	RELAY,CAA TYPE		1						
3	3	172B02-67040	SCREW, SEMS 5X16		2						
4	3	172B02-67120	SCREW, SEMS 6X20 B		4						
5	3	172B02-67150	BOLT, SEMS 6X12		1						
6	3	172B02-67190	BOLT, SEMS 8X12		1						
7	3	172B02-67200	BOLT, SEMS 8X16		2						
8	3	172B02-67200	BOLT, SEMS 8X16		1						
9	3	172B02-67290	BOLT, SEMS 10X20 B		1						
10	3	172B02-67300	SCREW, PAN 4X12 B		8						
11	3	172B02-67310	SCREW, PAN 5X12 B		1						
12	3	172B02-67310	SCREW, PAN 5X12 B		1						
13	3	172B02-67750	CLIP, HOSE 14		1						
14	3	172B02-67760	CLIP, HOSE 17		2						
15	3	172B02-67800	GROMMET, 10		1						
16	3	172B02-67850	CLAMP, CABLE 3		1						
17	3	172B02-67870	CLAMP, CABLE 5		1						
18	3	172B02-67950	CAP, 10		1						
19	3	172B02-68750	CLIP, HARNESS		1						
20	3	172B02-68820	COVER, RADIO LESS		1						
21	3	172B02-68850	JOINT, WASHER		1						
22	3	172B02-68860	HOSE, WASHER		1						
23	3	172B02-68870	VALVE, CHECK WASHER		1						
24	3	172B02-69102	HARNESS, CAB MAIN		1						
25	4	172648-16600	DIODE, 1.5-2P		1						
26	3	172B02-69110	HARNESS, WIPER MOTOR		1						
27	3	172B02-69980	HARNESS, WORK LAMP		1						
28	3	172B02-69990	GROMMET, 15X 21X 8		1						
29	3	128300-77920	TIMER, GLOW PLUG		1						
30	3	1E9535-79420	COVER, SPEAKER		2						
31	3	1A7611-86251	LAMP, WORK 55W		1						
33	4	1A7611-86270	BULB, 12V-55W		1						
34	3	198463-86440	SWITCH, DOOR LAMP		1						
35	3	1A7470-86750	LAMP ASSY, ROOM		1						
37	4	1A7470-86770	BULB, 12V/5W		1						
38	3	1A8110-86920	SPEAKER		2						
39	3	933169-15231	STAPLE		3						

Fig.99. CABIN(ACCESSORY)



(A)=VIO50-6B P(BR)
 (B)=VIO50-6B C(BR)
 (C)=

(D)=
 (E)=
 (F)=

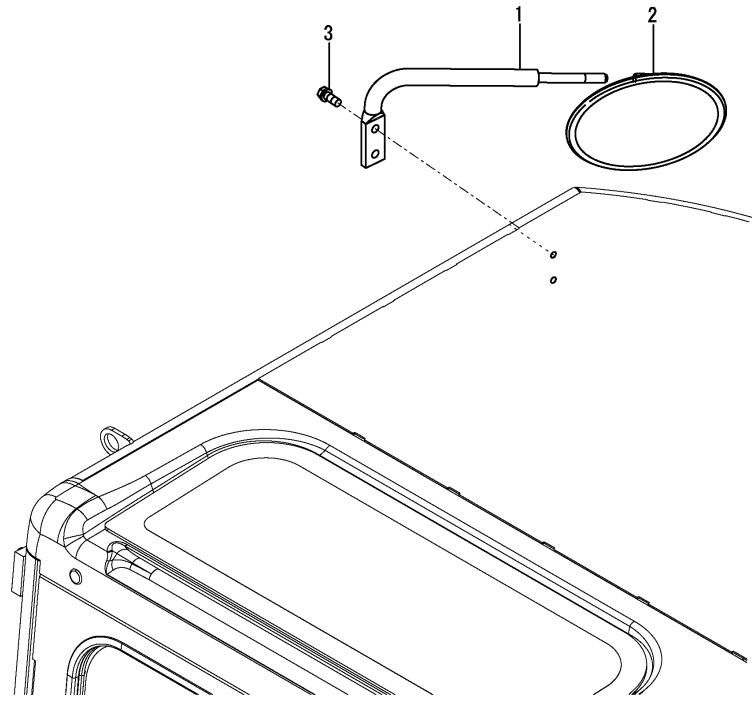
No.	Lev.	Parts No.	Description	Q'ty						I	R
				(A)	(B)	(C)	(D)	(E)	(F)		
2	3	172B02-67080	SCREW, SEMS 4X12 B		2						
3	3	172B02-67090	SCREW, SEMS 4X16 B		2						
4	3	172B02-67130	SCREW, SEMS 6X25 B		2						
5	3	172B02-67200	BOLT, SEMS 8X16		2						
6	3	172B02-67240	BOLT, SEMS 6X12 B		5						
7	3	172B02-67240	BOLT, SEMS 6X12 B		2						
8	3	172B02-67240	BOLT, SEMS 6X12 B		2						
9	3	172B02-67240	BOLT, SEMS 6X12 B		6						
10	3	172B02-67320	SCREW, PAN 5X16 B		2						
11	3	172B02-67340	SCREW, FLAT 4X16		2						
12	3	172B02-67360	SCREW, ROUND 6X16		2						
13	3	172B02-67950	CAP, 10		1						
14	3	172B02-67960	CAP, 25		1						
15	3	172B02-67970	CAP, 16		1						
16	3	172B02-68430	RIVET, 8		23						
17	3	172B02-68700	COVER, CAB TOP R		1						
18	3	172B02-68710	COVER, CAB TOP LF		1						
19	3	172B02-68720	COVER, CAB TOP LR		1						
20	3	172B02-68730	COVER, DOOR SWITCH		1						
21	3	172B02-68740	WASHER, 6 DRESSING		2						
22	3	172B02-68760	PAD, ROOF		1						
23	3	172B02-68780	COVER ASSY, HARNESS		1						
24	3	172B02-68790	HAMMER		1						
25	3	172B02-68800	PAD, REAR		1						
26	3	172B02-68810	CLIP, TREE 6		11						
27	3	172B02-68840	PLATE, NOZZLE LESS		1						
28	3	172B02-68880	SEAL, 14 GRAY		2						
29	3	172B02-68890	TAPE, BUTYL		6						
30	3	172B02-69020	GROMMET, VALVE		1						
31	3	172B02-69030	GRIP, BLACK		1						
32	3	172B02-69820	SEAL, 3450		1						
33	3	172B02-69830	SEAL, 1570		1						
34	3	172B02-69841	ASHTRAY, BLACK		1						
35	3	172B02-69880	PLUG, M10		7						
36	3	172B02-69880	PLUG, M10		2						
37	3	172B02-69890	SEAL, CABIN 1360		1						
38	3	172B02-69900	SEAL, 950		1						
39	3	172B02-69910	SEAL, FRONT R		1						
40	3	172B02-69920	SEAL, FRONT L		1						
41	3	172B02-69930	SEAL, CABIN 500		1						
42	3	172B02-69940	SEAL, CABIN 430		1						
43	3	172B02-69950	LOUVER		1						
44	3	172B02-69960	TAPE, REAR COVER		1						

Fig.100. REARVIEW MIRROR

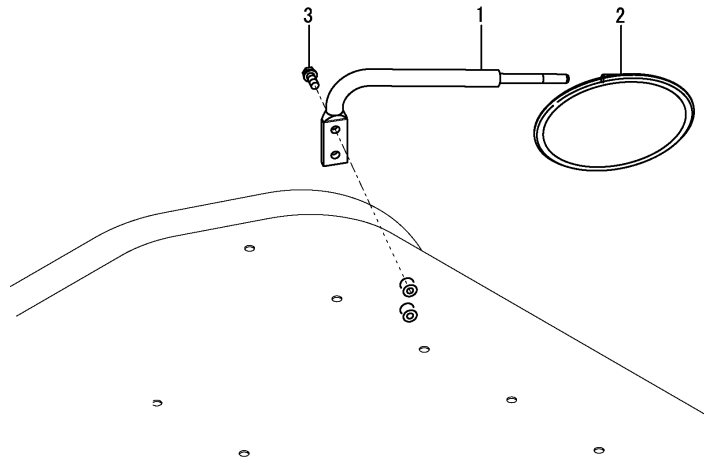
(A)=VIO50-6B P(BR)
 (B)=VIO50-6B C(BR)
 (C)=

(D)=
 (E)=
 (F)=

No.	Lev.	Parts No.	Description	Q'ty						I	R
				(A)	(B)	(C)	(D)	(E)	(F)		
1	1	172A25-68301-2	BRACKET ASSY_MIRROR	1	1						
2	1	172A25-68500	MIRROR, REARVIEW	1	1						
3	1	26013-100252	BOLT, M10X 25	2	2						



CABIN

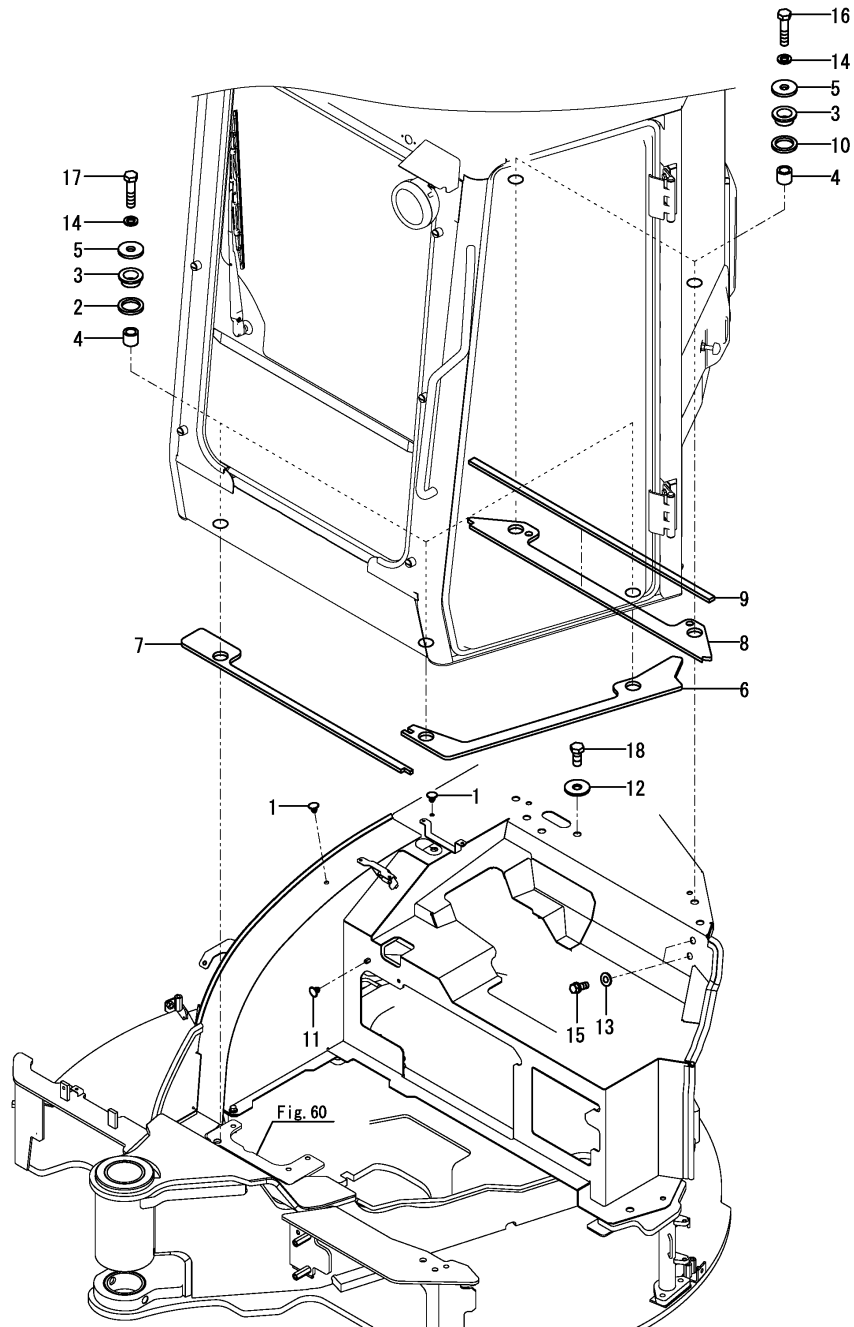


CANOPY

Fig.101. CABIN(PAD)

(A)=VIO50-6B P(BR)
 (B)=VIO50-6B C(BR)
 (C)=

(D)=
 (E)=
 (F)=

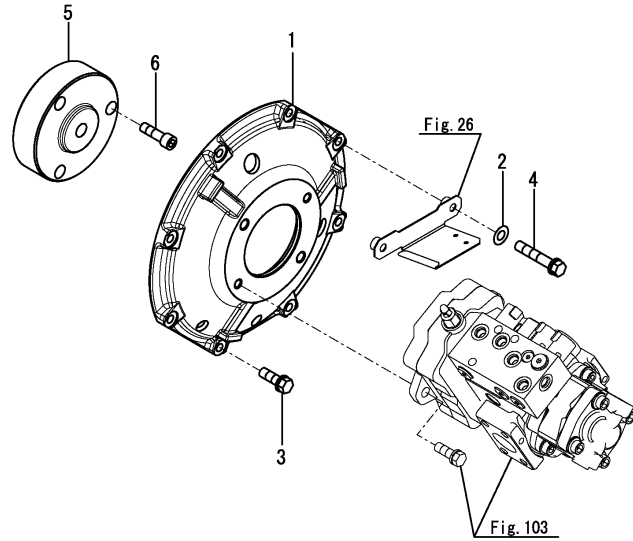


No.	Lev.	Parts No.	Description	Q'ty						I	R
				(A)	(B)	(C)	(D)	(E)	(F)		
1	1	172122-17190	CLIP, TREE		2						
2	1	172A47-68860	WASHER		3						
3	1	172A47-68870	GROMMET		5						
4	1	172A47-68880	COLLAR		5						
5	1	172A47-68890	WASHER		5						
6	1	172B02-68900	PAD, CAB SIDE		1						
7	1	172B02-68910	PAD, CAB FRONT		1						
8	1	172B02-68920	PAD, CAB REAR		1						
9	1	172B02-68930	SEAL, 10X20X880		1						
10	1	172B02-68940	WASHER, 39X52X3.2		2						
11	1	183341-91800	CLIP, TREE 5		1						
12	1	22137-160000	WASHER, 16		1						
13	1	22157-100000	WASHER, 10		2						
14	1	22217-160000	WASHER, SPRING 16		5						
15	1	26013-100162	BOLT, M10X 16		2						
16	1	26076-160552	BOLT, 10.916X 55		2						
17	1	26076-160702	BOLT, 10.916X 70		3						
18	1	26116-160302	BOLT, M16X 30 PLATED		1						

Fig.102. HYDRAULIC PUMP MOUNT

(A)=VIO50-6B P(BR)
 (B)=VIO50-6B C(BR)
 (C)=

(D)=
 (E)=
 (F)=

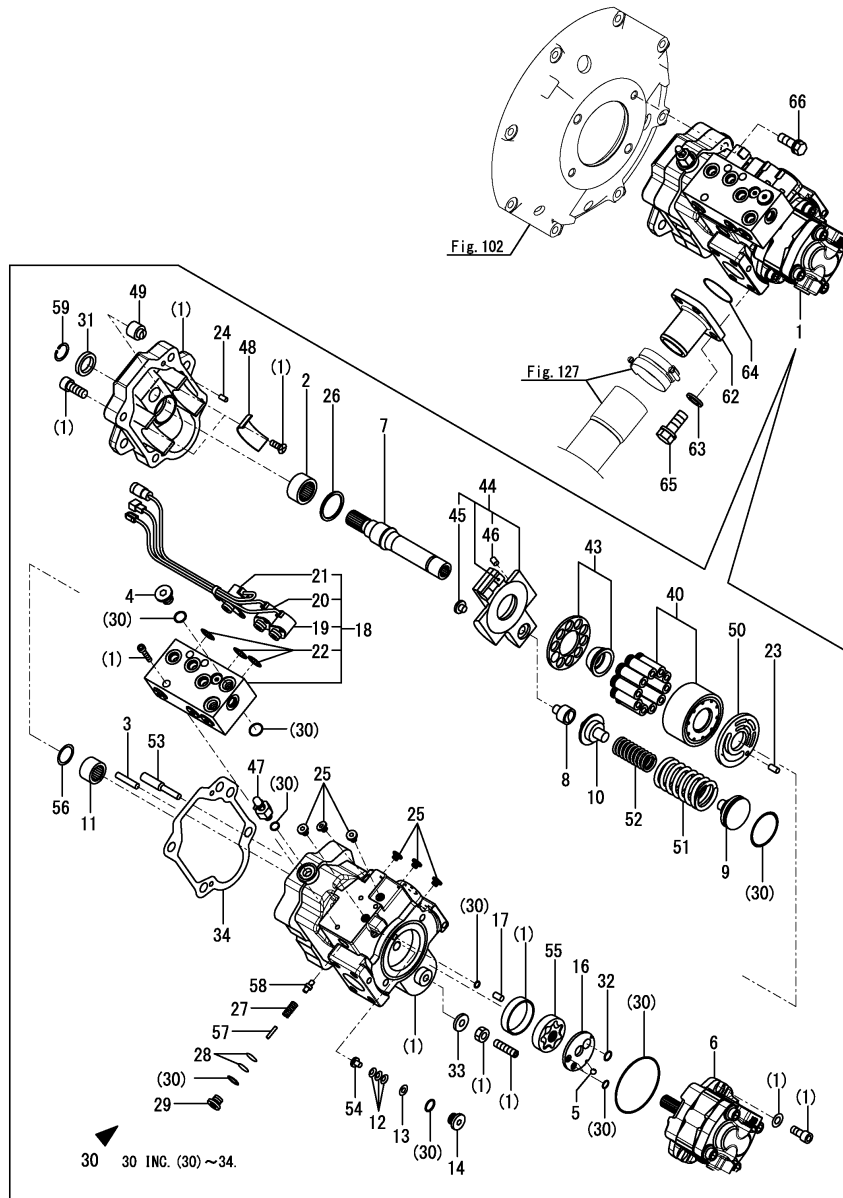


No.	Lev.	Parts No.	Description	Q'ty						I	R
				(A)	(B)	(C)	(D)	(E)	(F)		
1	1	172B04-71100	COVER, FLYWHEEL	1	1						
2	1	22137-100000	WASHER, 10	2	2						
3	1	26013-100302	BOLT, M10X 30	6	6						
4	1	26013-100502	BOLT, M10X 50	2	2						
5	1	172165-71200	COUPLING	1	1						
6	1	26450-120402	BOLT, M12X 40	3	3						

Fig.103. HYDRAULIC PUMP

(A)=VIO50-6B P(BR)
 (B)=VIO50-6B C(BR)
 (C)=

(D)=
 (E)=
 (F)=



No.	Lev.	Parts No.	Description	Q'ty						I	R
				(A)	(B)	(C)	(D)	(E)	(F)		
1	1	172B04-73110	PUMP ASSY,3SOL	1	1						
2	2	172B06-70120	BEARING, NEEDLE	1	1						
3	2	172B06-70191	PIN	1	1						
4	2	172148-70301	PLUG	2	2						
5	2	172122-70350	BALL, STEEL	1	1						
6	2	172461-73132	PUMP ASSY, GEAR	1	1						
7	2	172176-73240	SHAFT	1	1						
8	2	172460-73240	HOLDER	1	1						
9	2	172461-73270	SEAT, SPRING	1	1						
10	2	172176-73290	SEAT, SPRING	1	1						
11	2	172460-73330	BEARING, NEEDLE	1	1						
12	2	172460-73350	SPRING, DISK	3	3						
13	2	172460-73360	WASHER	1	1						
14	2	172460-73370	PLUG	1	1						
16	2	172460-73390	PLATE	1	1						
17	2	172460-73420	PIN	1	1						
18	2	172960-73431	VALVE, S/A	1	1						
19	3	172460-73900	VALVE, SOLENOID	1	1						1
20	3	172460-73910	VALVE, SOLENOID	1	1						2
21	3	172460-73920	VALVE, SOLENOID	1	1						3
22	3	24352-190110	O-RING, 219011	3	3						
23	2	172122-73480	PIN	1	1						
24	2	172122-73480	PIN	2	2						
25	2	172452-73480	PLUG	6	6						
26	2	172176-73540	THRUST WASHER	1	1						
27	2	172176-73560	SPRING	1	1						
28	2	172176-73590	SHIM	2	2						
29	2	172176-73600	PLUG	1	1						
30	2	172B04-73610	SEAL KIT,STD	1	1						
31	3	172176-73271	SEAL, OIL	1	1						
32	3	172176-73471	O-RING	1	1						
33	3	172457-73570	SEAL WASHER	1	1						
34	3	172B04-73710	GASKET	1	1						
40	2	172B04-73630	REPAIR KIT,CYL BLOCK	1	1						
43	2	172B04-73640	RETAINER KIT	1	1						
44	2	172B04-73650	REPAIR KIT,SW PLATE	1	1						
45	3	172452-73480	PLUG	2	2						
46	3	172312-74790	ORIFICE	2	2						
47	2	172176-73690	BREEDER, AIR	1	1						
48	2	172B04-73720	BUSH	2	2						
49	2	172B04-73730	STOPPER,MIN	1	1						
50	2	172B04-73750	PLATE,VALVE	1	1						
51	2	172B04-73760	SPRING,OUT	1	1						
52	2	172B04-73770	SPRING,IN	1	1						
53	2	172B04-73780	PIN	1	1						
54	2	172B04-73810	STOPPER,MAX	1	1						
55	2	172176-73880	PUMP ASSY, TROCHOID	1	1						
56	2	172176-73910	WASHER, THRUST	1	1						
57	2	172176-73930	PIN	1	1						
58	2	172176-73940	POPPET	1	1						
59	2	22252-000420	RING, 42	1	1						

Remarks

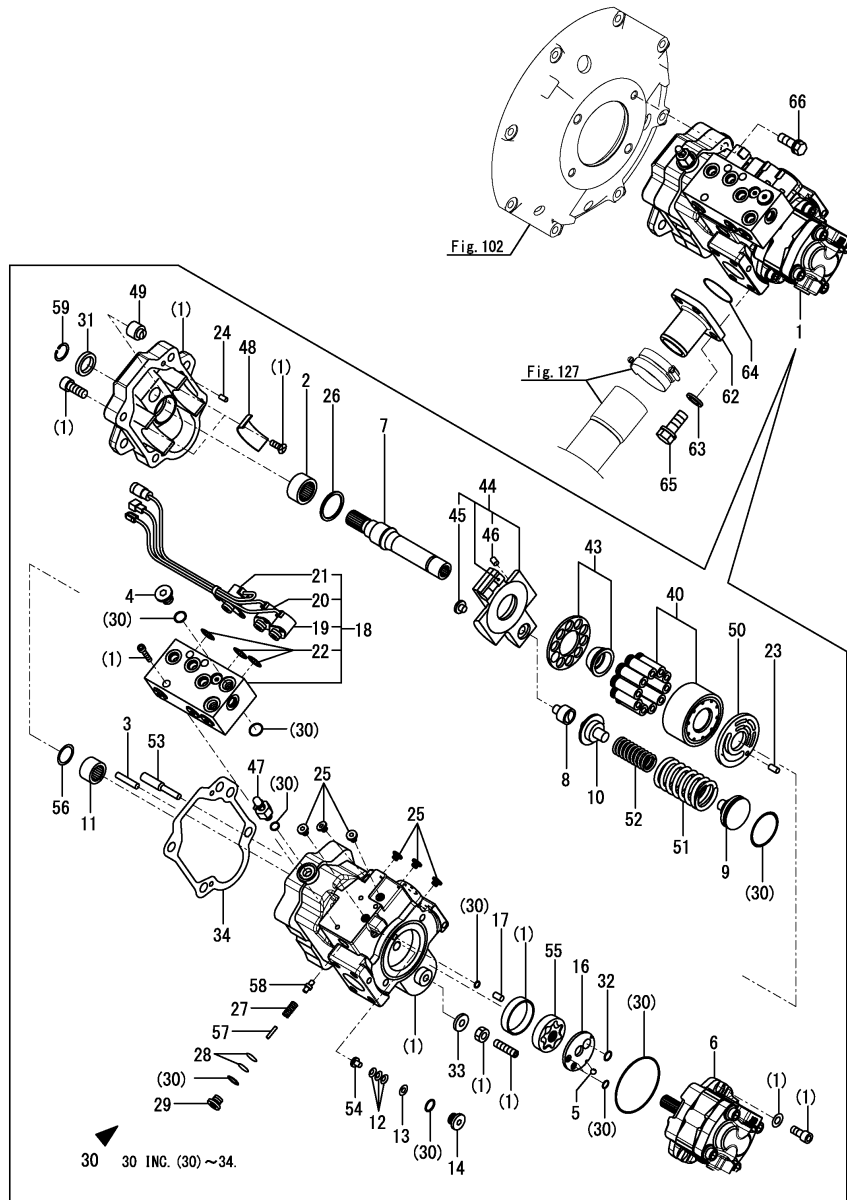
- (1)For safety lock.
- (2)For second gear traveling.
- (3)For quick coupler.

Fig.103. HYDRAULIC PUMP

(A)=VIO50-6B P(BR)
 (B)=VIO50-6B C(BR)
 (C)=

(D)=
 (E)=
 (F)=

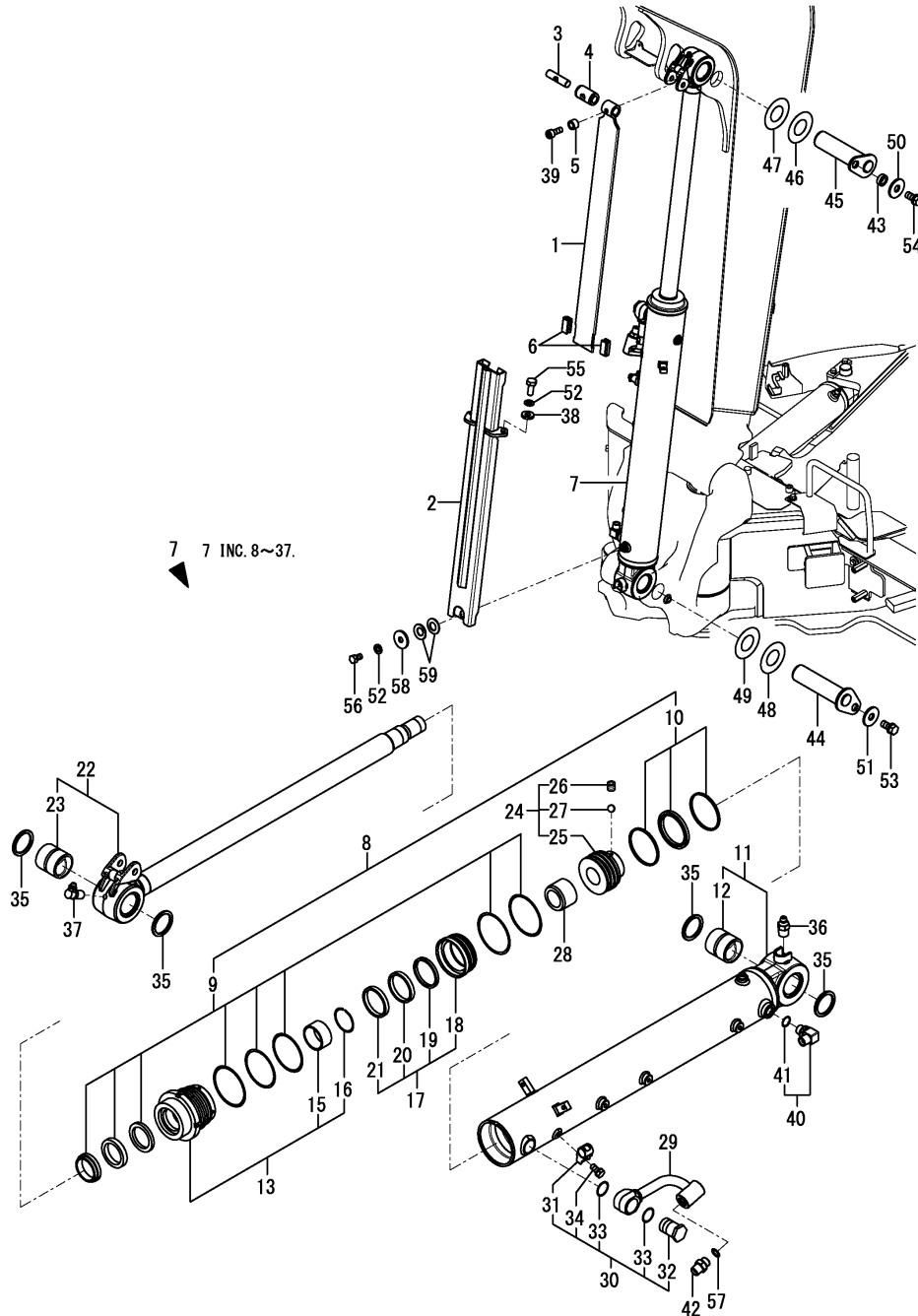
No.	Lev.	Parts No.	Description	Q'ty						I	R
				(A)	(B)	(C)	(D)	(E)	(F)		
62	1	172165-76860	FLANGE	1	1						
63	1	22117-120000	WASHER, 12	4	4						
64	1	24321-000450	O-RING, 1AG45.0	1	1						
65	1	26013-120302	BOLT, M12X 30	4	4						
66	1	26013-120352	BOLT, M12X 35	2	2						



Remarks

- (1)For safety lock.
- (2)For second gear traveling.
- (3)For quick coupler.

Fig.104. BOOM CYLINDER

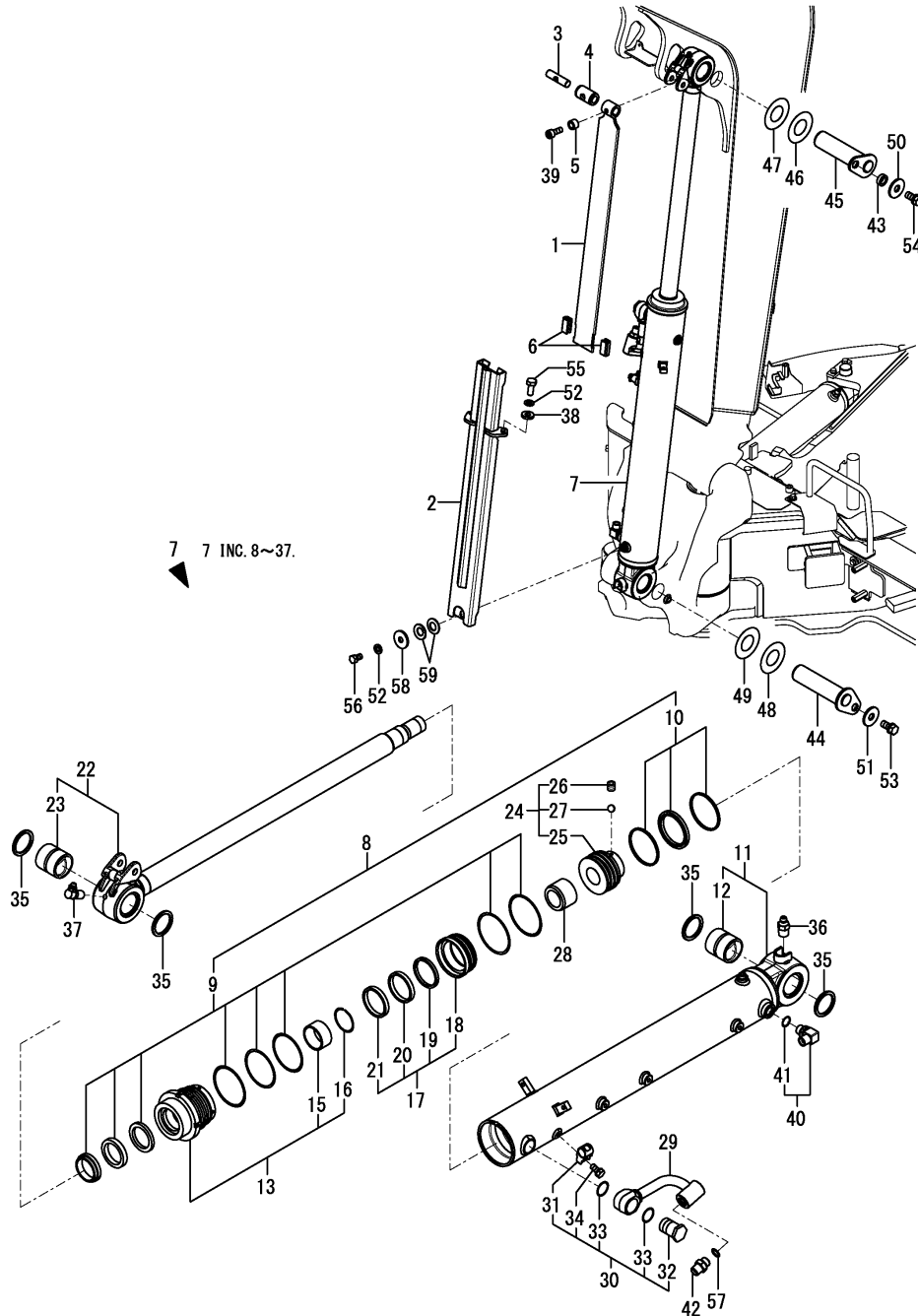


(A)=VIO50-6B P(BR)
 (B)=VIO50-6B C(BR)
 (C)=

(D)=
 (E)=
 (F)=

No.	Lev.	Parts No.	Description	Q'ty						I	R
				(A)	(B)	(C)	(D)	(E)	(F)		
1	1	172B04-71890	PLATE,SLIDE 810	1	1						
2	1	172B04-71900	GUIDE ASSY, 860	1	1						
3	1	172A23-72043	SHAFT	1	1						
4	1	172A23-72052	GROMMET	1	1						
5	1	172A46-72070	SPACER	1	1						
6	1	172A23-72081	GUIDE, SLIDE	2	2						
7	1	172B04-72100	CYLINDER ASSY, BOOM	1	1						
8	2	172B04-72010	SEAL KIT, CYL.95X50	1	1						
9	3	172B04-72280	SEAL SET, HEAD 95X50	1	1						
10	3	172B04-72290	SEAL SET,PISTON 95	1	1						
11	2	172B04-72110	TUBE ASSY, BOOM	1	1						
12	3	172B04-72120	BUSH, 50X60X75	1	1						
13	2	172B04-72130	HEAD ASSY, 95 50	1	1						
15	3	172A79-72970	BUSH,HEAD	1	1						
16	3	172A79-72980	RING, SNAP	1	1						
17	2	172B04-72150	HOLDER ASSY	1	1						
18	3	172B04-72160	HOLDER	1	1						
19	3	172B04-72170	SPACER	1	1						
20	3	172B04-72180	SEAL,CUSHION	1	1						
21	3	172B04-72190	COLLAR	1	1						
22	2	172B04-72200	ROD ASSY, BOOM	1	1						
23	3	172B04-72120	BUSH, 50X60X75	1	1						
24	2	172B04-72211	PISTON ASSY	1	1						
25	3	172B04-72221	PISTON	1	1						
26	3	172A79-72870	SCREW,M8	1	1						
27	3	24190-070002	BALL, STEEL 7/32	1	1						
28	2	172B04-72230	CUSHION, BEARING	1	1						
29	2	172B04-72240	PIPE ASSY, BOOM	1	1						
30	2	172B04-72250	PLUG ASSY	1	1						
31	3	172B04-72260	HOLDER, TUBE	1	1						
32	3	172B04-72470	PLUG	1	1						
33	3	24315-000260	O-RING, 1BP26.0	2	2						
34	3	26013-080162	BOLT, M8X 16	1	1						
35	2	172B05-72520	SEAL,DUST 50	4	4						
36	2	24761-020000	NIPPLE, GREASE PT1/8	1	1						
37	2	24761-050000	NIPPLE, GREASE C	1	1						
38	1	172A79-72570	WASHER	2	2						
39	1	172A47-72840	BOLT, M6X16	1	1						
40	1	172141-76900	CONNECTOR ASSY	1	1						
41	2	24315-000180	O-RING, 1BP18.0	1	1						
42	1	172112-77361	CONNECTOR	1	1						
43	1	172164-81670	SPACER	1	1						
44	1	172B04-81820	PIN ASSY, 50X194	1	1						
45	1	172B04-81820	PIN ASSY, 50X194	1	1						
46	1	172165-82520	SHIM, 50X90X0.5	1	1						
47	1	172165-82530	SHIM, 50X90X1.2	1	1						
48	1	172162-83540	SHIM, 50X100X0.5	1	1						
49	1	172162-83550	SHIM, 50X100X1.2	1	1						
50	1	22157-120000	WASHER, 12	1	1						
51	1	22157-120000	WASHER, 12	1	1						
52	1	22217-100000	WASHER, SPRING 10	3	3						

Fig.104. BOOM CYLINDER

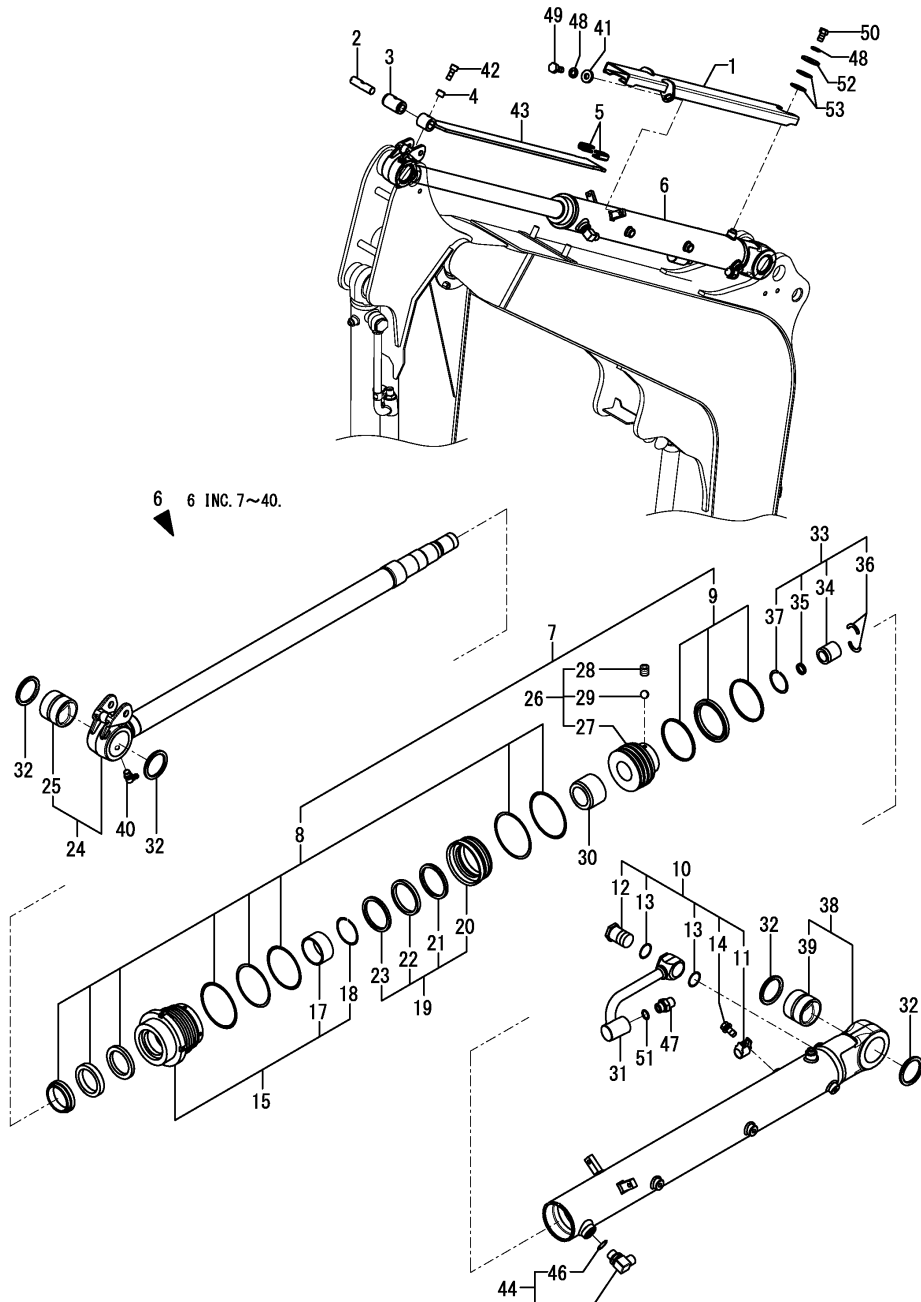


(A)=VIO50-6B P(BR)
 (B)=VIO50-6B C(BR)
 (C)=

(D)=
 (E)=
 (F)=

No.	Lev.	Parts No.	Description	Q'ty						I	R
				(A)	(B)	(C)	(D)	(E)	(F)		
53	1	26013-120252	BOLT, M12X 25	1	1						
54	1	26013-120252	BOLT, M12X 25	1	1						
55	1	26076-100252	BOLT, 10.910X 25	2	2						
56	1	26116-100162	BOLT, M10X 16 PLATED	1	1						
57	1	41851-000180	O-RING	1	1						
58	1	933147-03400	WASHER, BRAKE ARM	1	1						
59	1	933168-14170	SPRING	2	2						

Fig.105. ARM CYLINDER



(A)=VIO50-6B P(BR)

(B)=VIO50-6B C(BR)

(C)=

(D)=

(E)=

(F)=

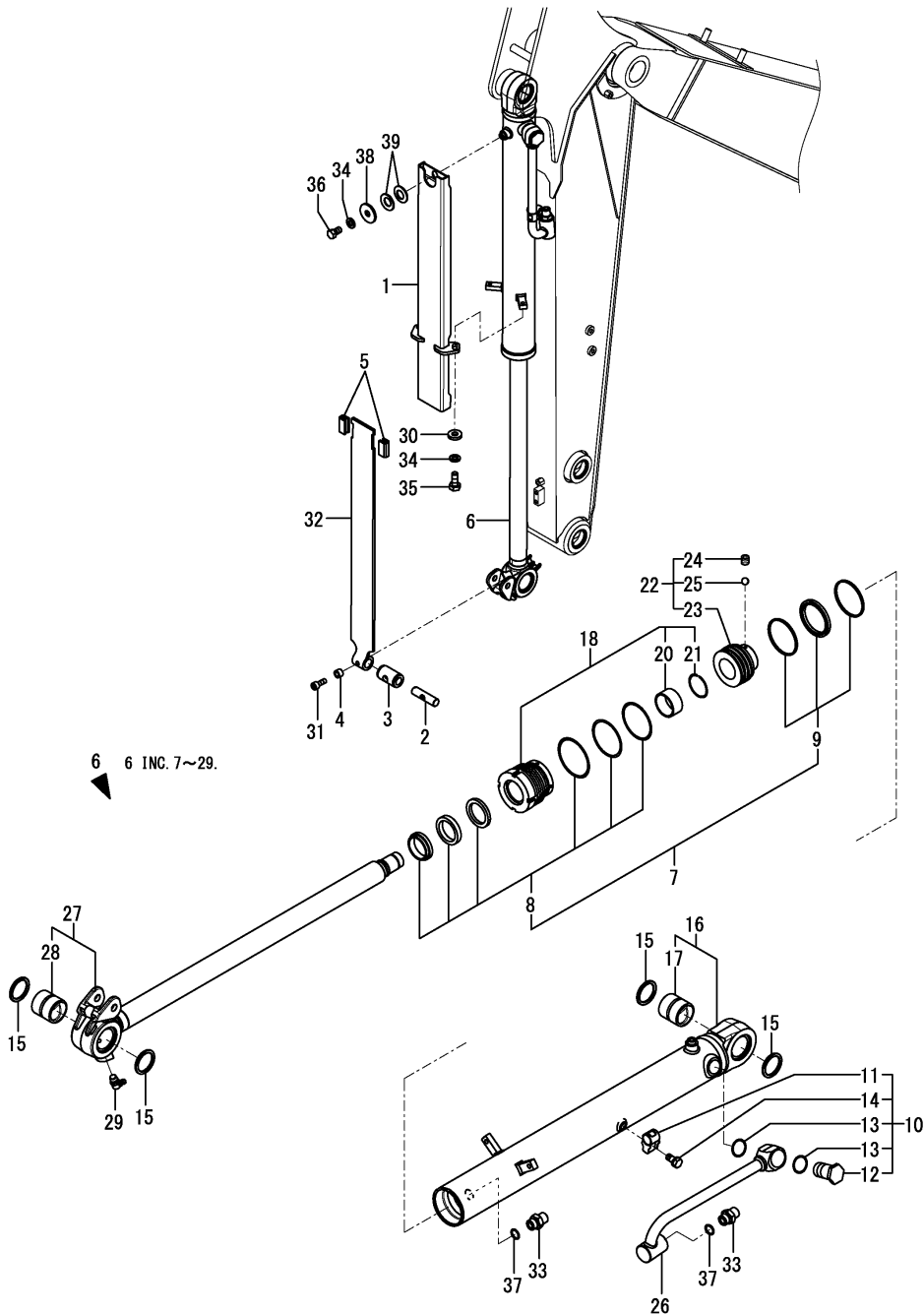
No.	Lev.	Parts No.	Description	Q'ty						I	R
				(A)	(B)	(C)	(D)	(E)	(F)		
1	1	172B04-71950	GUIDE ASSY, 860 A	1	1						
2	1	172A23-72043	SHAFT	1	1						
3	1	172A23-72052	GROMMET	1	1						
4	1	172A46-72070	SPACER	1	1						
5	1	172A23-72081	GUIDE, SLIDE	2	2						
6	1	172B04-72450	CYLINDER ASSY, ARM Q	1	1						
7	2	172B04-72030	SEAL KIT, CYL.80X50	1	1						
8	3	172B04-72480	SEAL SET, HEAD 80X50	1	1						
9	3	172B04-72490	SEAL SET,PISTON 80	1	1						
10	2	172B04-72250	PLUG ASSY	1	1						
11	3	172B04-72260	HOLDER,TUBE	1	1						
12	3	172B04-72470	PLUG	1	1						
13	3	24315-000260	O-RING, 1BP26.0	2	2						
14	3	26013-080162	BOLT, M8X 16	1	1						
15	2	172B04-72330	HEAD ASSY, 80 50	1	1						
17	3	172A79-72970	BUSH,HEAD	1	1						
18	3	172A79-72980	RING, SNAP	1	1						
19	2	172B04-72350	HOLDER ASSY	1	1						
20	3	172B04-72360	HOLDER	1	1						
21	3	172B04-72370	SPACER	1	1						
22	3	172B04-72380	SEAL,CUSHION	1	1						
23	3	172B04-72390	COLLAR	1	1						
24	2	172B04-72400	ROD ASSY, ARM	1	1						
25	3	172A79-72920	BUSH, PIN 50	1	1						
26	2	172B04-72410	PISTON ASSY	1	1						
27	3	172B04-72420	PISTON	1	1						
28	3	172A79-72870	SCREW,M8	1	1						
29	3	24190-070002	BALL, STEEL 7/32	1	1						
30	2	172B04-72430	CUSHION,BEARING	1	1						
31	2	172B04-72440	PIPE ASSY, ARM	1	1						
32	2	172B05-72520	SEAL,DUST 50	4	4						
33	2	172A79-72700	CUSHION ASSY,ARM	1	1						
34	3	172A79-72710	PLUNGER,CUSHION	1	1						
35	3	172A79-72720	SEAL,CUSHION	1	1						
36	3	172A79-72730	STOPPER,CUSHION	2	2						
37	3	172A79-72740	RING, SNAP	1	1						
38	2	172B04-72910	TUBE ASSY, ARM Q	1	1						
39	3	172A79-72920	BUSH, PIN 50	1	1						
40	2	24761-050000	NIPPLE, GREASE C	1	1						
41	1	172A79-72570	WASHER	2	2						
42	1	172A47-72840	BOLT, M6X16	1	1						
43	1	172A27-72951-N	PLATE, SLIDE	1	1						
44	1	172141-76900	CONNECTOR ASSY	1	1						
46	2	24315-000180	O-RING, 1BP18.0	1	1						
47	1	172112-77361	CONNECTOR	1	1						
48	1	22217-100000	WASHER, SPRING 10	3	3						
49	1	26076-100252	BOLT, 10.910X 25	2	2						
50	1	26116-100162	BOLT, M10X 16 PLATED	1	1						
51	1	41851-000180	O-RING	1	1						
52	1	933147-03400	WASHER, BRAKE ARM	1	1						
53	1	933168-14170	SPRING	2	2						

N:Old $\xrightarrow{\text{Yes}}$ New, Q:Old $\xrightarrow{\text{No}}$ New, R:Old $\xrightarrow{\text{Yes}}$ New, S:Old $\xrightarrow{\text{No}}$ New, W:Add, Z:Discontinued, F:Interchangeable by set, K:Q'ty Change

Fig.106. BUCKET CYLINDER

(A)=VIO50-6B P(BR)
 (B)=VIO50-6B C(BR)
 (C)=

(D)=
 (E)=
 (F)=

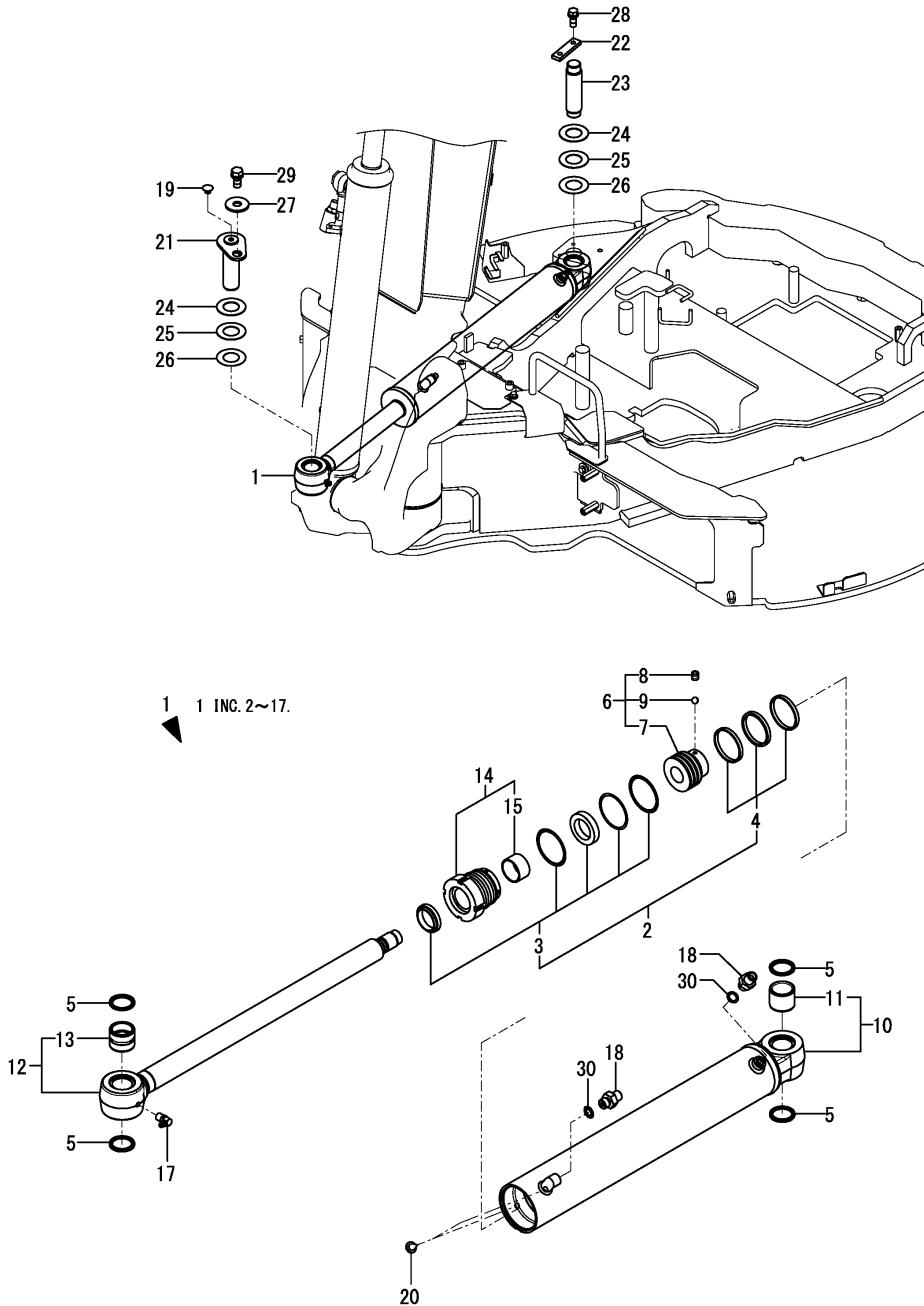


No.	Lev.	Parts No.	Description	Q'ty						I	R
				(A)	(B)	(C)	(D)	(E)	(F)		
1	1	172B04-71960	GUIDE ASSY, 747 A	1	1						
2	1	172A23-72043	SHAFT	1	1						
3	1	172A23-72052	GROMMET	1	1						
4	1	172A46-72070	SPACER	1	1						
5	1	172A23-72081	GUIDE, SLIDE	2	2						
6	1	172B04-72500	CYLINDER ASSY, BUCKET	1	1						
7	2	172B04-72050	SEAL KIT, CYL. 70X45	1	1						
8	3	172B04-72680	SEAL SET, HEAD 70X45	1	1						
9	3	172B04-72690	SEAL SET, PISTON 70	1	1						
10	2	172B04-72250	PLUG ASSY	1	1						
11	3	172B04-72260	HOLDER, TUBE	1	1						
12	3	172B04-72470	PLUG	1	1						
13	3	24315-000260	O-RING, 1BP26.0	2	2						
14	3	26013-080162	BOLT, M8X 16	1	1						
15	2	172B05-72490	SEAL, DUST 45	4	4						
16	2	172B04-72510	TUBE ASSY, BUCKET	1	1						
17	3	172B04-72520	BUSH, 45X55X40	1	1						
18	2	172B04-72530	HEAD ASSY, 70 45	1	1						
20	3	172B04-72550	BUSH, 45	1	1						
21	3	172B04-72560	RING, SNAP	1	1						
22	2	172B04-72571	PISTON ASSY	1	1						
23	3	172B04-72581	PISTON	1	1						
24	3	172A79-72870	SCREW, M8	1	1						
25	3	24190-070002	BALL, STEEL 7/32	1	1						
26	2	172B04-72590	PIPE ASSY, BUCKET	1	1						
27	2	172B04-72600	ROD ASSY, BUCKET	1	1						
28	3	172B04-72610	BUSH, 45X55X50	1	1						
29	2	24761-050000	NIPPLE, GREASE C	1	1						
30	1	172A79-72570	WASHER	2	2						
31	1	172A47-72840	BOLT, M6X16	1	1						
32	1	172A47-72881-N	PLATE, SLIDE	1	1						
33	1	172112-77361	CONNECTOR	2	2						
34	1	22217-100000	WASHER, SPRING 10	3	3						
35	1	26076-100252	BOLT, 10.910X 25	2	2						
36	1	26116-100162	BOLT, M10X 16 PLATED	1	1						
37	1	41851-000180	O-RING	2	2						
38	1	933147-03400	WASHER, BRAKE ARM	1	1						
39	1	933168-14170	SPRING	2	2						

Fig.107. SWING CYLINDER

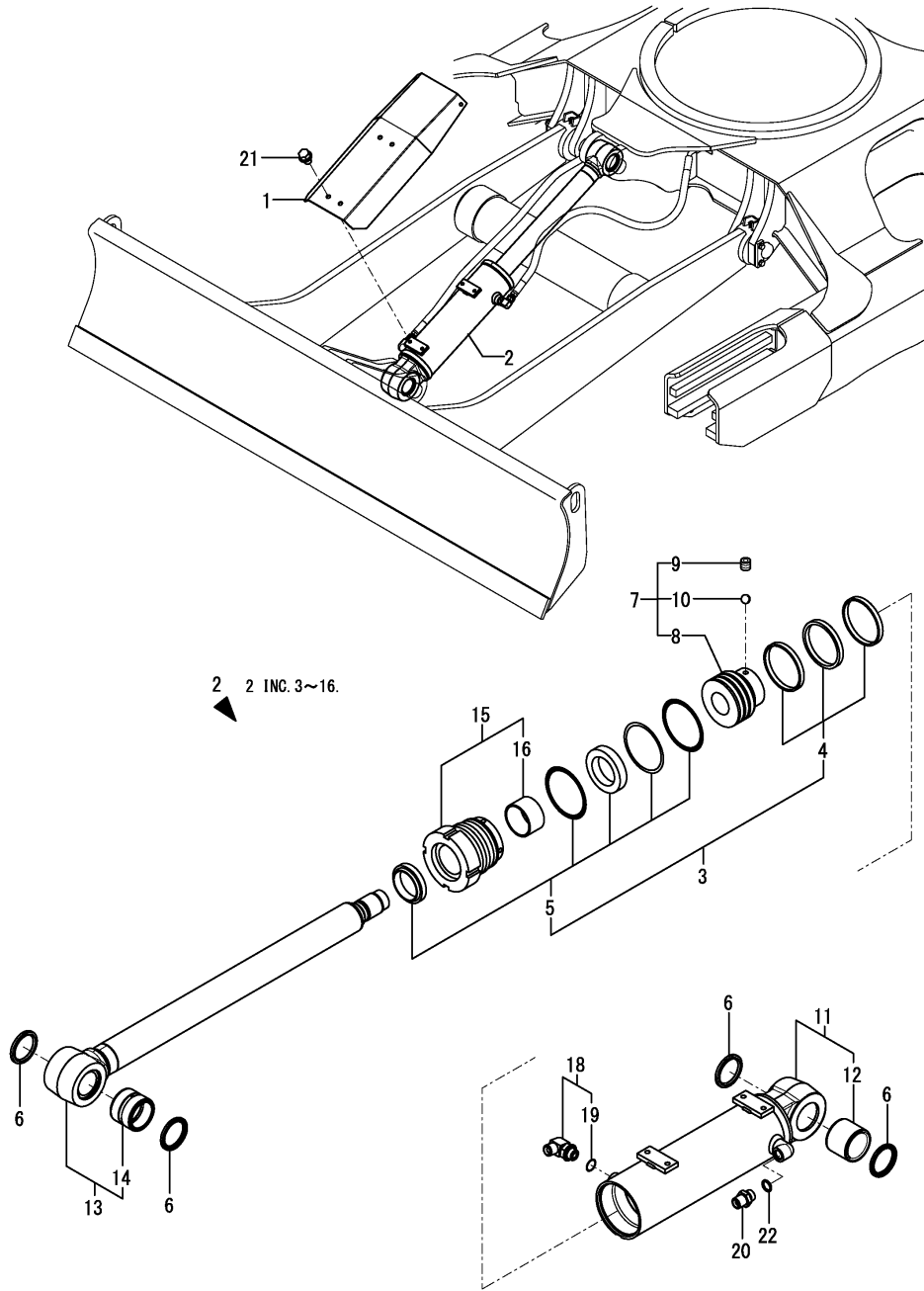
(A)=VIO50-6B P(BR)
 (B)=VIO50-6B C(BR)
 (C)=

(D)=
 (E)=
 (F)=



No.	Lev.	Parts No.	Description	Q'ty						I	R
				(A)	(B)	(C)	(D)	(E)	(F)		
1	1	172B04-72700	CYLINDER ASSY, SWING	1	1						
2	2	172B04-72070	SEAL KIT, CYL.90X45	1	1						
3	3	172B04-72780	SEAL SET, HEAD 90X45	1	1						
4	3	172B04-72790	SEAL SET,PISTON 90	1	1						
5	2	172B05-72440	SEAL,DUST 40	4	4						
6	2	172B04-72651	PISTON ASSY	1	1						
7	3	172B04-72461	PISTON	1	1						
8	3	172A79-72870	SCREW,M8	1	1						
9	3	24190-070002	BALL, STEEL 7/32	1	1						
10	2	172B04-72710	TUBE ASSY, SWING	1	1						
11	3	172B04-72720	BUSH, 40X50X55 S	1	1						
12	2	172B04-72730	ROD ASSY, SWING	1	1						
13	3	172B04-72740	BUSH, 40X50X55	1	1						
14	2	172B04-72750	HEAD ASSY, 90 45	1	1						
15	3	172B04-72270	BUSH, 45	1	1						
17	2	24761-050000	NIPPLE, GREASE C	1	1						
18	1	172123-76121	ADAPTER	2	2						
19	1	172183-81160	CLIP, TREE	1	1						
20	1	172183-81160	CLIP, TREE	2	2						
21	1	172B04-81950	PIN ASSY, 40X132	1	1						
22	1	172A47-81980	PLATE, LOCK	1	1						
23	1	172B04-81980	PIN, 40X126	1	1						
24	1	172165-82580	SHIM, 40X75X0.5	4	4						
25	1	172165-82590	SHIM, 40X75X1.2	4	4						
26	1	172165-82600	SHIM, 40X75X1.6	4	4						
27	1	22157-120000	WASHER, 12	1	1						
28	1	26013-100252	BOLT, M10X 25	2	2						
29	1	26013-120252	BOLT, M12X 25	1	1						
30	1	41851-000110	O-RING	2	2						

Fig.108. BLADE CYLINDER



(A)=VIO50-6B P(BR)
 (B)=VIO50-6B C(BR)
 (C)=

(D)=
 (E)=
 (F)=

No.	Lev.	Parts No.	Description	Q'ty						I	R
				(A)	(B)	(C)	(D)	(E)	(F)		
1	1	172B04-71980	COVER ASSY, BLADE	1	1						
2	1	172B05-72800	CYLINDER ASSY, BLADE Q	1	1						
3	2	172B04-72080	SEAL KIT, CYL.95X55	1	1						
4	3	172B04-72290	SEAL SET, PISTON 95	1	1						
5	3	172B04-72880	SEAL SET, HEAD 95X55	1	1						
6	2	172B05-72490	SEAL, DUST 45	4	4						
7	2	172B04-72630	PISTON ASSY	1	1						
8	3	172B04-72640	PISTON	1	1						
9	3	172B04-72870	SCREW	1	1						
10	3	24190-080002	BALL, STEEL 1/4	1	1						
11	2	172B05-72810	TUBE ASSY, BLADE Q	1	1						
12	3	172B04-72820	BUSH, 45X55X60	1	1						
13	2	172B05-72830	ROD ASSY, BLADE Q	1	1						
14	3	172B04-72820	BUSH, 45X55X60	1	1						
15	2	172B04-72850	HEAD ASSY, 95 55	1	1						
16	3	172B04-72840	BUSH, 55	1	1						
18	1	172142-76181	JOINT ASSY	1	1						
19	2	24315-000140	O-RING, 1BP14.0	1	1						
20	1	172186-76410	ADAPTER	1	1						
21	1	26106-100122	BOLT, M10X 12 PLATED	4	4						
22	1	41851-000140	O-RING	1	1						

Fig.109. HITCH CYLINDER

(A)=VIO50-6B P(BR)
 (B)=VIO50-6B C(BR)
 (C)=

(D)=
 (E)=
 (F)=

No.	Lev.	Parts No.	Description	Q'ty						I	R
				(A)	(B)	(C)	(D)	(E)	(F)		
1	1	172960-72800-N	CYLINDER ASSY, HITCH	1	1						
2	2	172141-72580	NUT, M20	1	1						
3	2	172960-72810-N	TUBE, HITCH	1	1						
5	3	172960-72950	BUSH	2	2						
6	2	172960-72860	HEAD	1	1						
8	3	24550-035200	BUSH, 35X20	1	1						
9	2	172960-72880	ROD ASSY, HITCH	1	1						
11	3	172960-72920	BUSH	1	1						
12	2	172960-72890	PISTON	1	1						
13	2	172960-72900	WASHER	1	1						
14	2	172958-72950	O-RING	1	1						
15	2	172958-72960	O-RING	1	1						
16	2	172960-72960	SEAL SET, HEAD	1	1						
21	2	172960-72970	SEAL SET, PISTON	1	1						
24	2	172958-72983-N	VALVE ASSY, OPERATE	1	1						
32	2	23871-005000	PLUG, R005	2	2						
33	2	26450-060302	BOLT, M6X 30	4	4						

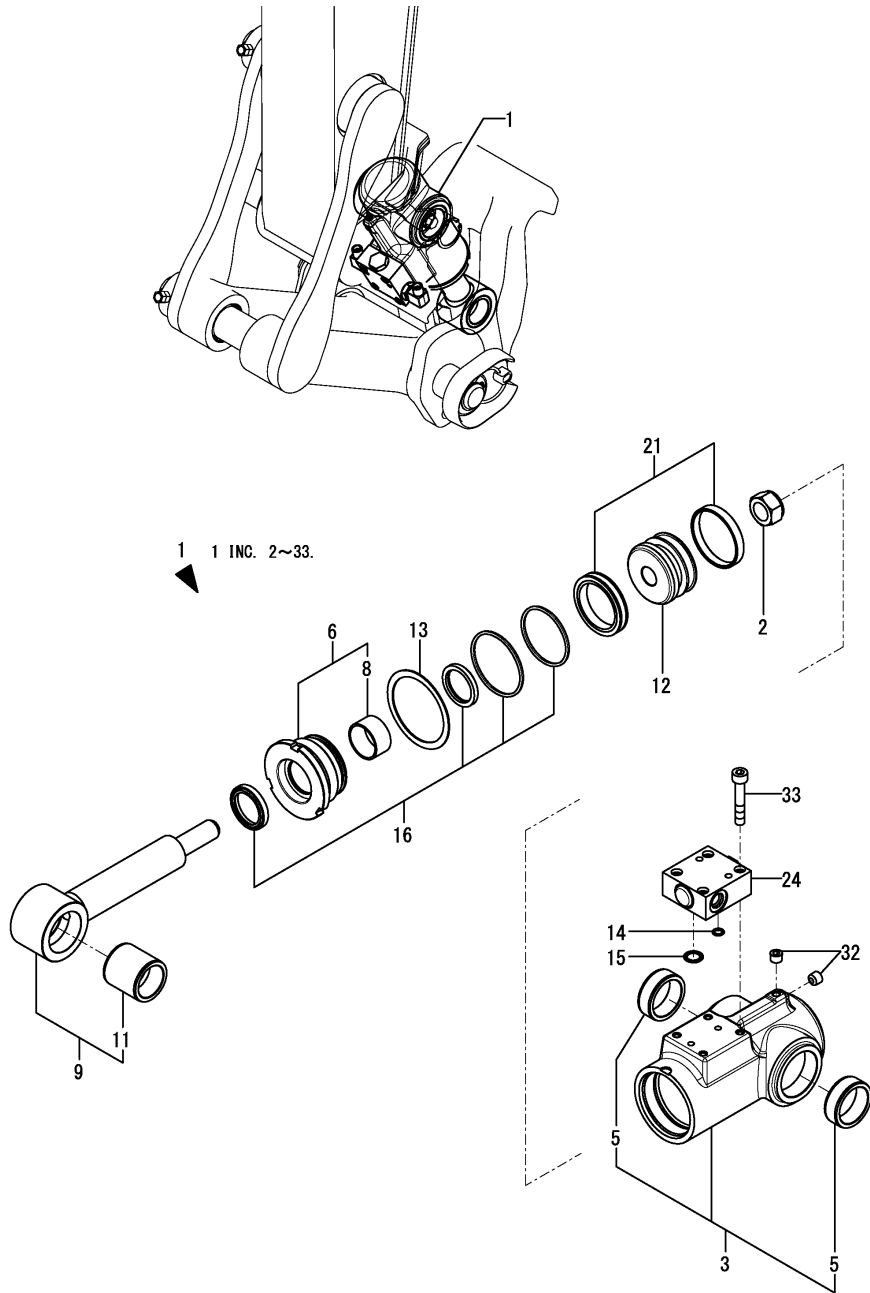
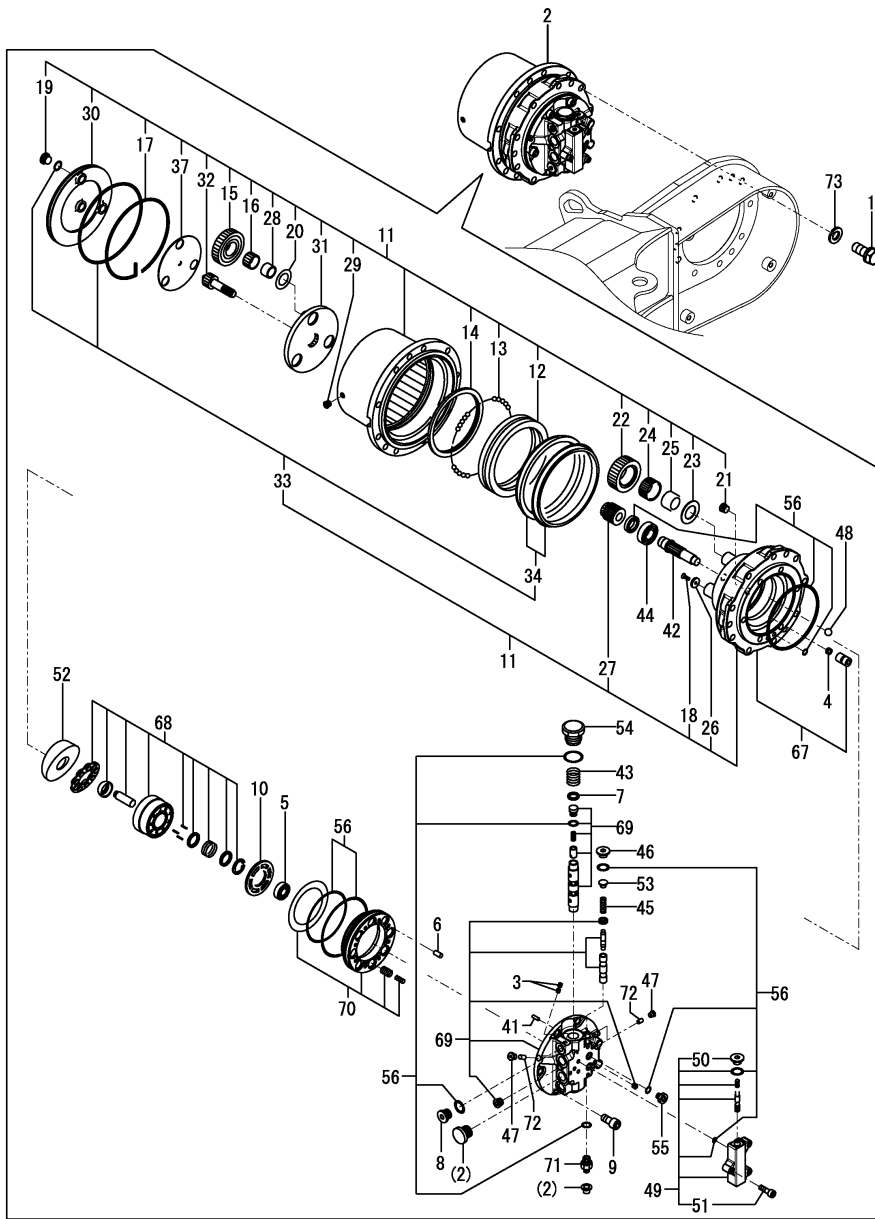


Fig.110. TRAVEL MOTOR



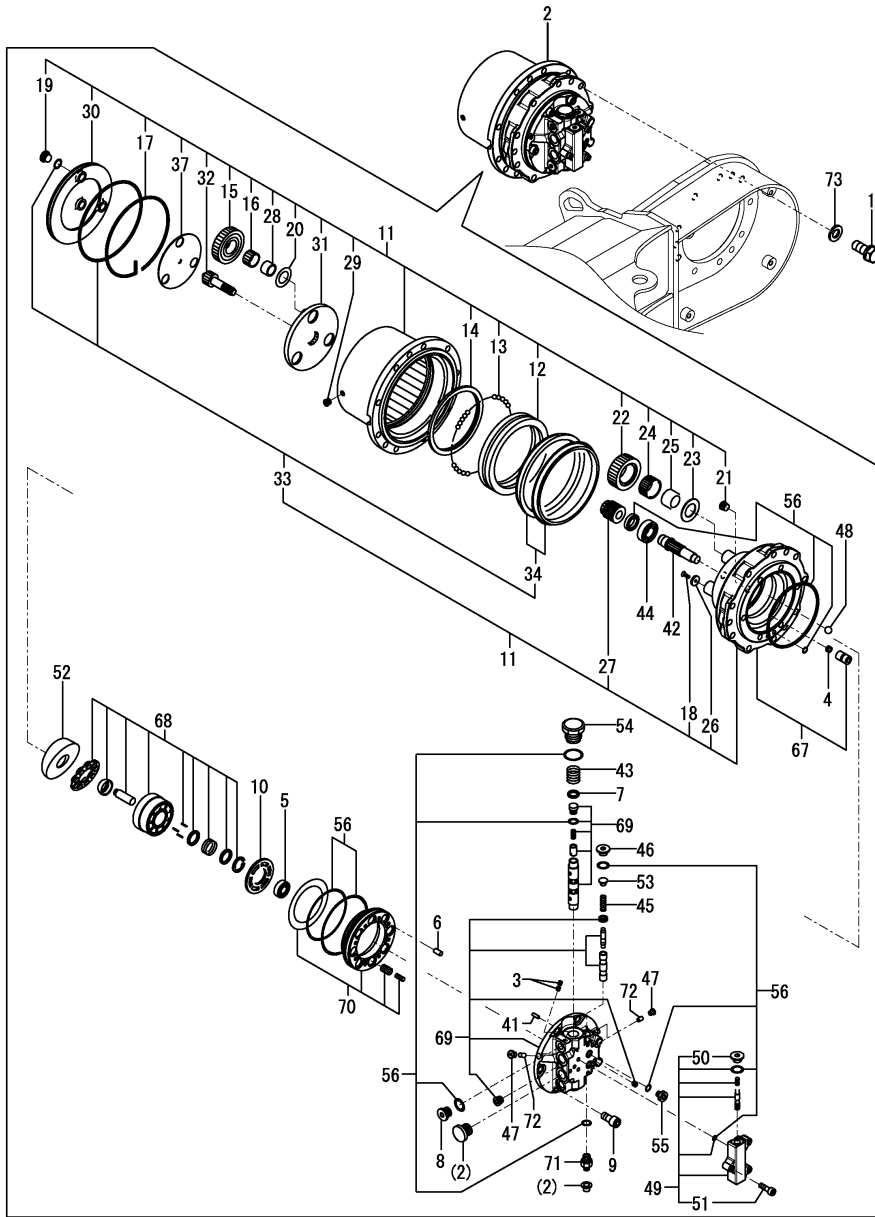
(A)=VIO50-6B P(BR)
 (B)=VIO50-6B C(BR)
 (C)=

(D)=
 (E)=
 (F)=

No.	Lev.	Parts No.	Description	Q'ty						I	R
				(A)	(B)	(C)	(D)	(E)	(F)		
1	1	172455-29140	BOLT	24	24						
2	1	172B04-73300	MOTOR ASSY, TRAVEL	2	2						
3	2	172148-70340	ORIFICE	8	8						
4	2	172147-70361	SPRING	4	4						
5	2	172147-70390	BEARING, BALL	2	2						
6	2	172122-70410	PIN	8	8						
7	2	172122-70460	SEAT, SPRING	4	4						
8	2	172147-70500	PLUG	4	4						
9	2	172147-70540	BOLT, SOCKET HEAD	12	12						
10	2	172B04-73290	PLATE, VALVE	2	2						
11	2	172B04-73350	GEAR ASSY,REDUCTION	2	2						
12	3	172124-70010	BEARING, ANGULAR	2	2						
13	3	172124-70030	BALL, STEEL	198	198						
14	3	172124-70051	NUT, RING	2	2						
15	3	172147-70111	GEAR, PLANETARY	6	6						
16	3	172147-70120	GAUGE ASSY	6	6						
17	3	172147-70210	WIRE	2	2						
18	3	172162-70290	SCREW	8	8						
19	3	172147-70500	PLUG	6	6						
20	3	172A47-73310	WASHER, THRUST	6	6						
21	3	172423-73330	PLUG	4	4						
22	3	172B05-73360	GEAR, PLANETARY	8	8						
23	3	172423-73370	WASHER, THRUST	8	8						
24	3	172B05-73370	BEARING, NEEDLE	8	8						
25	3	172B05-73380	RING, INNER	8	8						
26	3	172B05-73390	PLATE, THRUST	2	2						
27	3	172B05-73400	GEAR, SUN	2	2						
28	3	172423-73410	RACE, INNER	6	6						
29	3	172122-73430	PLUG	4	4						
30	3	172B05-73440	COVER	2	2						
31	3	172460-73511	HOLDER	2	2						
32	3	172460-73531	GEAR, DRIVE	2	2						
33	3	172B05-73610	SEAL KIT,REDUCTION	2	2						
34	4	172147-70020	SEAL, FLOATING	2	2						1
37	3	172460-73631	PLATE KIT, THRUST	2	2						
41	2	172122-73470	PIN	2	2						
42	2	172423-73470	SHAFT	2	2						
43	2	172B05-73470	SPRING, RETURN	4	4						
44	2	172423-73480	BEARING, BALL	2	2						
45	2	172B05-73480	SPRING	2	2						
46	2	172B05-73490	PLUG	2	2						
47	2	172B05-73500	PLUG ASSY	6	6						
48	2	172423-73510	BALL, STEEL	4	4						
49	2	172B05-73510	VALVE ASSY	2	2						
50	3	172147-70500	PLUG	4	4						
51	3	172A47-73320	BOLT, SOCKET HEAD	6	6						
52	2	172460-73551	PLATE, SWASH	2	2						
53	2	172B05-73560	SEAT, SPRING	2	2						
54	2	172460-73570	CAP	4	4						
55	2	172460-73590	PLUG	4	4						
56	2	172B05-73620	SEAL KIT, TRAVEL M	2	2						

Remarks
 (1)A package contains 2 floating seals.
 1 package par 1 travel motor.

Fig.110. TRAVEL MOTOR



(A)=VIO50-6B P(BR)
 (B)=VIO50-6B C(BR)
 (C)=

(D)=
 (E)=
 (F)=

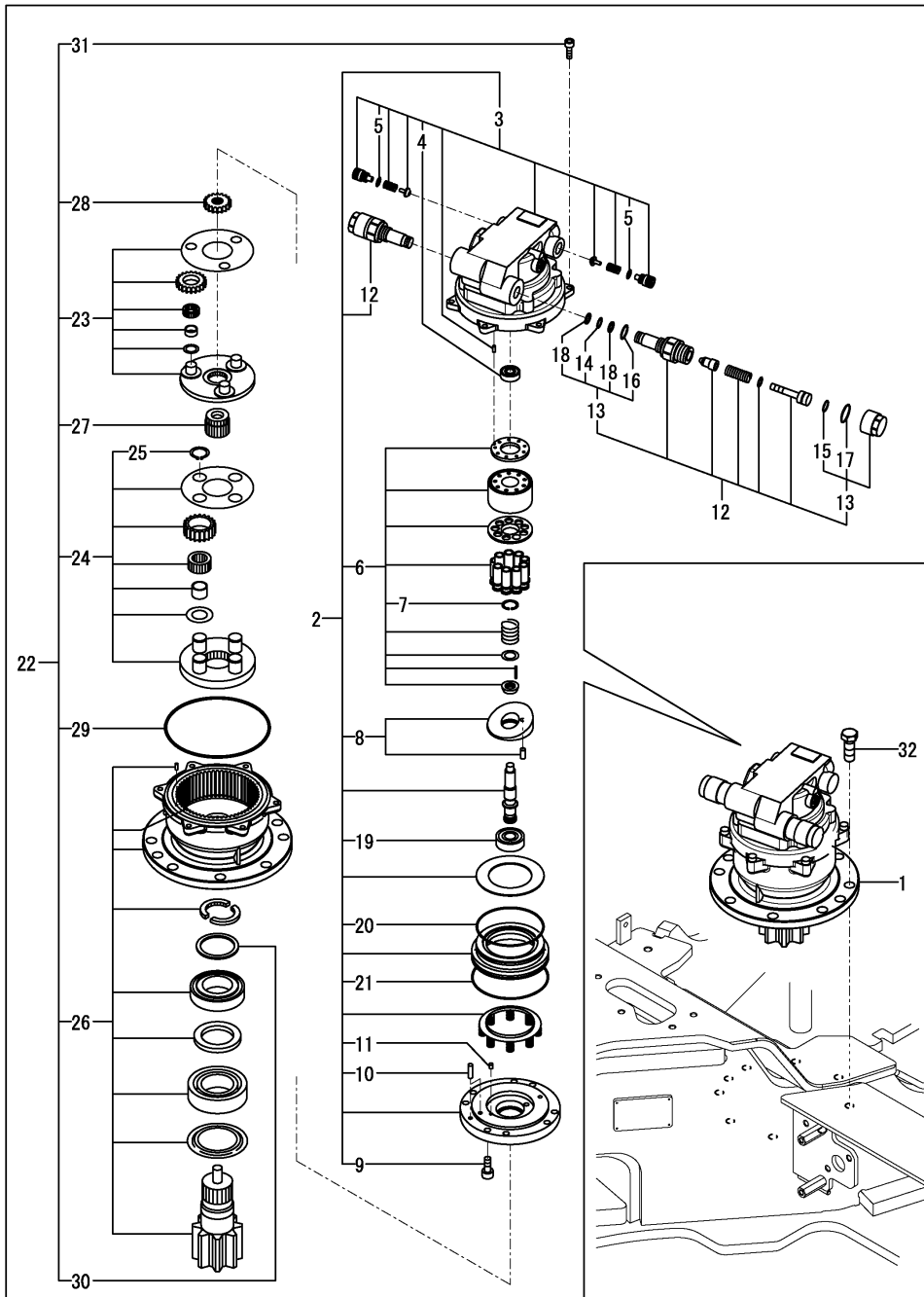
No.	Lev.	Parts No.	Description	Q'ty						I	R
				(A)	(B)	(C)	(D)	(E)	(F)		
67	2	172B05-73630	REPAIR KIT, HOLDER	2	2						
68	2	172B05-73640	REPAIR KIT,CYL BLOCK	2	2						
69	2	172B05-73650	REPAIR KIT, BASE P	2	2						
70	2	172B05-73660	SEAL KIT, BRAKE	2	2						
71	2	172458-73830	PLUG	2	2						
72	2	172312-74790	ORIFICE	12	12						
73	1	22217-140000	WASHER, SPRING 14	24	24						

Remarks
 (1)A package contains 2 floating seals.
 1 package par 1 travel motor.

Fig.111. TURNING MOTOR

(A)=VIO50-6B P(BR)
 (B)=VIO50-6B C(BR)
 (C)=

(D)=
 (E)=
 (F)=



No.	Lev.	Parts No.	Description	Q'ty						I	R
				(A)	(B)	(C)	(D)	(E)	(F)		
1	1	172B04-73310	MOTOR ASSY,SWING	1	1						
2	2	172B06-73490	MOTOR ASSY	1	1						
3	3	172B06-73320	BODY ASSY,H	1	1						
4	4	24101-062010	BEARING, BALL 6201C3	1	1						
5	4	24315-000110	O-RING, 1BP11.0	2	2						
6	3	172B06-73330	CYLINDER ASSY	1	1						
7	4	172126-73400	SNAP RING	1	1						
8	3	172B06-73340	PLATE ASSY,SWASH	1	1						
9	3	172126-73410	SCREW	8	8						
10	3	172447-73480	NEEDLE	3	3						
11	3	172425-73530	FILTER	1	1						
12	3	172461-73770	VALVE ASSY, RELIEF	2	2						
13	4	172460-73780	SEAL SET, VALVE	2	2						
14	5	24315-000140	O-RING, 1BP14.0	2	2						
15	5	24315-000180	O-RING, 1BP18.0	2	2						
16	5	24315-000220	O-RING, 1BP22.0	2	2						
17	5	24315-000280	O-RING, 1BP28.0	2	2						
18	5	24372-000140	RING, BACK UP T2P14	4	4						
19	3	24105-062044	BEARING, BALL 6204Z	1	1						
20	3	24325-001100	O-RING, 1BG110.0	1	1						
21	3	24325-001250	O-RING, 1BG125.0	1	1						
22	2	172B04-73500	GEAR ASSY,REDUCTION	1	1						
23	3	172B04-73360	CARRIER KIT,2	1	1						
24	3	172B04-73370	CARRIER KIT,1	1	1						
25	4	22252-000220	RING, 22	4	4						
26	3	172B04-73380	PINION KIT	1	1						
27	3	172B04-73390	GEAR,S1	1	1						
28	3	172B04-73400	GEAR,S2	1	1						
29	3	172B06-73420	O-RING	1	1						
30	3	172B06-73480	RING	1	1						
31	3	26450-080252	BOLT, M8X 25	6	6						
32	1	172460-73320	BOLT	10	10						

Fig.112. ACCUMULATOR

(A)=VIO50-6B P(BR)
 (B)=VIO50-6B C(BR)
 (C)=

(D)=
 (E)=
 (F)=

No.	Lev.	Parts No.	Description	Q'ty						I	R
				(A)	(B)	(C)	(D)	(E)	(F)		
1	1	172B11-73600	ACCUMULATOR	1	1						
2	1	172B11-73630	CLAMP	1	1						
3	1	172423-76120	CONNECTOR, PF1/2X1/4	1	1						
4	1	26014-080202	BOLT, M8X 20	2	2						
5	1	41851-000180	O-RING	1	1						

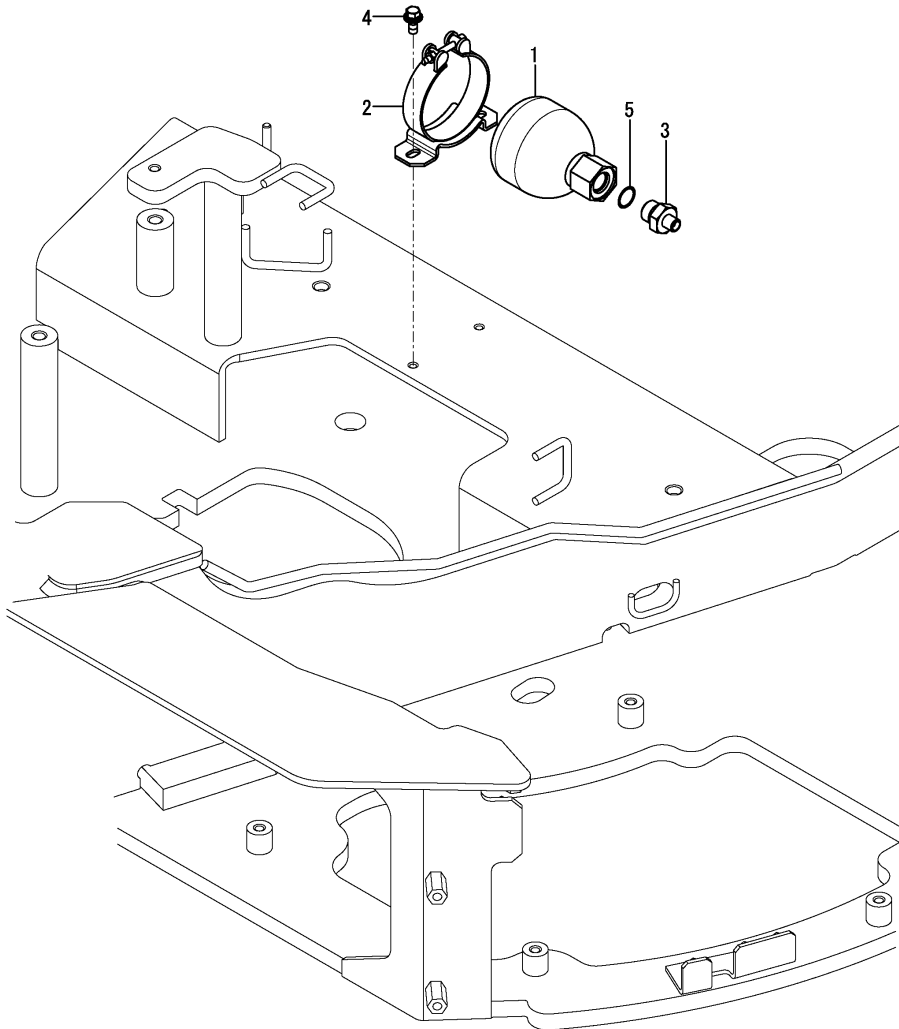
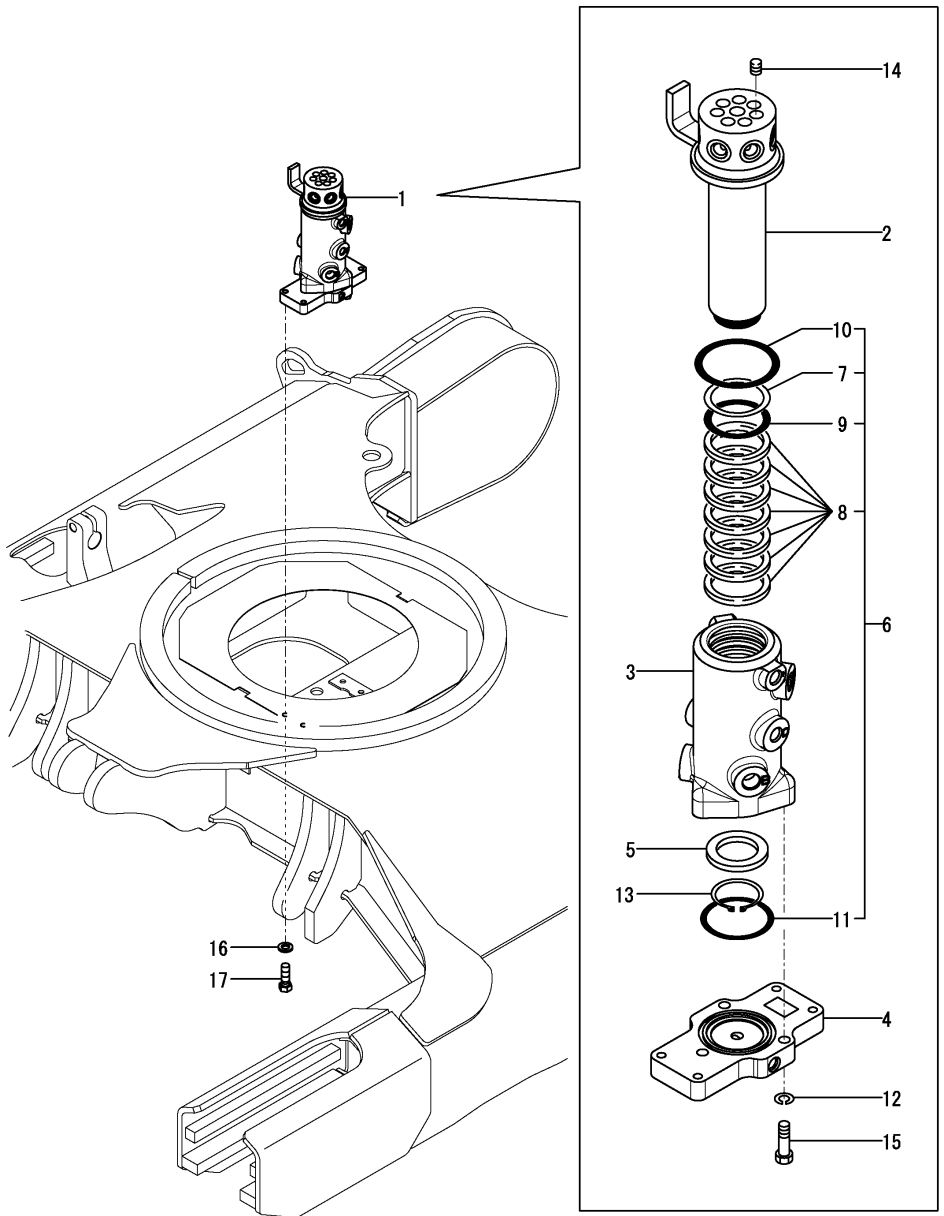


Fig.113. SWIVEL JOINT

(A)=VIO50-6B P(BR)
 (B)=VIO50-6B C(BR)
 (C)=

(D)=
 (E)=
 (F)=



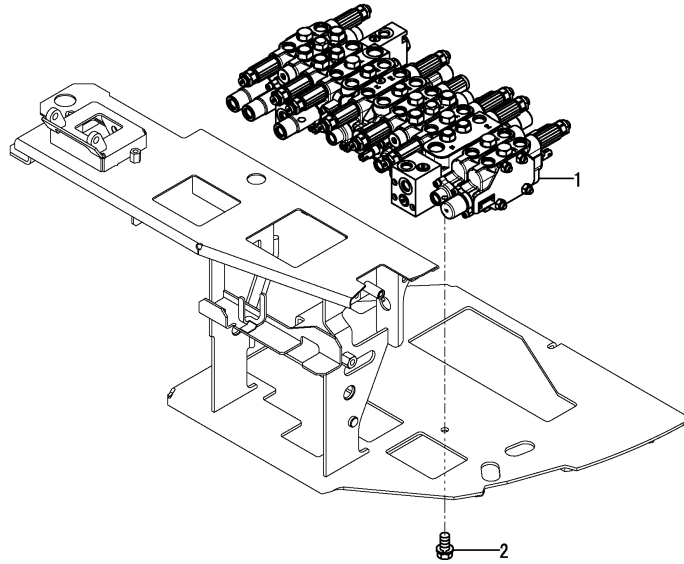
No.	Lev.	Parts No.	Description	Q'ty						I	R
				(A)	(B)	(C)	(D)	(E)	(F)		
1	1	172B02-73800	JOINT ASSY, SWIVEL	1	1						
2	2	172B02-73810	SHAFT ASSY, SWIVEL	1	1						
3	2	172B02-73840	HUB, SWIVEL	1	1						
4	2	172B02-73850	FLANGE, SWIVEL	1	1						
5	2	172B02-73860	SPACER, SWIVEL	1	1						
6	2	172B02-73910	SEAL KIT, SWIVEL	1	1						
7	3	172B02-73880	RING, BACKUP T3 55	1	1						
8	3	172B02-73890	SEAL, SWIVEL	7	7						
9	3	24315-000560	O-RING, 1BP56.0	1	1						
10	3	24315-000750	O-RING, 1BP75.0	1	1						
11	3	24325-000700	O-RING, 1BG70.0	1	1						
12	2	22217-100000	WASHER, SPRING 10	3	3						
13	2	22242-000451	RING, 45	1	1						
14	2	23871-020000	PLUG, R02	7	7						
15	2	26076-100352	BOLT, 10.910X 35	3	3						
16	1	22217-100000	WASHER, SPRING 10	4	4						
17	1	26116-100302	BOLT, M10X 30 PLATED	4	4						

Fig.114. CONTROL VALVE(1/8)

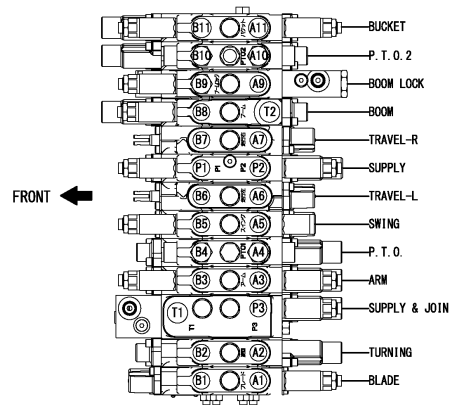
(A)=VIO50-6B P(BR)
 (B)=VIO50-6B C(BR)
 (C)=

(D)=
 (E)=
 (F)=

No.	Lev.	Parts No.	Description	Q'ty						I	R
				(A)	(B)	(C)	(D)	(E)	(F)		
1	1	172B04-74120	VALVE ASSY,CV EX	1	1						1
2	1	26013-100162	BOLT, M10X 16	3	3						



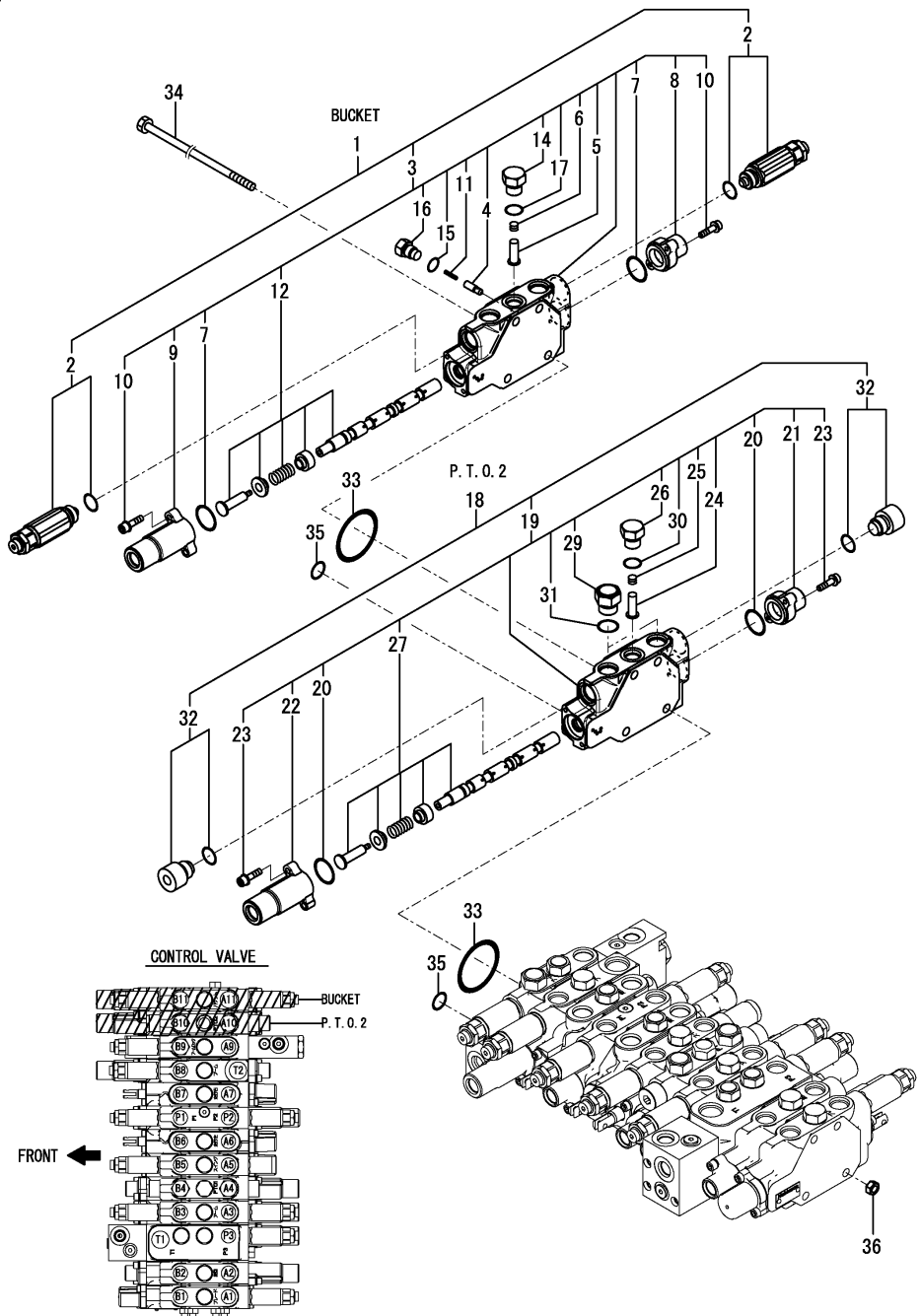
CONTROL VALVE



Remarks

(1) Inner parts are shown in Fig.121 from Fig.115.

Fig.115. CONTROL VALVE(2/8)

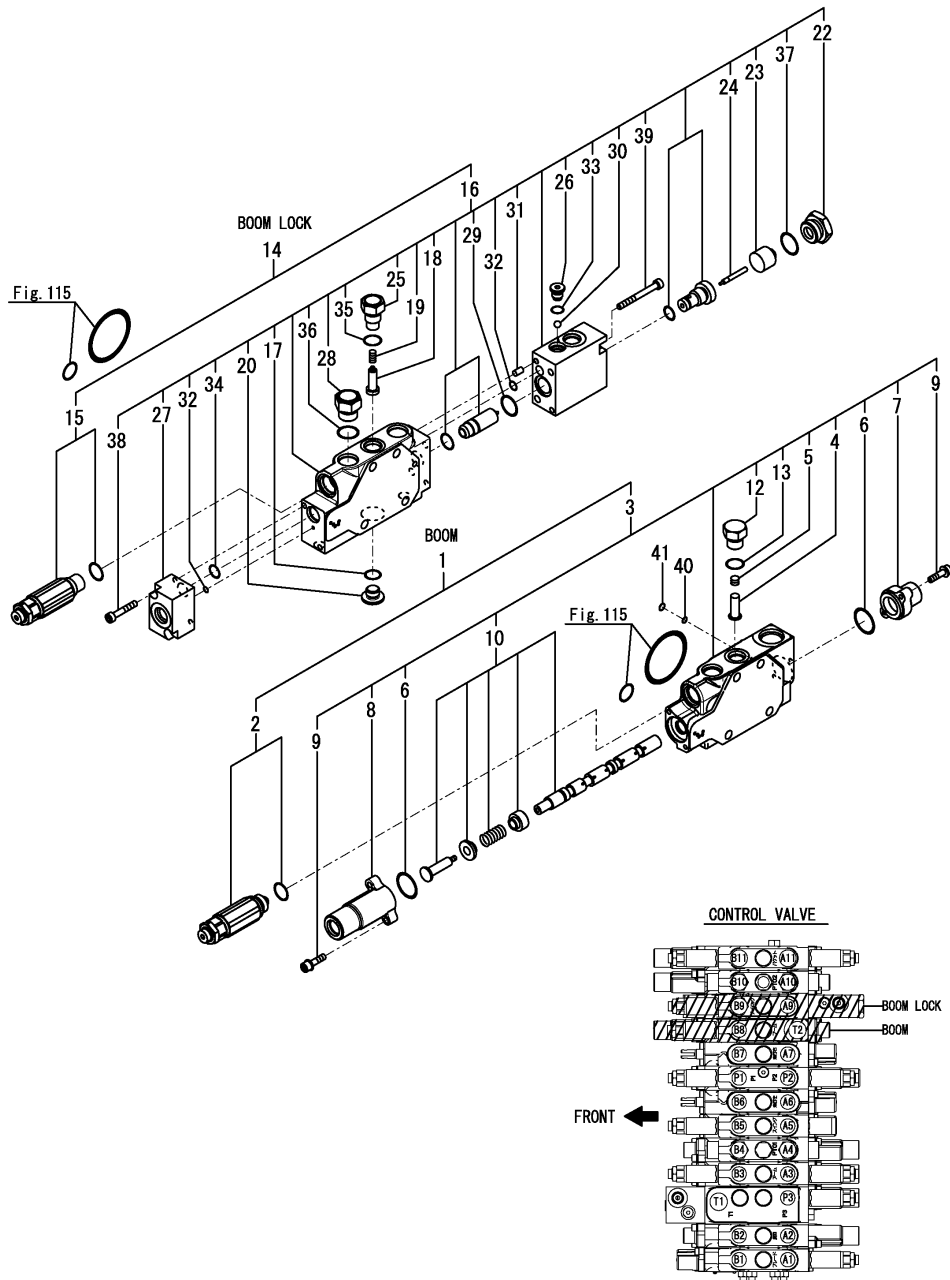


(A)=VIO50-6B P(BR)
 (B)=VIO50-6B C(BR)
 (C)=

(D)=
 (E)=
 (F)=

No.	Lev.	Parts No.	Description	Q'ty						I	R
				(A)	(B)	(C)	(D)	(E)	(F)		
1	2	172B04-74390	VALVE ASSY, BUCKET	1	1						
2	3	172A48-74200	VALVE ASSY, OVERLOAD	2	2						
3	3	172B04-74400	SECTION ASSY, BUCKET	1	1						
4	4	172499-70180	VALVE ASSY, REVERSE	1	1						
5	4	172458-74150	VALVE, REVERSE	1	1						
6	4	172458-74160	SPRING, VALVE	1	1						
7	4	172458-74230	O-RING	2	2						
8	4	172458-74240	COVER, PILOT	1	1						
9	4	172458-74250	COVER, PILOT	1	1						
10	4	172458-74260	BOLT	4	4						
11	4	172173-74280	SPRING	1	1						
12	4	172A78-74370	SPOOL ASSY, BUCKET	1	1						
14	4	172458-74630	STAY, VALVE	1	1						
15	4	172A47-74950	O-RING	1	1						
16	4	172A47-74970	STAY, VALVE	1	1						
17	4	24315-000110	O-RING, 1BP11.0	1	1						
18	2	172A78-74590	SECTION ASSY, PTO	1	1						
19	3	172A78-74490	SECTION ASSY, PTO	1	1						
20	4	172458-74230	O-RING	2	2						
21	4	172458-74240	COVER, PILOT	1	1						
22	4	172458-74250	COVER, PILOT	1	1						
23	4	172458-74260	BOLT	4	4						
24	4	172490-74310	VALVE, REVERSE	1	1						
25	4	172490-74320	SPRING, VALVE	1	1						
26	4	172490-74330	STAY, VALVE	1	1						
27	4	172A78-74360	SPOOL ASSY, PTO	1	1						
29	4	172A47-75620	STAY, VALVE	2	2						
30	4	24315-000110	O-RING, 1BP11.0	1	1						
31	4	24315-000140	O-RING, 1BP14.0	2	2						
32	3	172A47-75460	PLUG ASSY, VALVE	2	2						
33	2	172458-74720	O-RING	12	12						
34	2	172A47-75450	BOLT	4	4						
35	2	24311-000200	O-RING, 1AP20.0	12	12						
36	2	26716-080002	NUT, M8	4	4						

Fig.116. CONTROL VALVE(3/8)



(A)=VIO50-6B P(BR)
 (B)=VIO50-6B C(BR)
 (C)=

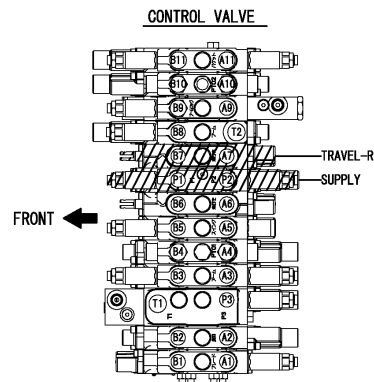
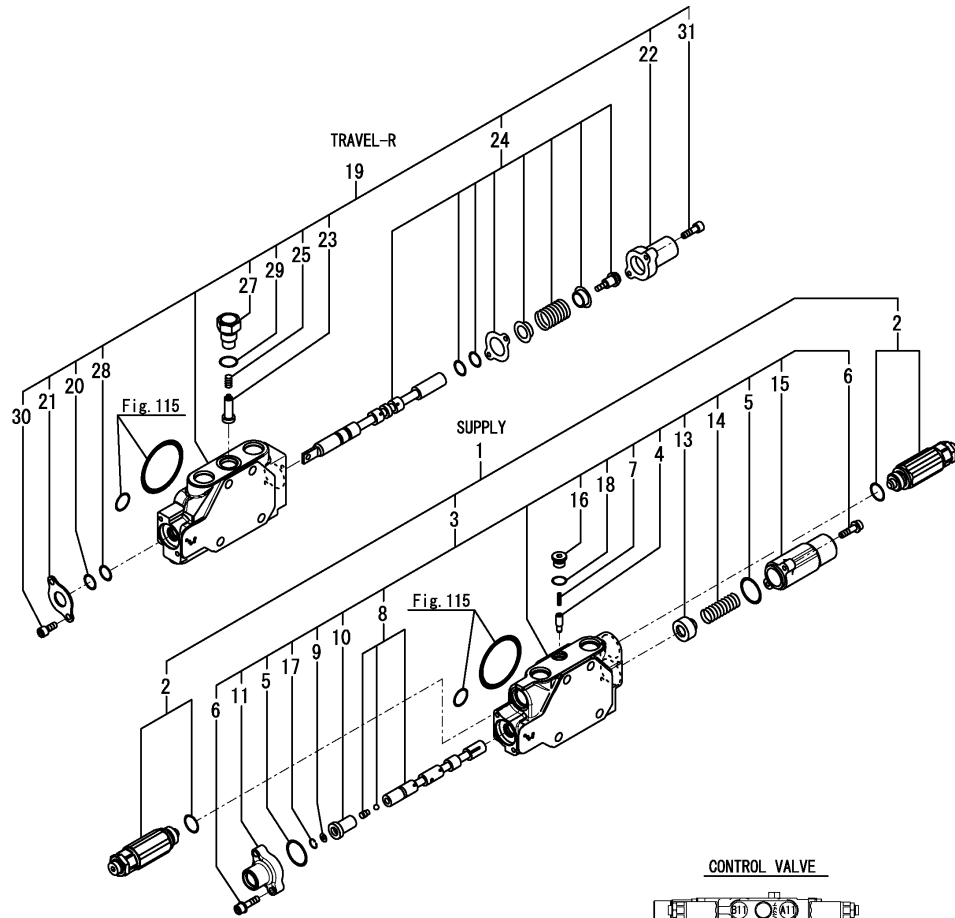
(D)=
 (E)=
 (F)=

No.	Lev.	Parts No.	Description	Q'ty						I	R
				(A)	(B)	(C)	(D)	(E)	(F)		
1	2	172B04-74350	VALVE ASSY, BOOM	1	1						
2	3	172A48-74200	VALVE ASSY, OVERLOAD	1	1						
3	3	172B04-74360	SECTION ASSY, BOOM	1	1						
4	4	172458-74150	VALVE, REVERSE	1	1						
5	4	172458-74160	SPRING, VALVE	1	1						
6	4	172458-74230	O-RING	2	2						
7	4	172458-74240	COVER, PILOT	1	1						
8	4	172458-74250	COVER, PILOT	1	1						
9	4	172458-74260	BOLT	4	4						
10	4	172B04-74370	SPOOL ASSY, BOOM	1	1						
12	4	172458-74630	STAY, VALVE	1	1						
13	4	24315-000110	O-RING, 1BP11.0	1	1						
14	2	172B02-74890	VALVE ASSY, LOCK	1	1						
15	3	172456-74440	VALVE, RELIEF	1	1						
16	3	172B02-74450	SECTION ASSY, LOCK	1	1						
17	4	172A47-74270	O-RING	1	1						
18	4	172458-74290	VALVE, REVERSE	1	1						
19	4	172458-74360	SPRING, VALVE	1	1						
20	4	172A47-74460	PLUG	1	1						
22	4	172A47-74560	BUSH PF1/2X1/4	1	1						
23	4	172A47-74570	PISTON B	1	1						
24	4	172A47-74580	PISTON A1	1	1						
25	4	172458-74640	STAY, VALVE	1	1						
26	4	172A47-74920	HOLDER, BALL	1	1						
27	4	172A47-74930	BODY, DISCHARGE	1	1						
28	4	172A47-75620	STAY, VALVE	1	1						
29	4	172A47-75680	O-RING	1	1						
30	4	172A47-75690	BALL, STEEL	1	1						
31	4	22312-050100	PIN, PARALLEL M5X10	2	2						
32	4	24311-000060	O-RING, 1AP6.0	2	2						
33	4	24315-000080	O-RING, 1BP8.0	1	1						
34	4	24315-000100	O-RING, 1BP10.0	1	1						
35	4	24315-000110	O-RING, 1BP11.0	1	1						
36	4	24315-000140	O-RING, 1BP14.0	1	1						
37	4	24315-000180	O-RING, 1BP18.0	1	1						
38	4	26450-050302	BOLT, M5X 30	2	2						
39	4	26450-060652	BOLT, M6X 65	2	2						
40	2	24315-000090	O-RING, 1BP9.0	1	1						
41	2	24315-000100	O-RING, 1BP10.0	1	1						

Fig.117. CONTROL VALVE(4/8)

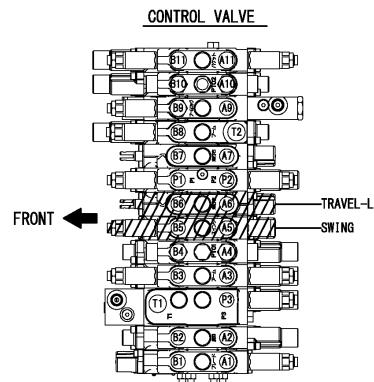
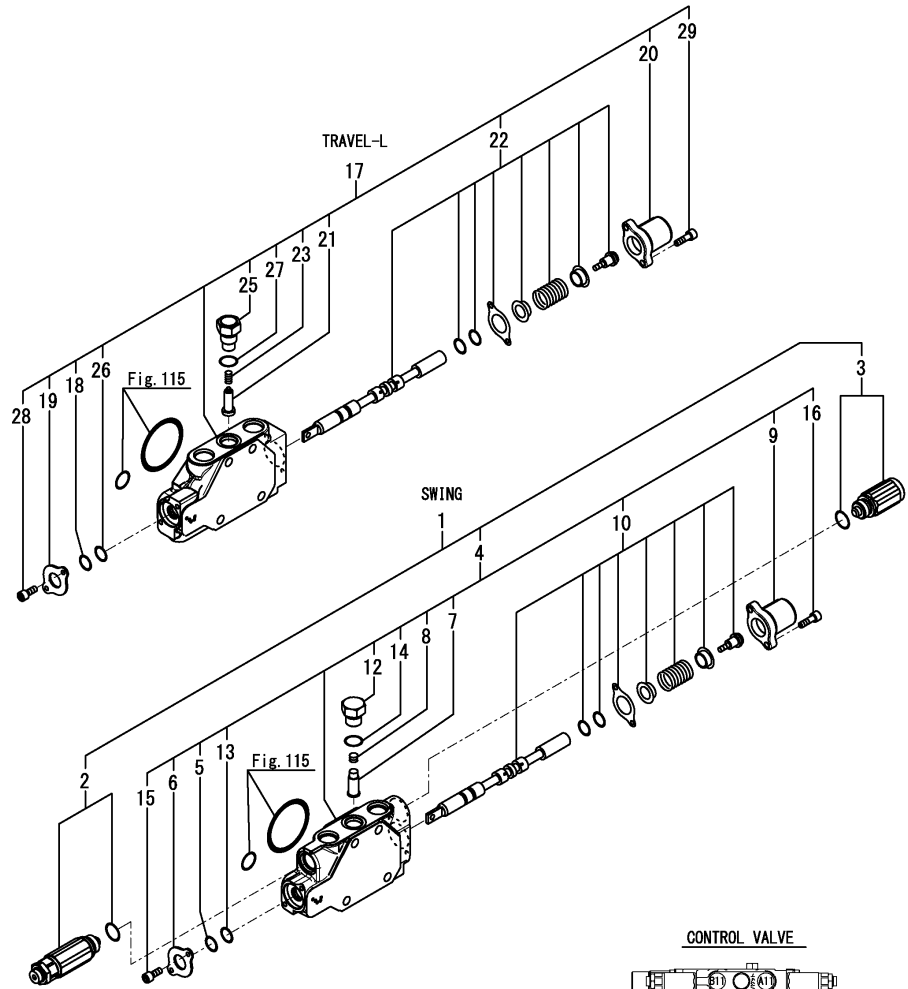
(A)=VIO50-6B P(BR)
 (B)=VIO50-6B C(BR)
 (C)=

(D)=
 (E)=
 (F)=



No.	Lev.	Parts No.	Description	Q'ty						I	R
				(A)	(B)	(C)	(D)	(E)	(F)		
1	2	172A79-74240	SECTION ASSY, INLET	1	1						
2	3	172A48-74210	VALVE ASSY, RELIEF	2	2						
3	3	172A78-74450	SECTION ASSY, INLET	1	1						
4	4	172499-70180	VALVE ASSY, REVERSE	1	1						
5	4	172458-74230	O-RING	2	2						
6	4	172458-74260	BOLT	4	4						
7	4	172173-74280	SPRING	1	1						
8	4	172A47-74350	SPOOL ASSY,INLET	1	1						
9	4	172A47-74360	FILTER	1	1						
10	4	172A47-74370	PISTON	1	1						
11	4	172A47-74380	COVER, PILOT	1	1						
13	4	172458-74530	SEAT, SPRING	1	1						
14	4	172458-74540	SPRING, RETURN	1	1						
15	4	172458-74550	COVER, PILOT	1	1						
16	4	172458-74670	PLUG	1	1						
17	4	172A47-74980	CIRCLIP	1	1						
18	4	24315-000080	O-RING, 1BP8.0	1	1						
19	2	172B04-74320	SECTION ASSY,TRAVEL2	1	1						
20	3	172458-74130	WIPER, DUST	1	1						
21	3	172458-74140	RETAINER, SEAL	1	1						
22	3	172458-74170	CAP, SPRING	1	1						
23	3	172458-74290	VALVE, REVERSE	1	1						
24	3	172B04-74330	SPOOL ASSY, TRAVEL	1	1						
25	3	172458-74360	SPRING, VALVE	1	1						
27	3	172458-74640	STAY, VALVE	1	1						
28	3	24311-000120	O-RING, 1AP12.0	1	1						
29	3	24315-000110	O-RING, 1BP11.0	1	1						
30	3	26450-050102	BOLT, M5X 10	2	2						
31	3	26450-050182	BOLT, M5X 18	2	2						

Fig.118. CONTROL VALVE(5/8)

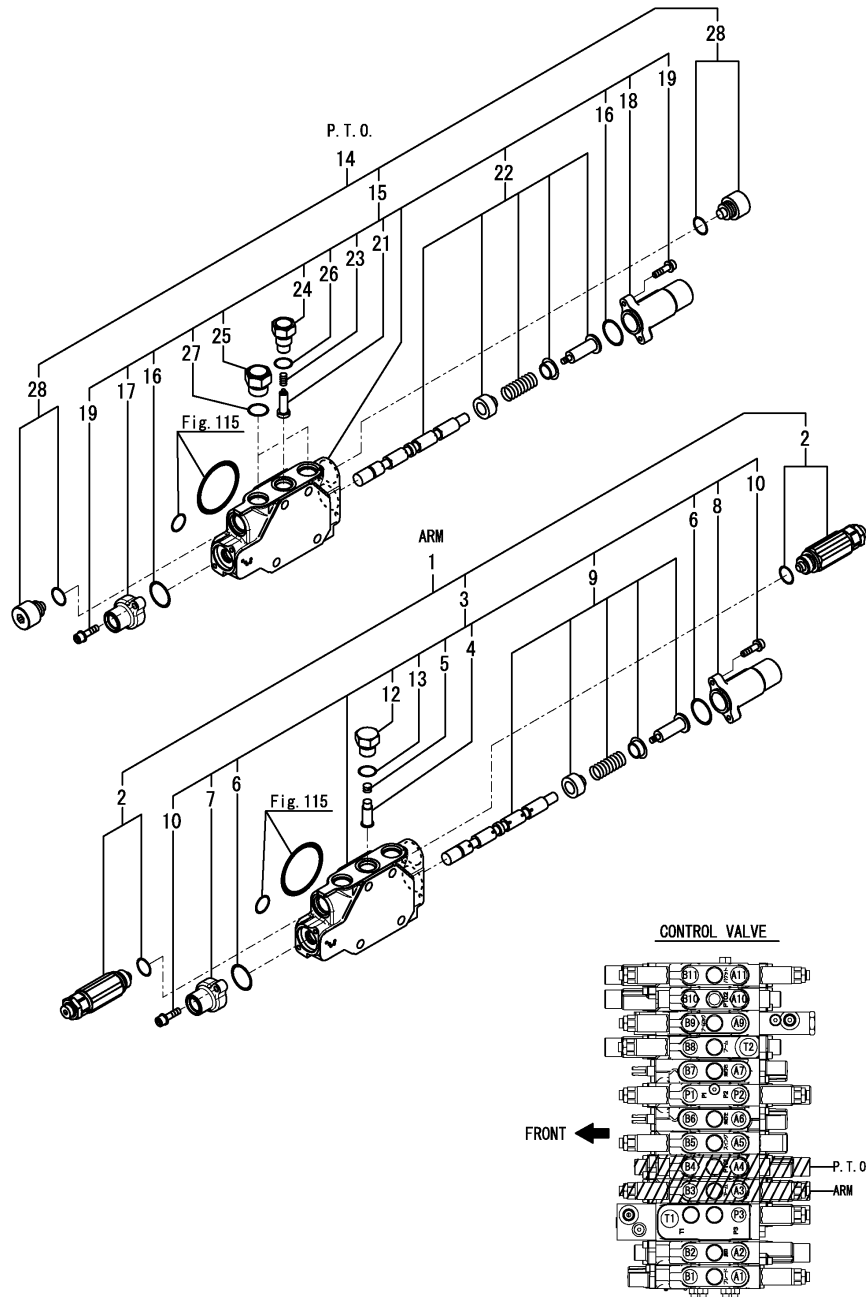


(A)=VIO50-6B P(BR)
 (B)=VIO50-6B C(BR)
 (C)=

(D)=
 (E)=
 (F)=

No.	Lev.	Parts No.	Description	Q'ty						I	R
				(A)	(B)	(C)	(D)	(E)	(F)		
1	2	172B04-74270	VALVE ASSY, B SWING	1	1						
2	3	172A48-74200	VALVE ASSY, OVERLOAD	1	1						
3	3	172447-74230	ANTI-CAVITATION	1	1						
4	3	172B04-74280	SECTION ASSY,B SWING	1	1						
5	4	172458-74130	WIPER, DUST	1	1						
6	4	172458-74140	RETAINER, SEAL	1	1						
7	4	172458-74150	VALVE, REVERSE	1	1						
8	4	172458-74160	SPRING, VALVE	1	1						
9	4	172458-74170	CAP, SPRING	1	1						
10	4	172A78-74330	SPOOL ASSY, SWING	1	1						
12	4	172458-74630	STAY, VALVE	1	1						
13	4	24311-000120	O-RING, 1AP12.0	1	1						
14	4	24315-000110	O-RING, 1BP11.0	1	1						
15	4	26450-050102	BOLT, M5X 10	2	2						
16	4	26450-050182	BOLT, M5X 18	2	2						
17	2	172B04-74310	SECTION ASSY,TRAVEL1	1	1						
18	3	172458-74130	WIPER, DUST	1	1						
19	3	172458-74140	RETAINER, SEAL	1	1						
20	3	172458-74170	CAP, SPRING	1	1						
21	3	172458-74290	VALVE, REVERSE	1	1						
22	3	172B04-74330	SPOOL ASSY, TRAVEL	1	1						
23	3	172458-74360	SPRING, VALVE	1	1						
25	3	172458-74640	STAY, VALVE	1	1						
26	3	24311-000120	O-RING, 1AP12.0	1	1						
27	3	24315-000110	O-RING, 1BP11.0	1	1						
28	3	26450-050102	BOLT, M5X 10	2	2						
29	3	26450-050182	BOLT, M5X 18	2	2						

Fig.119. CONTROL VALVE(6/8)

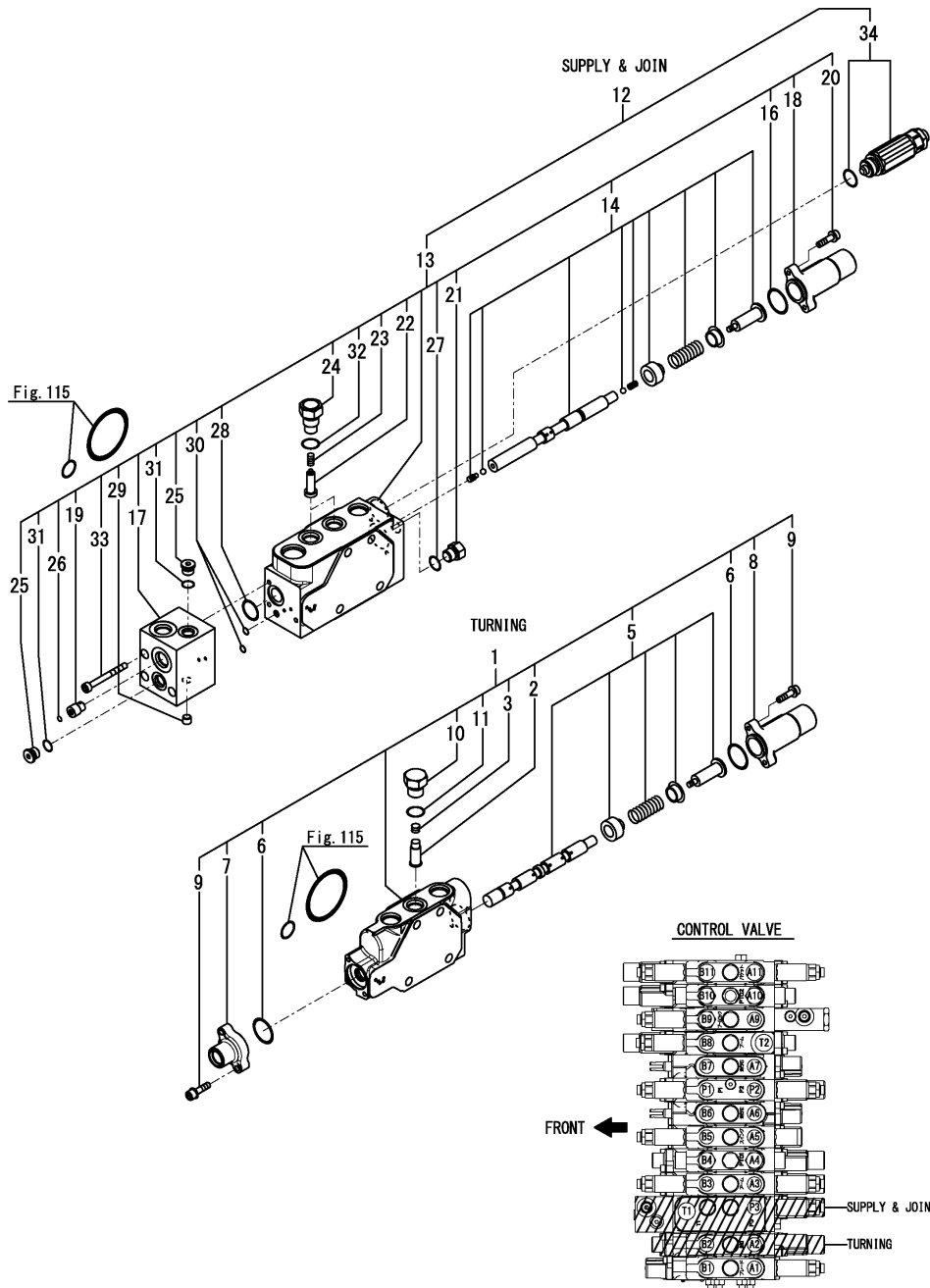


(A)=VIO50-6B P(BR)
 (B)=VIO50-6B C(BR)
 (C)=

(D)=
 (E)=
 (F)=

No.	Lev.	Parts No.	Description	Q'ty						I	R
				(A)	(B)	(C)	(D)	(E)	(F)		
1	2	172B04-74230	VALVE ASSY, ARM	1	1						
2	3	172A48-74200	VALVE ASSY, OVERLOAD	2	2						
3	3	172B04-74240	SECTION ASSY, ARM	1	1						
4	4	172458-74150	VALVE, REVERSE	1	1						
5	4	172458-74160	SPRING, VALVE	1	1						
6	4	172458-74230	O-RING	2	2						
7	4	172458-74240	COVER, PILOT	1	1						
8	4	172458-74250	COVER, PILOT	1	1						
9	4	172B04-74250	SPOOL ASSY, ARM	1	1						
10	4	172458-74260	BOLT	4	4						
12	4	172458-74630	STAY, VALVE	1	1						
13	4	24315-000110	O-RING, 1BP11.0	1	1						
14	2	172B02-74850	VALVE ASSY, PTO	1	1						
15	3	172B02-74290	SECTION ASSY, PTO	1	1						
16	4	172458-74230	O-RING	2	2						
17	4	172458-74240	COVER, PILOT	1	1						
18	4	172458-74250	COVER, PILOT	1	1						
19	4	172458-74260	BOLT	4	4						
21	4	172490-74310	VALVE, REVERSE	1	1						
22	4	172B02-74310	SPOOL ASSY, PTO	1	1						
23	4	172490-74320	SPRING, VALVE	1	1						
24	4	172490-74330	STAY, VALVE	1	1						
25	4	172A47-75620	STAY, VALVE	2	2						
26	4	24315-000110	O-RING, 1BP11.0	1	1						
27	4	24315-000140	O-RING, 1BP14.0	2	2						
28	3	172A47-75460	PLUG ASSY, VALVE	2	2						

Fig.120. CONTROL VALVE(7/8)



(A)=VIO50-6B P(BR)
 (B)=VIO50-6B C(BR)
 (C)=

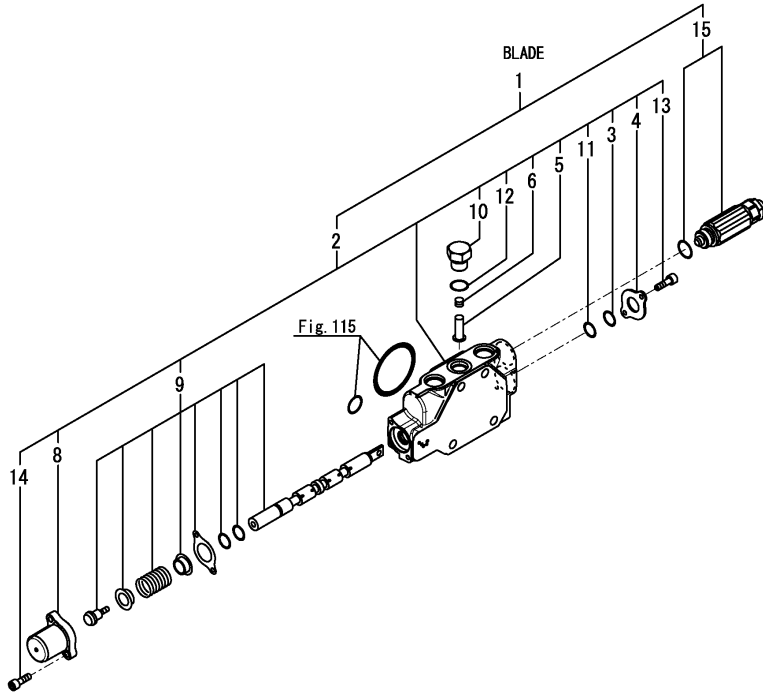
(D)=
 (E)=
 (F)=

No.	Lev.	Parts No.	Description	Q'ty						I	R
				(A)	(B)	(C)	(D)	(E)	(F)		
1	2	172B04-74190	SECTION ASSY, SWING	1	1						
2	3	172458-74150	VALVE, REVERSE	1	1						
3	3	172458-74160	SPRING, VALVE	1	1						
5	3	172B04-74200	SPOOL ASSY, SWING	1	1						
6	3	172458-74230	O-RING	2	2						
7	3	172458-74240	COVER, PILOT	1	1						
8	3	172458-74250	COVER, PILOT	1	1						
9	3	172458-74260	BOLT	4	4						
10	3	172458-74630	STAY, VALVE	1	1						
11	3	24315-000110	O-RING, 1BP11.0	1	1						
12	2	172B04-74210	VALVE ASSY, CONFLUX	1	1						
13	3	172B03-74160	SECTION ASSY, CONFLUX	1	1						
14	4	172B03-74170	SPOOL ASSY, CONFLUX	1	1						
16	4	172458-74230	O-RING	1	1						
17	4	172B02-74240	BLOCK, PILOT	1	1						
18	4	172458-74250	COVER, PILOT	1	1						
19	4	172B02-74250	PLUG, THROTTLE	1	1						
20	4	172458-74260	BOLT	2	2						
21	4	172A47-74260	PLUG	1	1						
22	4	172458-74290	VALVE, REVERSE	2	2						
23	4	172458-74360	SPRING, VALVE	2	2						
24	4	172458-74640	STAY, VALVE	2	2						
25	4	172458-74670	PLUG	2	2						
26	4	172499-74860	FILTER	1	1						
27	4	172A47-74950	O-RING	1	1						
28	4	172A47-75680	O-RING	1	1						
29	4	172A47-75720	PLUG NPT1/16	1	1						
30	4	24315-000050	O-RING, 1BP5.0	2	2						
31	4	24315-000080	O-RING, 1BP8.0	2	2						
32	4	24315-000110	O-RING, 1BP11.0	2	2						
33	4	26450-050502	BOLT, M5X 50	3	3						
34	3	172B04-74460	RELIEF ASSY, 21.6	1	1						

Fig.121. CONTROL VALVE(8/8)

(A)=VIO50-6B P(BR)
 (B)=VIO50-6B C(BR)
 (C)=

(D)=
 (E)=
 (F)=



No.	Lev.	Parts No.	Description	Q'ty						I	R
				(A)	(B)	(C)	(D)	(E)	(F)		
1	2	172B04-74150	VALVE ASSY, BLADE	1	1						
2	3	172B04-74160	SECTION ASSY, BLADE	1	1						
3	4	172458-74130	WIPER, DUST	1	1						
4	4	172458-74140	RETAINER, SEAL	1	1						
5	4	172458-74150	VALVE, REVERSE	1	1						
6	4	172458-74160	SPRING, VALVE	1	1						
8	4	172458-74170	CAP, SPRING	1	1						
9	4	172B04-74170	SPOOL ASSY, BLADE	1	1						
10	4	172458-74630	STAY, VALVE	1	1						
11	4	24311-000120	O-RING, 1AP12.0	1	1						
12	4	24315-000110	O-RING, 1BP11.0	1	1						
13	4	26450-050102	BOLT, M5X 10	2	2						
14	4	26450-050182	BOLT, M5X 18	2	2						
15	3	172A47-75480	VALVE ASSY, OVERLOAD	1	1						

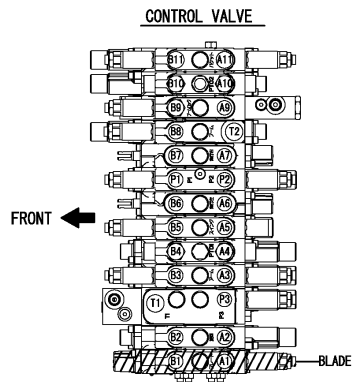
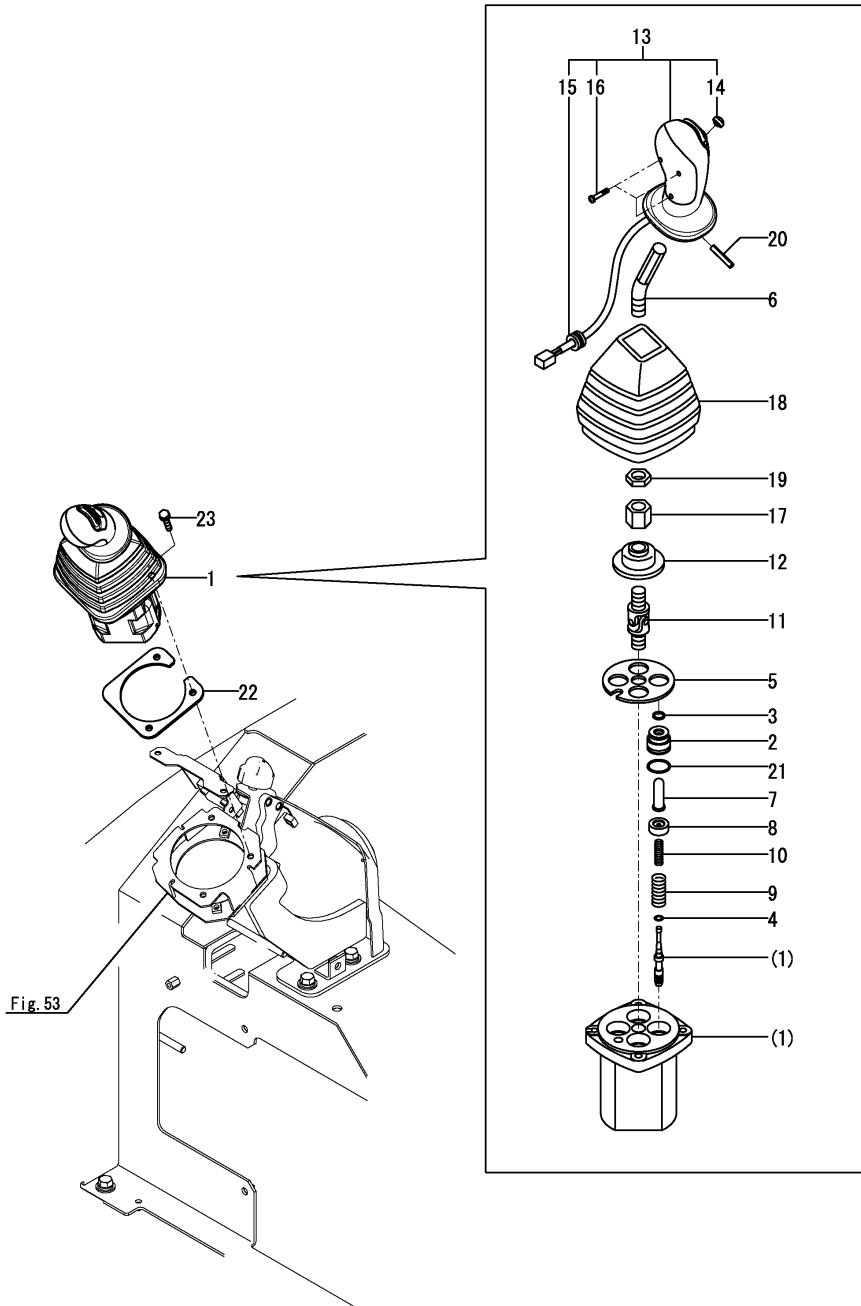


Fig.122. REMOTE CONTROL VALVE(RIGHT)

(A)=VIO50-6B P(BR)
 (B)=VIO50-6B C(BR)
 (C)=

(D)=
 (E)=
 (F)=



No.	Lev.	Parts No.	Description	Q'ty						I	R
				(A)	(B)	(C)	(D)	(E)	(F)		
1	1	172B03-74530	VALVE ASSY,R-PB	1	1						
2	2	172151-73400	PLUG	4	4						
3	2	172151-73420	SEAL	4	4						
4	2	172151-73450	WASHER	4	4						
5	2	172A64-74590	PLATE	1	1						
6	2	172B03-74590	LEVER	1	1						
7	2	172A64-74600	ROD,PUSH	4	4						
8	2	172A64-74610	SEAT, SPRING	4	4						
9	2	172A64-74620	SPRING	4	4						
10	2	172A64-74630	SPRING	4	4						
11	2	172A64-74640	JOINT	1	1						
12	2	172A64-74650	PLATE	1	1						
13	2	172B03-74650	HANDLE ASSY,PB	1	1						
14	3	172B03-74660	COVER, SWITCH	1	1						
15	3	172A64-74670	BUSH	1	1						
16	3	22853-300161	SCREW, 3.0 X 16	3	3						
17	2	172A64-74660	NUT	1	1						
18	2	172A64-74680	BELLOWS	1	1						
19	2	172A64-74900	NUT, LOCK	1	1						
20	2	172A64-74930	PIN,SPRING	1	1						
21	2	24315-000200	O-RING, 1BP20.0	4	4						
22	1	172A78-74651	PLATE,VALVE	1	1						
23	1	26014-060352	BOLT, M6X 35	3	3						

Fig.123. REMOTE CONTROL VALVE(LEFT)

(A)=VIO50-6B P(BR)
 (B)=VIO50-6B C(BR)
 (C)=

(D)=
 (E)=
 (F)=

No.	Lev.	Parts No.	Description	Q'ty						I	R
				(A)	(B)	(C)	(D)	(E)	(F)		
1	1	172B03-74560	VALVE ASSY,L-N	1	1						
2	2	172151-73400	PLUG	4	4						
3	2	172151-73420	SEAL	4	4						
4	2	172151-73450	WASHER	4	4						
5	2	172A64-74590	PLATE	1	1						
6	2	172B03-74590	LEVER	1	1						
7	2	172A64-74600	ROD,PUSH	4	4						
8	2	172A64-74610	SEAT, SPRING	4	4						
9	2	172A64-74620	SPRING	4	4						
10	2	172A64-74630	SPRING	4	4						
11	2	172A64-74640	JOINT	1	1						
12	2	172A64-74650	PLATE	1	1						
13	2	172A64-74660	NUT	1	1						
14	2	172A64-74680	BELLOWS	1	1						
15	2	172B03-74680	HANDLE ASSY,N	1	1						
16	3	22853-300161	SCREW, 3.0 X 16	3	3						
17	2	172A64-74900	NUT, LOCK	1	1						
18	2	172A64-74930	PIN,SPRING	1	1						
19	2	24315-000200	O-RING, 1BP20.0	4	4						
20	1	172A78-74651	PLATE,VALVE	1	1						
21	1	26014-060352	BOLT, M6X 35	3	3						

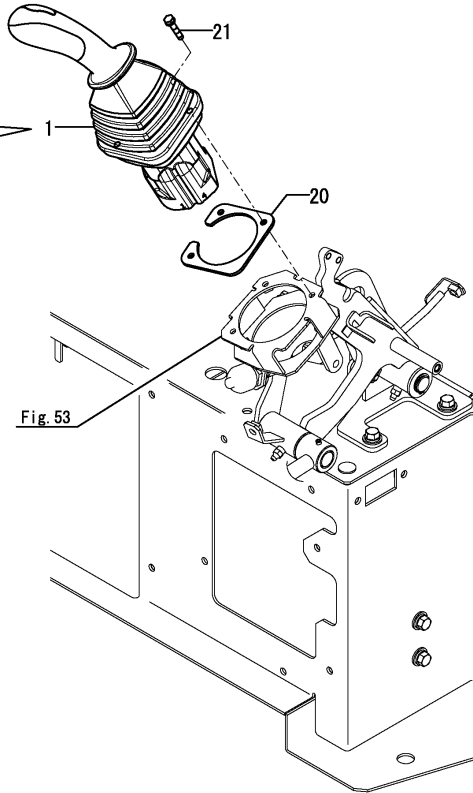
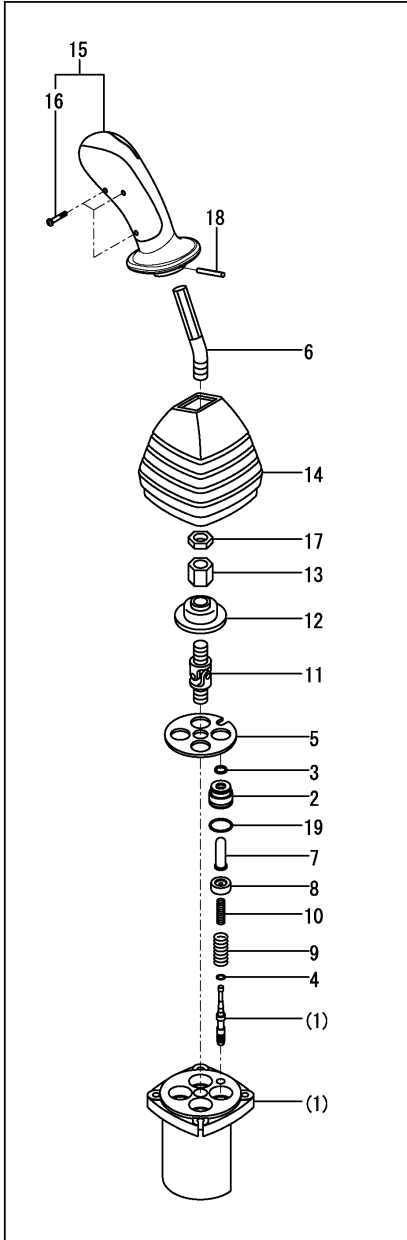


Fig.124. 2-WAY VALVE

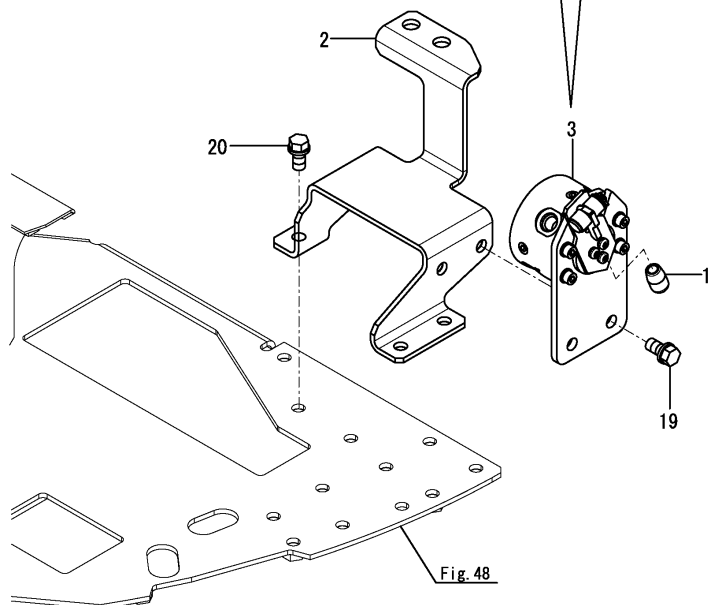
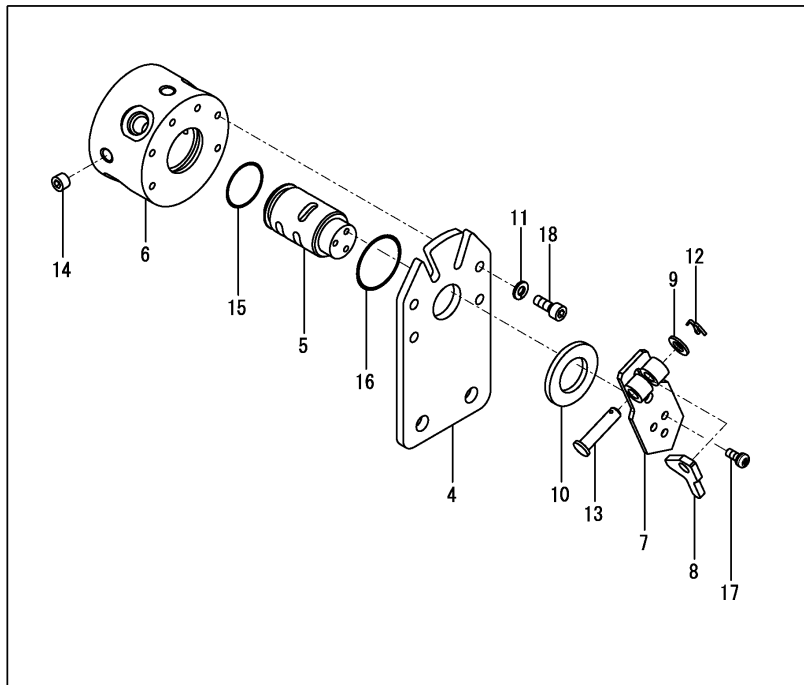


Fig. 48

(A)=VIO50-6B P(BR)
 (B)=VIO50-6B C(BR)
 (C)=

(D)=
 (E)=
 (F)=

No.	Lev.	Parts No.	Description	Q'ty						I	R
				(A)	(B)	(C)	(D)	(E)	(F)		
1	1	172157-58830	KNOB, 6.5X18X35	1	1						
2	1	172B03-74370	BRACKET ASSY, 2WAY	1	1						
3	1	172B03-74700	VALVE ASSY, 2-WAY	1	1						
4	2	172B03-74420	STAY, 2WAY	1	1						
5	2	172437-74711	SHAFT	1	1						
6	2	172437-74720	BLOCK, VALVE	1	1						
7	2	172A36-74750	LEVER	1	1						
8	2	172A36-74780	PLATE, LOCK	1	1						
9	2	22117-080000	WASHER, 8	1	1						
10	2	22137-240000	WASHER, 24	1	1						
11	2	22217-060000	WASHER, SPRING 6	4	4						
12	2	22417-200160	PIN, COTTER 2.0X16	1	1						
13	2	22487-080300	PIN, 8X 30	1	1						
14	2	23871-010000	PLUG, R01	4	4						
15	2	24311-000250	O-RING, 1AP25.0	1	1						
16	2	24311-000320	O-RING, 1AP32.0	1	1						
17	2	26022-050122	SCREW, M5X12	3	3						
18	2	26450-060162	BOLT, M6X 16	4	4						
19	1	26013-100202	BOLT, M10X 20	2	2						
20	1	26013-100202	BOLT, M10X 20	3	3						

Fig.125. SOLENOID VALVE(P.T.O.)

(A)=VIO50-6B P(BR)
 (B)=VIO50-6B C(BR)
 (C)=

(D)=
 (E)=
 (F)=

No.	Lev.	Parts No.	Description	Q'ty						I	R
				(A)	(B)	(C)	(D)	(E)	(F)		
1	1	172B03-74720	VALVE ASSY,PP	1	1						
2	2	172B05-74730	BOLT, SOCKET M5X12	4	4						
3	2	172B03-74750	CARTRIDGE ASSY,P1.6A	2	2						
4	3	172B03-74860	O-RING, 1B AS 013	2	2						
5	3	172B03-74870	O-RING, 1B AS 014	2	2						
6	3	172B03-74880	O-RING, 1B AS 015	2	2						
7	3	24315-000200	O-RING, 1BP20.0	2	2						
8	2	172B03-74770	BLOCK, 2	1	1						
9	1	172B03-74930	STAY , SOL 2 K	1	1						
10	1	26013-080162	BOLT, M8X 16	2	2						
11	1	26013-100202	BOLT, M10X 20	2	2						

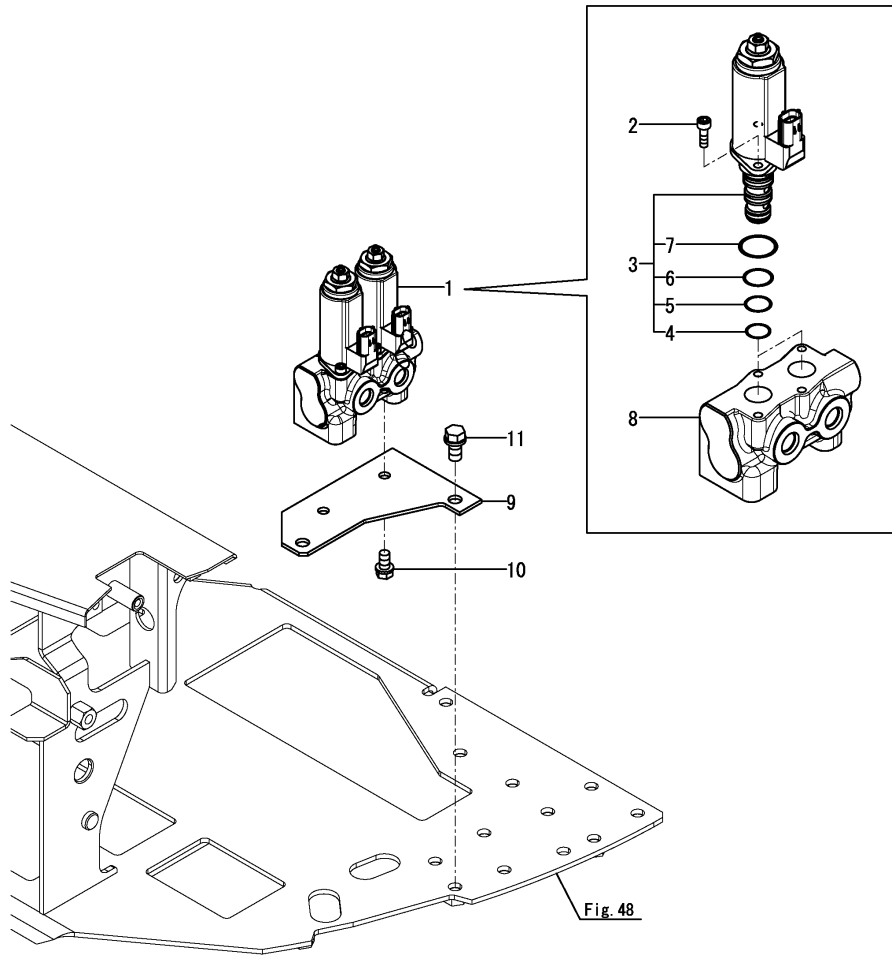
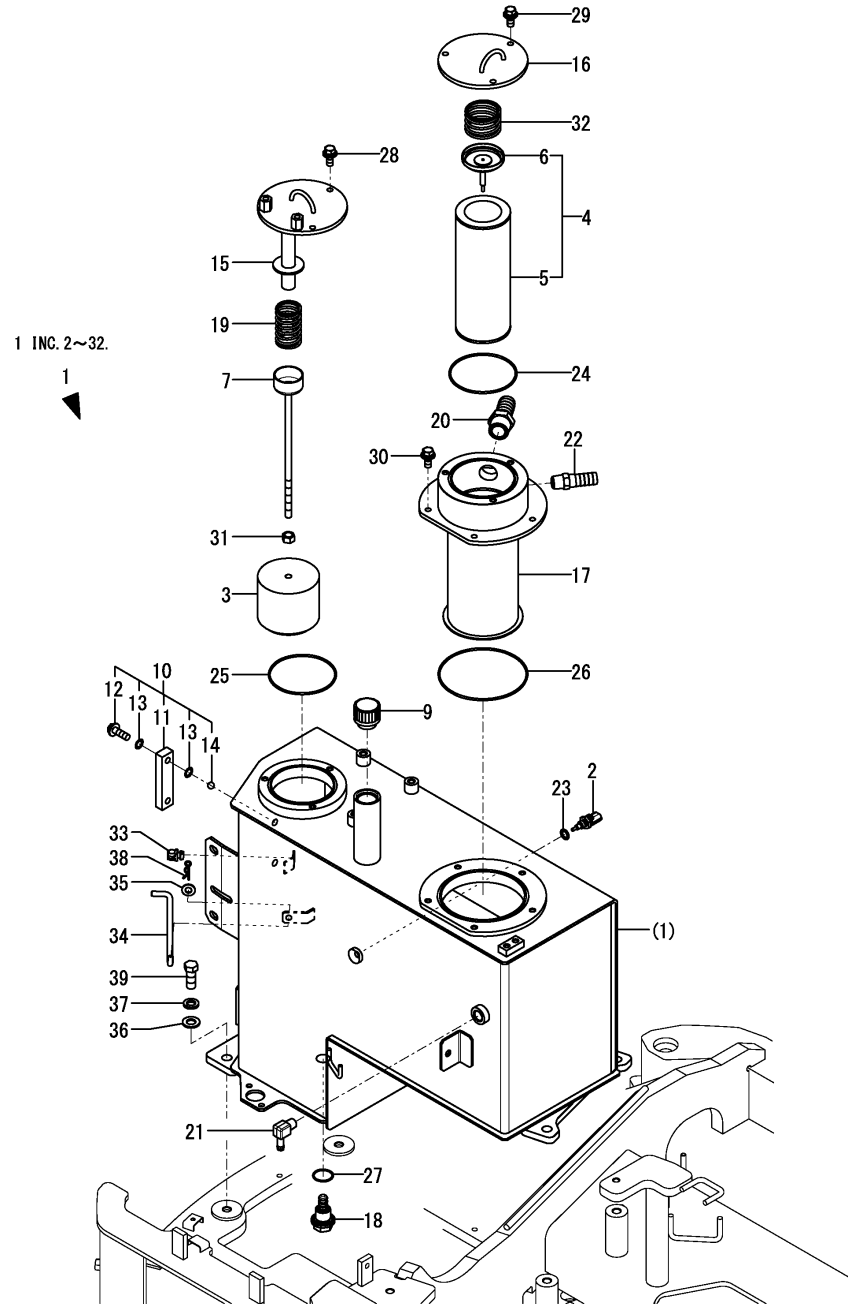


Fig. 48

Fig.126. HYD. OIL TANK



(A)=VIO50-6B P(BR)
 (B)=VIO50-6B C(BR)
 (C)=

(D)=
 (E)=
 (F)=

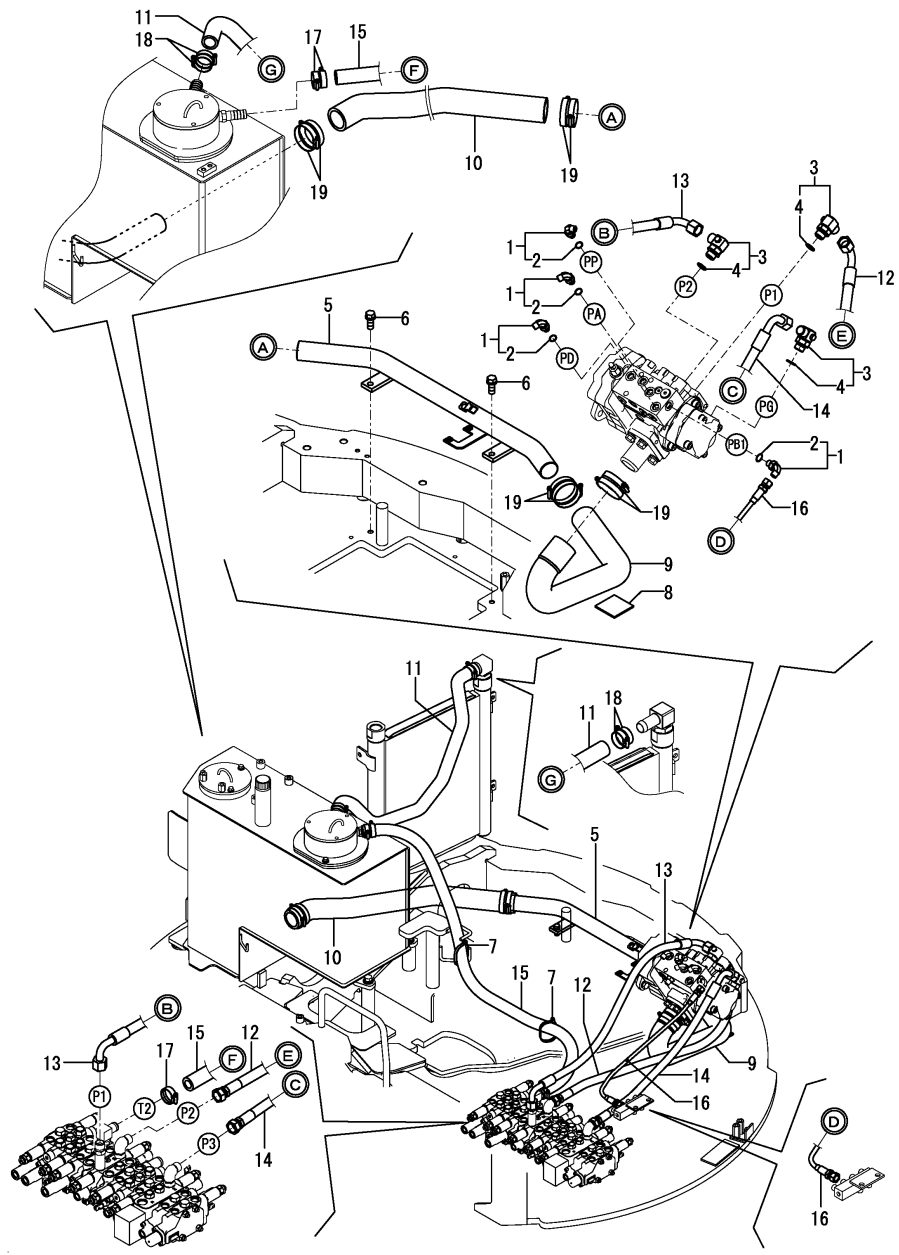
No.	Lev.	Parts No.	Description	Q'ty						I	R
				(A)	(B)	(C)	(D)	(E)	(F)		
1	1	172B04-08381	RESERVOIR KIT	1	1						
2	2	129927-44900	SENSOR, TEMPERATURE	1	1						
3	2	172137-73700	FILTER, SUCTION	1	1						
4	2	172175-73700	FILTER ASSY, RETURN	1	1						
5	3	172175-73710	ELEMENT, FILTER	1	1						
6	3	172141-73770	VALVE ASSY, BY-PASS	1	1						
7	2	172137-73710	ROD ASSY, FILTER	1	1						
9	2	172446-75250	CAP, RESERVOIR	1	1						
10	2	172455-75270	GAUGE ASSY, OIL	1	1						
11	3	172455-75280	GAUGE	1	1						
12	3	172455-75290	BOLT	2	2						
13	3	172455-75300	O-RING	4	4						
14	3	172455-75310	FLOAT	1	1						
15	2	172B04-75400	COVER ASSY	1	1						
16	2	172141-75430-5	COVER ASSY, INTAKE	1	1						
17	2	172B04-75450	FLANGE ASSY, RETURN	1	1						
18	2	172187-75500	PLUG	1	1						
19	2	172112-75780	SPRING, FILTER	1	1						
20	2	172187-76180	NIPPLE, HOSE	1	1						
21	2	172168-76370	ELBOW	1	1						
22	2	172438-76460	NIPPLE, HOSE 80	1	1						
23	2	22190-120002	WASHER, SEAL 12	1	1						
24	2	24321-001050	O-RING, 1AG105.0	1	1						
25	2	24321-001050	O-RING, 1AG105.0	1	1						
26	2	24321-001400	O-RING, 1AG140.0	1	1						
27	2	24341-000300	O-RING, 1AS30.0	1	1						
28	2	26014-080202	BOLT, M8X 20	3	3						
29	2	26014-080202	BOLT, M8X 20	3	3						
30	2	26014-080202	BOLT, M8X 20	5	5						
31	2	26716-100002	NUT, M10	1	1						
32	2	933152-02710	SPRING, CLUTCH	1	1						
33	1	1A7400-61250	HOLDER, ROD 8	1	1						
34	1	172B04-65780	HOOK, BONNET R	1	1						
35	1	22137-080000	WASHER, 8	1	1						
36	1	22137-140000	WASHER, 14	4	4						
37	1	22217-140000	WASHER, SPRING 14	4	4						
38	1	22372-080000	PIN, SNAP 8	1	1						
39	1	26116-140352	BOLT, M14X 35 PLATED	4	4						

Fig.127. TANK - PUMP & CONTROL VALVE

(A)=VIO50-6B P(BR)
 (B)=VIO50-6B C(BR)
 (C)=

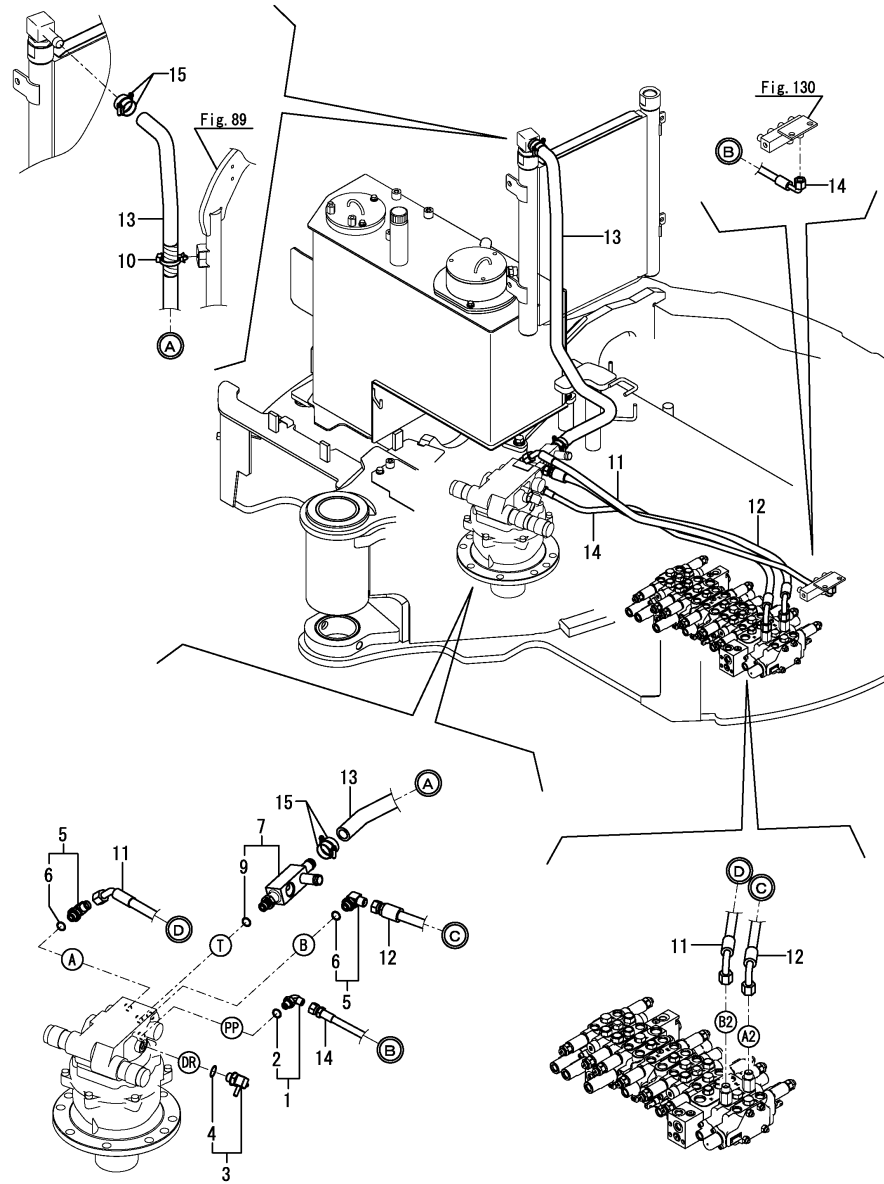
(D)=
 (E)=
 (F)=

No.	Lev.	Parts No.	Description	Q'ty						I	R
				(A)	(B)	(C)	(D)	(E)	(F)		
1	1	172B03-76010	ELBOW	4	4						
2	2	41851-000110	O-RING	4	4						
3	1	172A47-76151	ELBOW, 90 G1/2-G1/2	3	3						
4	2	41851-000180	O-RING	3	3						
5	1	172B04-76700	TUBE ASSY, SUCTION	1	1						
6	1	26013-100252	BOLT, M10X 25	2	2						
7	1	172126-11510	BAND	2	2						
8	1	172446-14250	PLATE, RUBBER	1	1						
9	1	172B04-78100	HOSE,SUCTION A	1	1						
10	1	172B04-78110	HOSE,SUCTION B	1	1						
11	1	172B04-78120	HOSE, 25.4X35.4	1	1						
12	1	172B04-78130	HOSE, H108BC075S	1	1						
13	1	172B04-78140	HOSE, H108CC077S	1	1						
14	1	172B04-78150	HOSE, H108BC066S	1	1						
15	1	172B04-78310	HOSE, G612YY124S	1	1						
16	1	172B04-78600	HOSE, F403BB060S	1	1						
17	1	23001-035000	CLAMP, HOSE 35	3	3						
18	1	23001-041000	CLAMP, HOSE 41	4	4						
19	1	23001-060000	CLAMP, HOSE 60	8	8						



Remarks
 * Fitting(control valve) is shown in Fig.129 & 130.

Fig.128. CONTROL VALVE - TURNING MOTOR



(A)=VIO50-6B P(BR)
 (B)=VIO50-6B C(BR)
 (C)=

(D)=
 (E)=
 (F)=

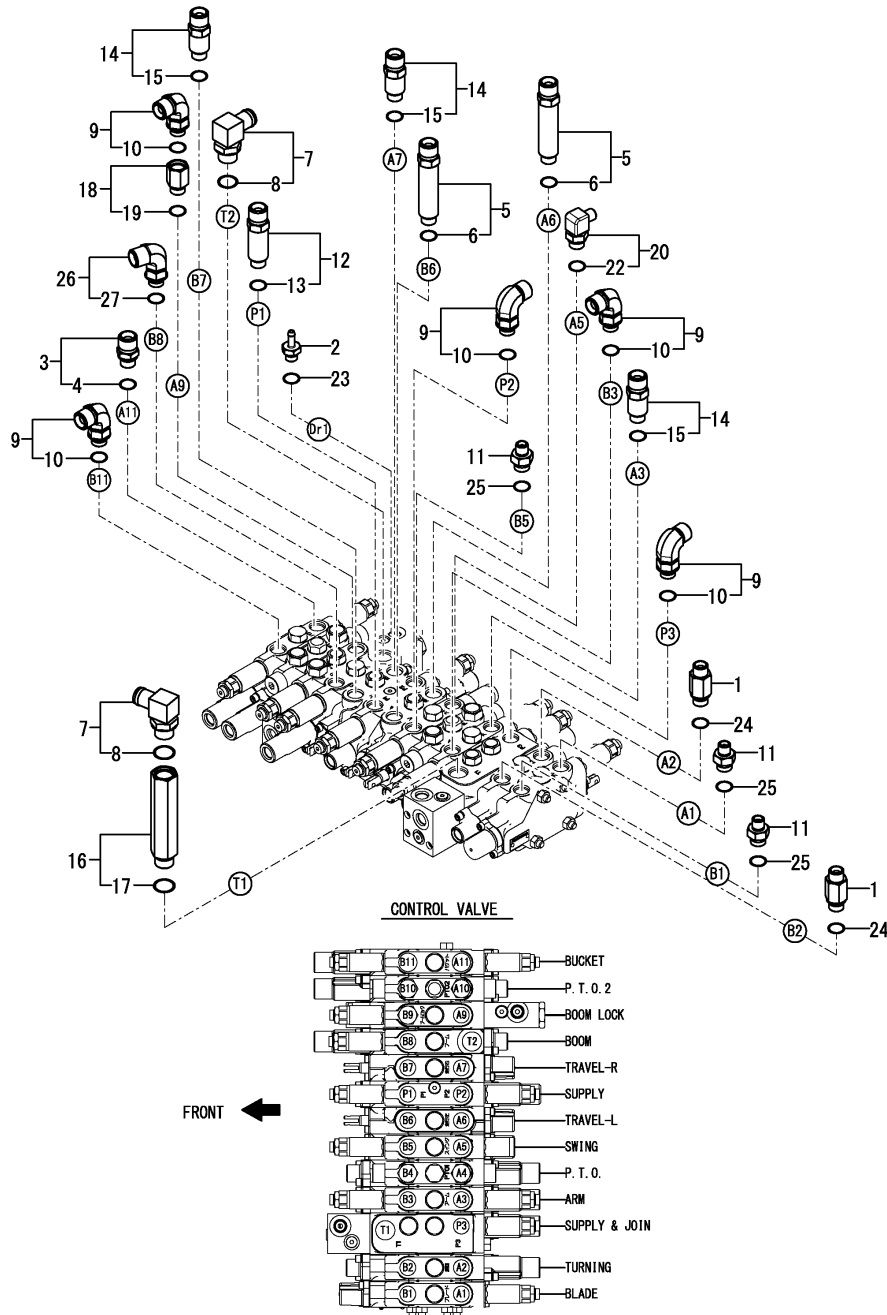
No.	Lev.	Parts No.	Description	Q'ty						I	R
				(A)	(B)	(C)	(D)	(E)	(F)		
1	1	172B03-76010	ELBOW	1	1						
2	2	41851-000110	O-RING	1	1						
3	1	172A52-76110	NIPPLE, TEE	1	1						
4	2	24315-000140	O-RING, 1BP14.0	1	1						
5	1	172142-76181	JOINT ASSY	2	2						
6	2	24315-000140	O-RING, 1BP14.0	2	2						
7	1	172B04-76910	CONNECTOR ASSY	1	1						
9	2	41851-000140	O-RING	1	1						
10	1	194680-51670	BAND, CLIP	1	1						
11	1	172B04-78260	HOSE, F206CE092S	1	1						
12	1	172B04-78270	HOSE, F206BC084S	1	1						
13	1	172B04-78511	HOSE, 19.0X29.0	1	1						
14	1	172B04-78610	HOSE, F403BC088S	1	1						
15	1	23001-035000	CLAMP, HOSE 35	4	4						

Remarks

* Fitting(control valve) is shown in Fig.129.

N:Old $\xrightarrow{\text{Yes}}$ New, Q:Old $\xrightarrow{\text{No}}$ New, R:Old $\xrightarrow{\text{Yes}}$ New, S:Old $\xrightarrow{\text{No}}$ New, W:Add, Z:Discontinued, F:Interchangeable by set, K:Q'ty Change

Fig.129. CONTROL VALVE(FITTING)(1)

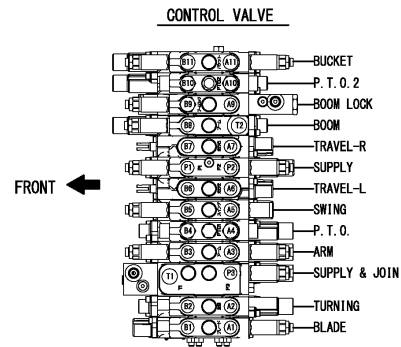
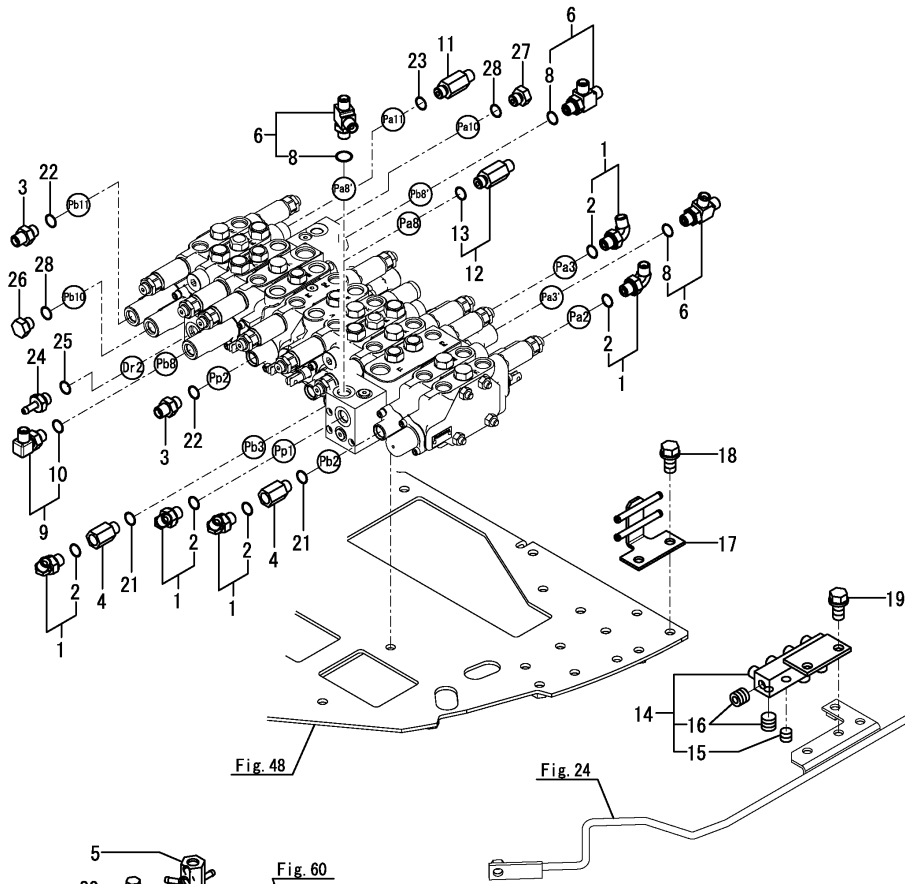


(A)=VIO50-6B P(BR)
 (B)=VIO50-6B C(BR)
 (C)=

(D)=
 (E)=
 (F)=

No.	Lev.	Parts No.	Description	Q'ty						I	R
				(A)	(B)	(C)	(D)	(E)	(F)		
1	1	172B03-76070	CONNECTOR, G3/8X3/8	2	2						
2	1	172B03-76080	NIPPLE, G1/4	1	1						
3	1	172B03-76110	CONNECTOR, G1/2X3/8	1	1						
4	2	41851-000140	O-RING	1	1						
5	1	172B03-76120	CONNECTOR, G1/2X3/8L	2	2						
6	2	41851-000140	O-RING	2	2						
7	1	172164-76131	ELBOW, 90 3/4-1/2	2	2						
8	2	24315-000180	O-RING, 1BP18.0	2	2						
9	1	172B03-76130	ELBOW	5	5						
10	2	41851-000140	O-RING	5	5						
11	1	172124-76160	CONNECTOR	3	3						
12	1	172B03-76160	CONNECTOR, G1/2X3/8M	1	1						
13	2	41851-000140	O-RING	1	1						
14	1	172B03-76170	CONNECTOR, G1/2X3/8S	3	3						
15	2	41851-000140	O-RING	3	3						
16	1	172B03-76190	ADAPTER	1	1						
17	2	41851-000180	O-RING	1	1						
18	1	172B03-76630	ADAPTER	1	1						
19	2	41851-000140	O-RING	1	1						
20	1	172141-76920	CONNECTOR ASSY	1	1						
22	2	24315-000140	O-RING, 1BP14.0	1	1						
23	1	41851-000110	O-RING	1	1						
24	1	41851-000140	O-RING	2	2						
25	1	41851-000140	O-RING	3	3						
26	1	172B03-76130	ELBOW	1	1						
27	2	41851-000140	O-RING	1	1						

Fig.130. CONTROL VALVE(FITTING)(2)



(A)=VIO50-6B P(BR)
 (B)=VIO50-6B C(BR)
 (C)=

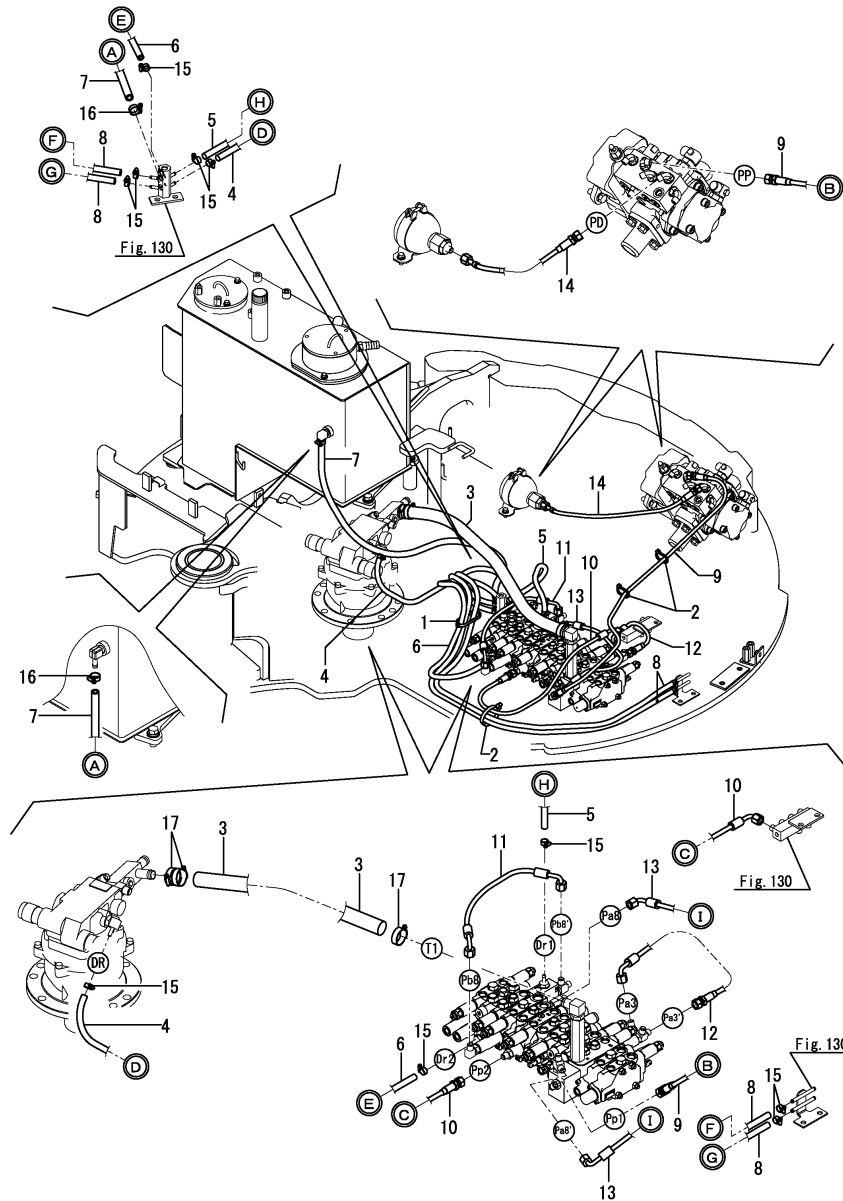
(D)=
 (E)=
 (F)=

No.	Lev.	Parts No.	Description	Q'ty						I	R
				(A)	(B)	(C)	(D)	(E)	(F)		
1	1	172B03-76010	ELBOW	5	5						
2	2	41851-000110	O-RING	5	5						
3	1	172123-76121	ADAPTER	2	2						
4	1	172422-76140	CONNECTOR	2	2						
5	1	172445-76153	BLOCK, DRAIN	1	1						
6	1	172162-76181	JOINT ASSY	3	3						
8	2	41851-000110	O-RING	3	3						
9	1	172A47-76180	ELBOW, 90 G1/4-0.6	1	1						
10	2	41851-000110	O-RING	1	1						
11	1	172183-76200	CONNECTOR	1	1						
12	1	172A47-76290	CONNECTOR	1	1						
13	2	41851-000110	O-RING	1	1						
14	1	172A47-76310	BLOCK, PILOT	1	1						
15	2	23871-010000	PLUG, R01	1	1						
16	2	23871-020000	PLUG, R02	2	2						
17	1	172B03-76310	CONNECTOR ASSY	1	1						
18	1	26013-100202	BOLT, M10X 20	2	2						
19	1	26013-100202	BOLT, M10X 20	2	2						
20	1	26013-100202	BOLT, M10X 20	2	2						
21	1	41851-000110	O-RING	2	2						
22	1	41851-000110	O-RING	2	2						
23	1	41851-000110	O-RING	1	1						
24	1	172B03-76080	NIPPLE, G1/4	1	1						
25	1	41851-000110	O-RING	1	1						
26	1	172A47-76270	PLUG, PILOT	1	1						
27	1	172A47-76280	PLUG, PILOT	1	1						
28	1	41851-000110	O-RING	2	2						

Fig.131. CONTROL VALVE - RETURN & DRAIN

(A)=VIO50-6B P(BR)
 (B)=VIO50-6B C(BR)
 (C)=

(D)=
 (E)=
 (F)=

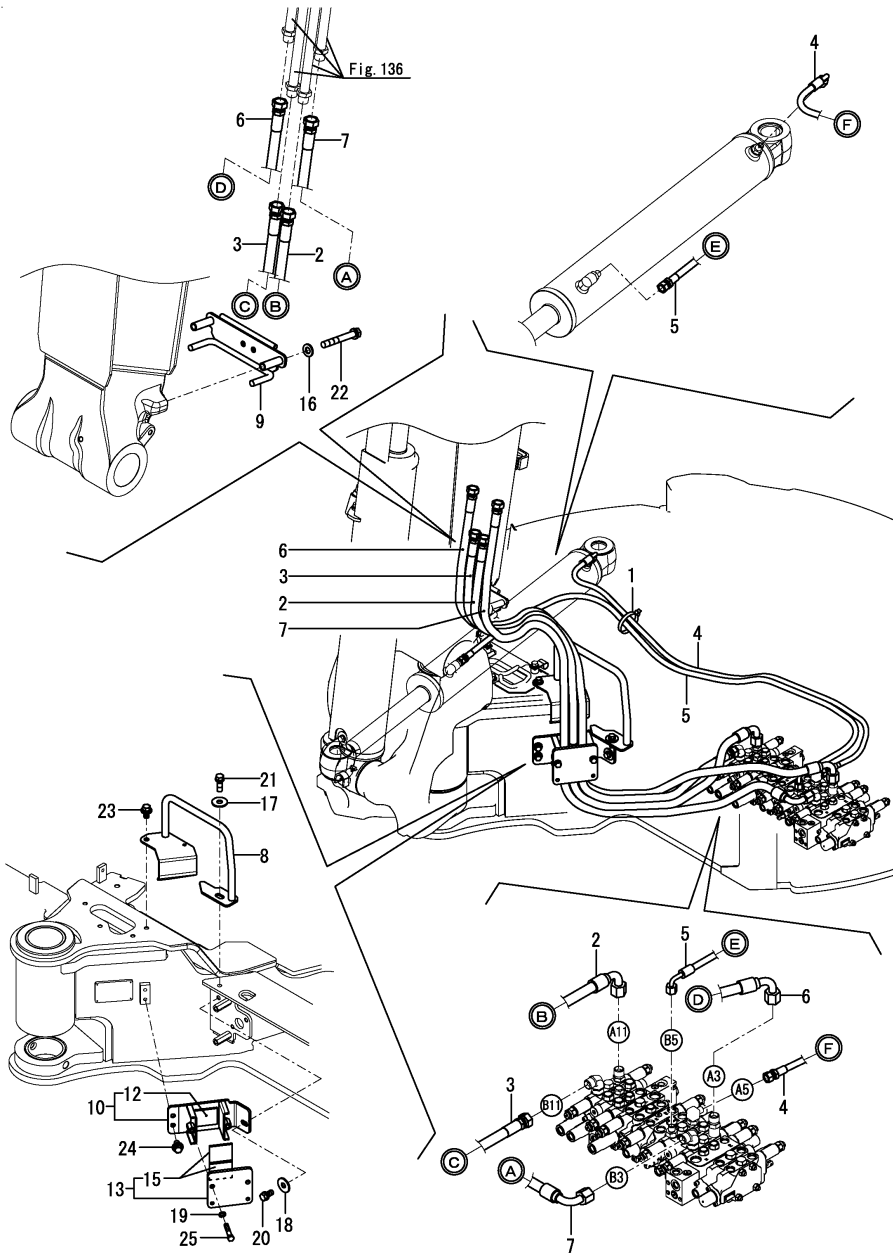


No.	Lev.	Parts No.	Description	Q'ty						I	R
				(A)	(B)	(C)	(D)	(E)	(F)		
1	1	172126-11510	BAND	1	1						
2	1	194202-56460	BAND, 200	3	3						
3	1	172B04-78301	HOSE, G612YY080	1	1						
4	1	172B04-78530	HOSE, G804YY057	1	1						
5	1	172B04-78540	HOSE, G804YY060S	1	1						
6	1	172B04-78550	HOSE, G804YY117S	1	1						
7	1	172B04-78560	HOSE, G806YY099S	1	1						
8	1	172B04-78570	HOSE, G804YY152S	2	2						
9	1	172B04-78620	HOSE, F403BB102S	1	1						
10	1	172B04-78640	HOSE, F403BC080S	1	1						
11	1	172B03-78650	HOSE, F403CC040S	1	1						
12	1	172B03-78701	HOSE, H603BC023S	1	1						
13	1	172B03-78720	HOSE, F403CC056	1	1						
14	1	172B04-78760	HOSE, F403BB057S	1	1						
15	1	23000-013000	CLAMP, 13	10	10						
16	1	23001-019000	CLAMP, HOSE 19	2	2						
17	1	23001-035000	CLAMP, HOSE 35	3	3						

Remarks

- * Fitting(hydraulic pump) is shown in Fig.127.
- * Fitting(turning motor) is shown in Fig.128.
- * Fitting(control valve) is shown in Fig.129 & 130.

Fig.132. CONTROL VALVE - BOOM BULKHEAD & SWING



(A)=VIO50-6B P(BR)
 (B)=VIO50-6B C(BR)
 (C)=

(D)=
 (E)=
 (F)=

No.	Lev.	Parts No.	Description	Q'ty						I	R
				(A)	(B)	(C)	(D)	(E)	(F)		
1	1	172126-11510	BAND	1	1						
2	1	172B04-78162	HOSE, H108BC174K	1	1						
3	1	172B04-78172	HOSE, H108BB159K	1	1						
4	1	172B04-78220	HOSE, H104BC138S	1	1						
5	1	172B04-78230	HOSE, H104BC170S	1	1						
6	1	172B04-78241	HOSE, H108BC201K	1	1						
7	1	172B04-78251	HOSE, H108BC192K	1	1						
8	1	172B04-79720	GUIDE ASSY,HOSE	1	1						
9	1	172B04-79800	GUIDE ASSY, HOSE	1	1						
10	1	172B04-79900	SUPPORT ASSY, HOSE	1	1						
12	2	172B03-79970	CLAMP, HOSE	1	1						
13	1	172B04-79950	PLATE ASSY, HOSE	1	1						
15	2	172B03-79970	CLAMP, HOSE	2	2						
16	1	22137-100000	WASHER, 10	2	2						
17	1	22157-100000	WASHER, 10	1	1						
18	1	22157-100000	WASHER, 10	1	1						
19	1	22217-100000	WASHER, SPRING 10	2	2						
20	1	26013-100202	BOLT, M10X 20	1	1						
21	1	26013-100302	BOLT, M10X 30	1	1						
22	1	26013-100752	BOLT, M10X 75	2	2						
23	1	26014-100202	BOLT, M10X 20	1	1						
24	1	26014-100202	BOLT, M10X 20	2	2						
25	1	26116-100454	BOLT, M10X 45 PLATED	2	2						

Remarks

* Fitting(control valve) is shown in Fig.129 & 130.

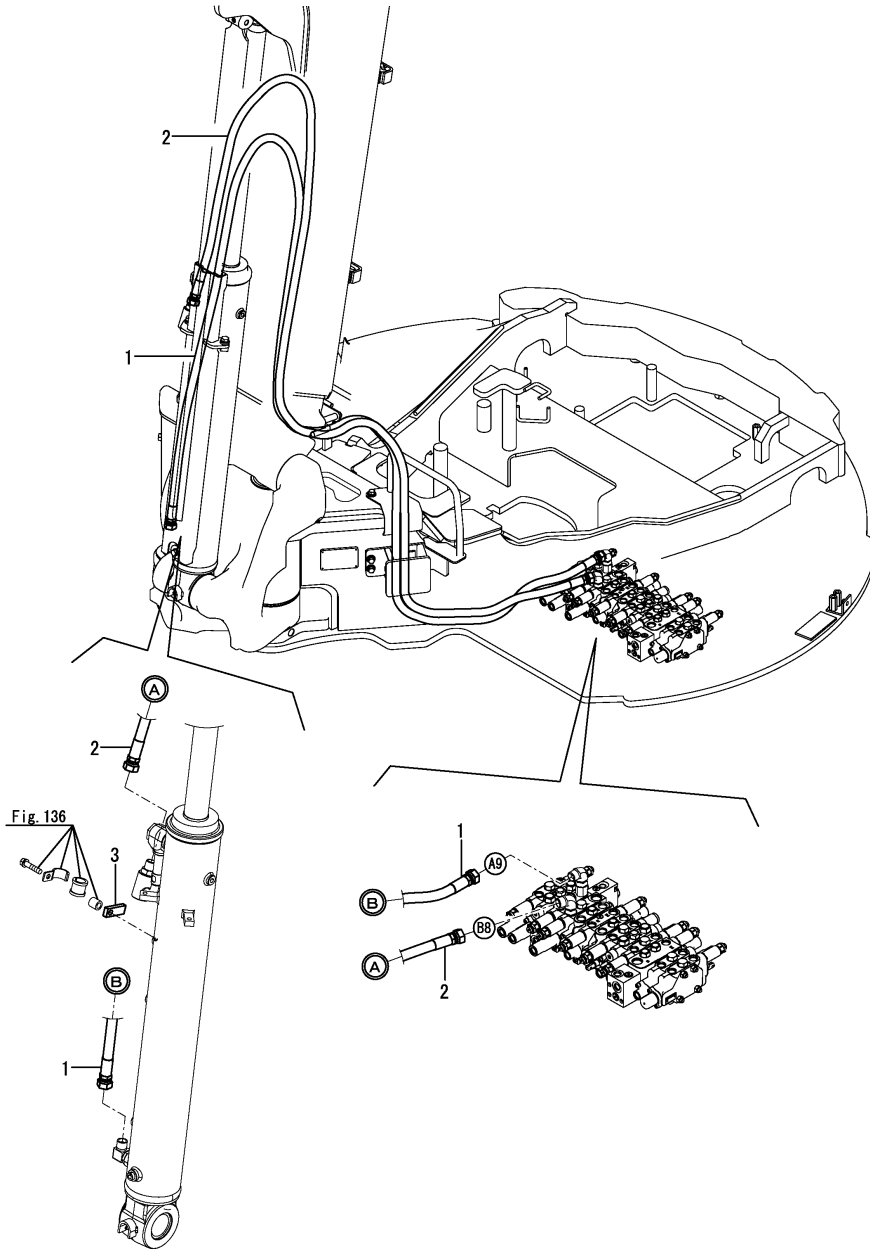
N:Old $\xrightarrow{\text{Yes}}$ New, Q:Old $\xrightarrow{\text{No}}$ New, R:Old $\xrightarrow{\text{Yes}}$ New, S:Old $\xrightarrow{\text{No}}$ New, W:Add, Z:Discontinued, F:Interchangeable by set, K:Q'ty Change

Fig.133. CONTROL VALVE - BOOM CYLINDER

(A)=VIO50-6B P(BR)
 (B)=VIO50-6B C(BR)
 (C)=

(D)=
 (E)=
 (F)=

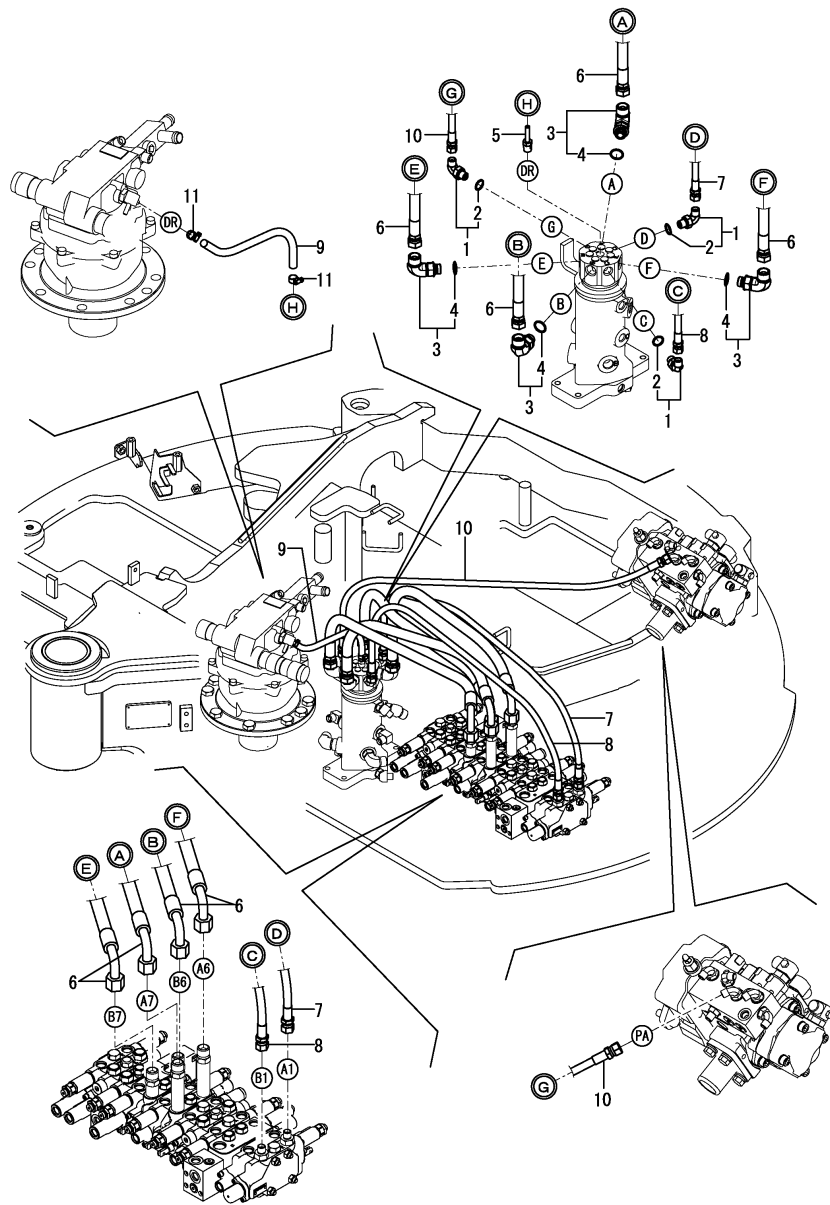
No.	Lev.	Parts No.	Description	Q'ty						I	R
				(A)	(B)	(C)	(D)	(E)	(F)		
1	1	172B04-78182	HOSE, H108BB363K	1	1						
2	1	172B04-78192	HOSE, H108BB311K	1	1						
3	1	172B03-79880	PLATE,HOSE CLAMP	1	1						



Remarks

* Fitting(control valve) is shown in Fig.129.

Fig.134. CONTROL VALVE - SWIVEL JOINT



(A)=VIO50-6B P(BR)
 (B)=VIO50-6B C(BR)
 (C)=

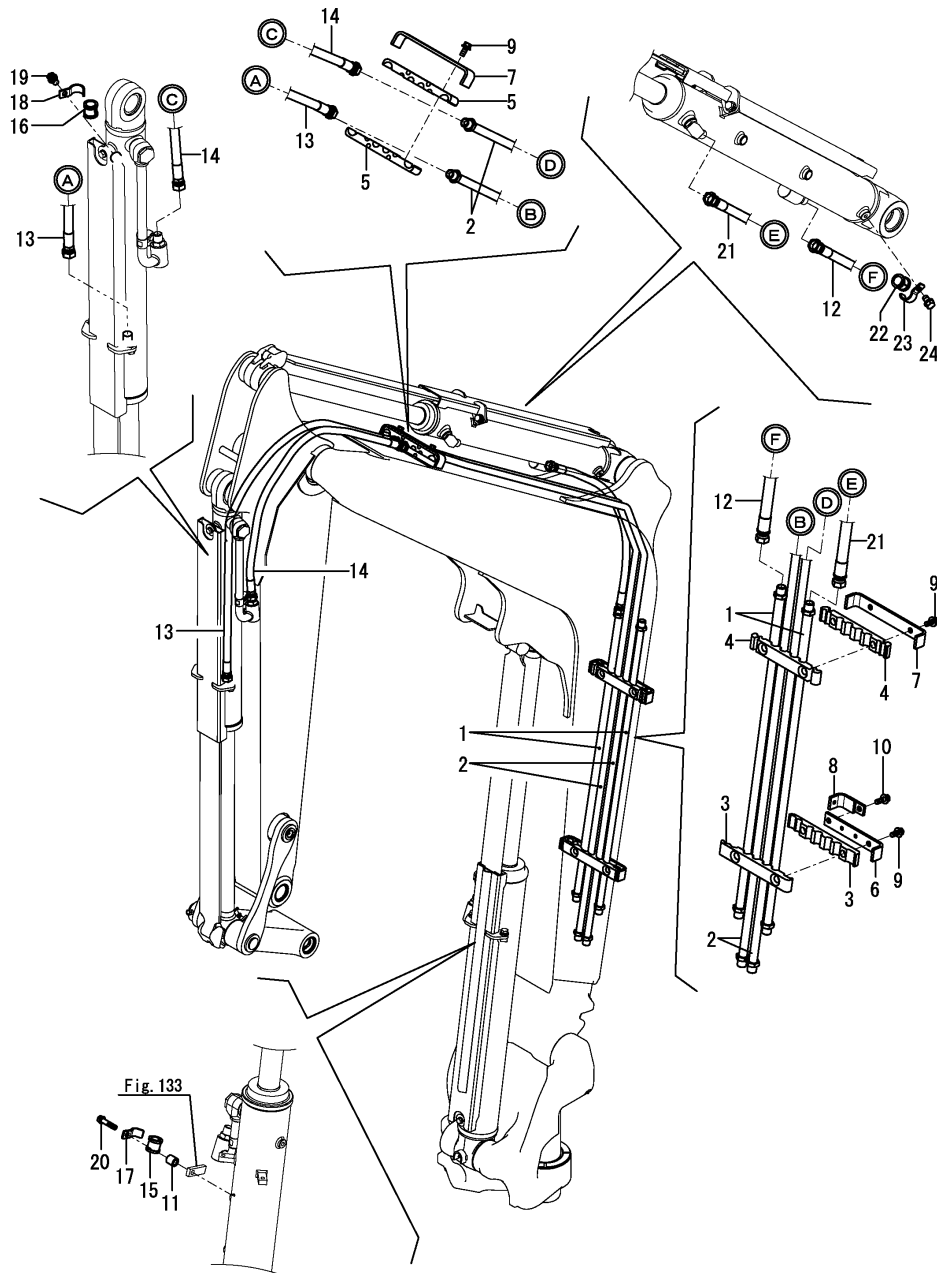
(D)=
 (E)=
 (F)=

No.	Lev.	Parts No.	Description	Q'ty						I	R
				(A)	(B)	(C)	(D)	(E)	(F)		
1	1	172B03-76010	ELBOW	3	3						
2	2	41851-000110	O-RING	3	3						
3	1	172B03-76130	ELBOW	4	4						
4	2	41851-000140	O-RING	4	4						
5	1	172141-76220	NIPPLE, 02	1	1						
6	1	172B04-78200	HOSE, H108BC069S	4	4						
7	1	172B04-78280	HOSE, F204BB102S	1	1						
8	1	172B04-78290	HOSE, F204BB097S	1	1						
9	1	172B04-78520	HOSE, G804YY037	1	1						
10	1	172B04-78630	HOSE, F403BB089S	1	1						
11	1	23000-013000	CLAMP, 13	2	2						

Remarks

- * Fitting(hydraulic pump) is shown in Fig.127.
- * Fitting(turning motor) is shown in Fig.128.
- * Fitting(control valve) is shown in Fig.129.

Fig.136. ARM CYLINDER & BUCKET CYLINDER

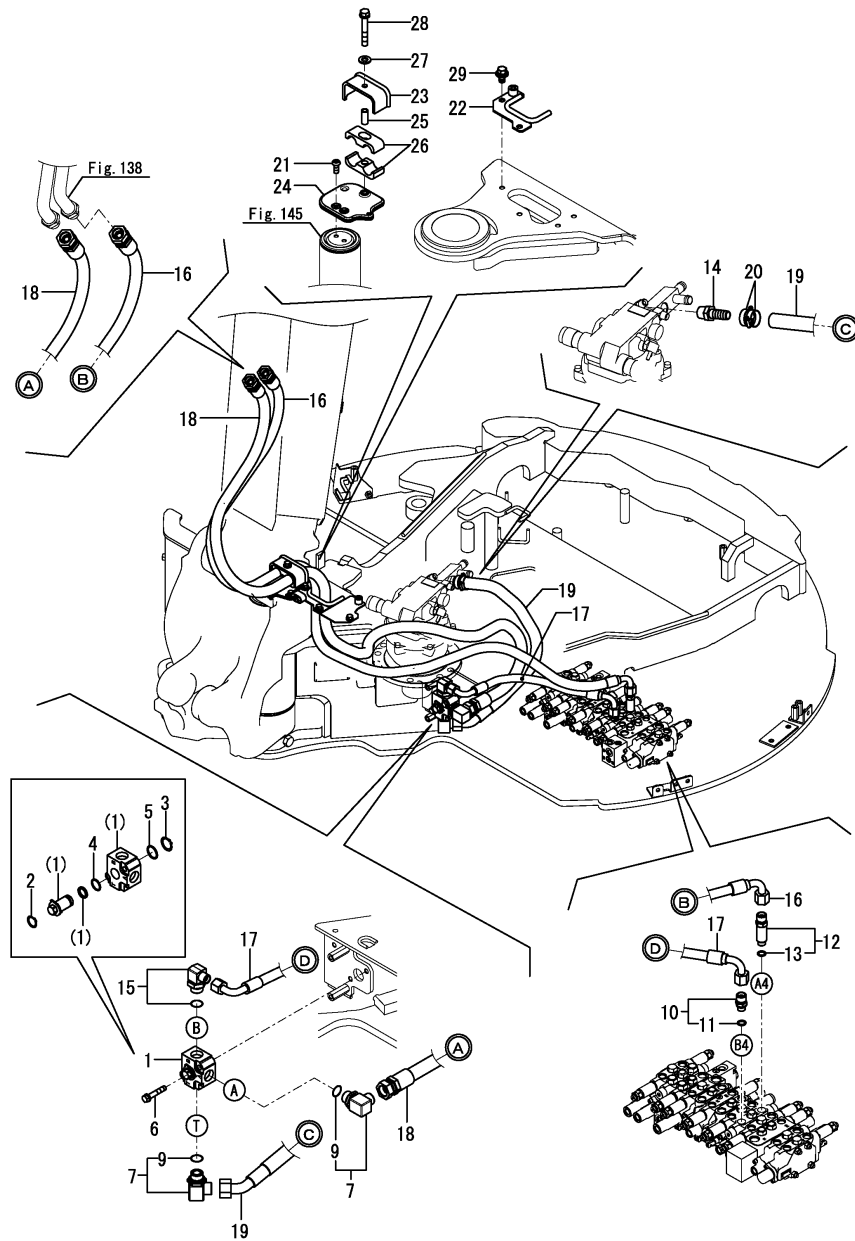


(A)=VIO50-6B P(BR)
 (B)=VIO50-6B C(BR)
 (C)=

(D)=
 (E)=
 (F)=

No.	Lev.	Parts No.	Description	Q'ty						I	R
				(A)	(B)	(C)	(D)	(E)	(F)		
1	1	172B04-76220	TUBE ASSY,ARM	2	2						
2	1	172B04-76250	TUBE ASSY,BUCKET	2	2						
3	1	172B03-76400	RUBBER, CLAMP	2	2						
4	1	172B03-76410	RUBBER, CLAMP B	2	2						
5	1	172B04-76420	RUBBER,CLAMP C	2	2						
6	1	172B03-76440	CLAMP, TUBE	1	1						
7	1	172B03-76450	CLAMP, TUBE	2	2						
8	1	172B03-76470	CLAMP ASSY, BOOM	1	1						
9	1	26014-100252	BOLT, M10X 25	5	5						
10	1	26014-100302	BOLT, M10X 30	1	1						
11	1	172A47-76460	COLLAR	1	1						
12	1	172B04-78400	HOSE, H108BB078K	1	1						
13	1	172B04-78420	HOSE, H108BB138K	1	1						
14	1	172B04-78430	HOSE, H108BB103K	1	1						
15	1	172B03-79861	RUBBER,HOSE CLAMP	1	1						
16	1	172B03-79861	RUBBER,HOSE CLAMP	1	1						
17	1	172B03-79871	CLAMP,HOSE	1	1						
18	1	172B03-79871	CLAMP,HOSE	1	1						
19	1	26013-100162	BOLT, M10X 16	1	1						
20	1	26013-100452	BOLT, M10X 45	1	1						
21	1	172B04-78410	HOSE, H108BB143K	1	1						
22	1	172B03-79861	RUBBER,HOSE CLAMP	1	1						
23	1	172B03-79871	CLAMP,HOSE	1	1						
24	1	26013-100162	BOLT, M10X 16	1	1						

Fig.137. P.T.O.(CONTROL VALVE - BOOM)



(A)=VIO50-6B P(BR)
 (B)=VIO50-6B C(BR)
 (C)=

(D)=
 (E)=
 (F)=

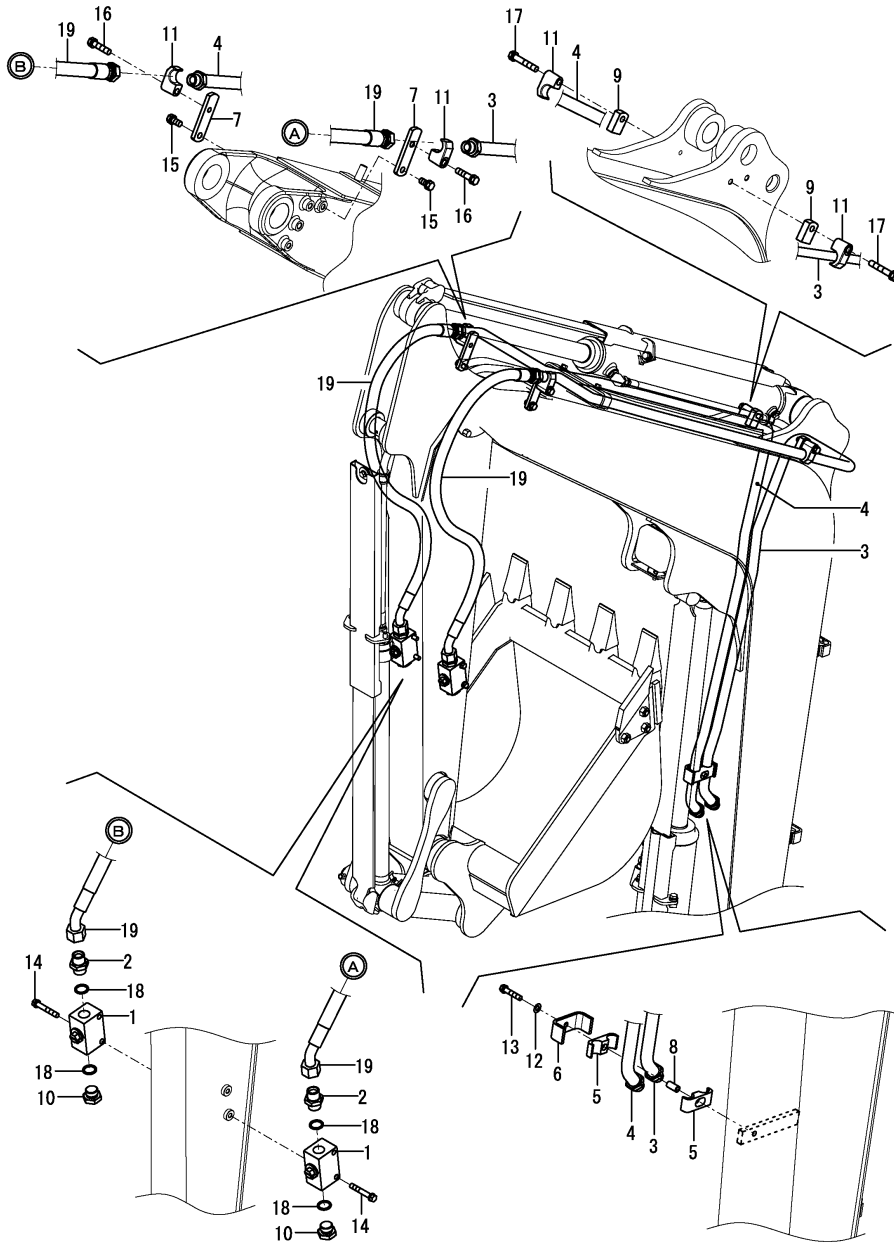
No.	Lev.	Parts No.	Description	Q'ty						I	R
				(A)	(B)	(C)	(D)	(E)	(F)		
1	1	172A47-74121	VALVE ASSY, SELECOR	1	1						
2	2	22242-000210	RING, 21	1	1						
3	2	22242-000250	RING, 25	1	1						
4	2	24315-000210	O-RING, 1BP21.0	1	1						
5	2	24315-000250	O-RING, 1BP25.0	1	1						
6	1	26013-100552	BOLT, M10X 55	2	2						
7	1	172141-76090	CONNECTOR, PF3/4L	2	2						
9	2	24315-000240	O-RING, 1BP24.0	2	2						
10	1	172B03-76110	CONNECTOR, G1/2X3/8	1	1						
11	2	41851-000140	O-RING	1	1						
12	1	172B03-76160	CONNECTOR, G1/2X3/8M	1	1						
13	2	41851-000140	O-RING	1	1						
14	1	172165-76220	NIPPLE	1	1						
15	1	172534-76760	ELBOW	1	1						
16	1	172B04-79110	HOSE, G110BC237K	1	1						
17	1	172B04-79121	HOSE, H108CC048S	1	1						
18	1	172B04-79130	HOSE, G112BB269K	1	1						
19	1	172B04-79140	HOSE, G612EY069S	1	1						
20	1	23001-035000	CLAMP, HOSE 35	2	2						
21	1	172458-46720	BOLT	2	2						
22	1	172B04-77600	GUIDE ASSY,PTO	1	1						
23	1	172B04-77650	CLAMP ASSY,HOSE PTO	1	1						
24	1	172B04-77851	CLAMP, PTO	1	1						
25	1	172455-79140	COLLAR, CLAMP	1	1						
26	1	172455-79180	RUBBER, CLAMP	2	2						
27	1	22137-100000	WASHER, 10	1	1						
28	1	26013-100652	BOLT, M10X 65	1	1						
29	1	26014-100202	BOLT, M10X 20	2	2						

Remarks

* Fitting(turning motor) is shown in Fig.128.

N:Old $\begin{matrix} \leftarrow \text{Yes} \\ \text{No} \end{matrix}$ New, Q:Old $\begin{matrix} \leftarrow \text{No} \\ \text{Yes} \end{matrix}$ New, R:Old $\begin{matrix} \leftarrow \text{Yes} \\ \text{Yes} \end{matrix}$ New, S:Old $\begin{matrix} \leftarrow \text{No} \\ \text{No} \end{matrix}$ New, W:Add, Z:Discontinued, F:Interchangeable by set, K:Q'ty Change

Fig.138. P.T.O.(BOOM - ARM END)



(A)=VIO50-6B P(BR)
 (B)=VIO50-6B C(BR)
 (C)=

(D)=
 (E)=
 (F)=

No.	Lev.	Parts No.	Description	Q'ty						I	R
				(A)	(B)	(C)	(D)	(E)	(F)		
1	1	172B04-74900	VALVE ASSY,STOP G3/4	2	2						
2	1	172142-76240	JOINT	2	2						
3	1	172B04-76350	TUBE ASSY,PTO L	1	1						
4	1	172B04-76370	TUBE ASSY,PTO R	1	1						
5	1	172A69-76410	CLAMP, RUBBER	2	2						
6	1	172A69-76440-Y	CLAMP, TUBE	1	1						
7	1	172B03-76511	STAY, CLAMP PTO	2	2						
8	1	172187-76520	COLLAR, CLAMP	1	1						
9	1	172187-76690-Y	PLATE	2	2						
10	1	172162-76850	PLUG PF3/4	2	2						
11	1	172142-76941	CLAMP,3/4	4	4						
12	1	22137-100000	WASHER, 10	1	1						
13	1	26013-100502	BOLT, M10X 50	1	1						
14	1	26013-100652	BOLT, M10X 65	4	4						
15	1	26013-120252	BOLT, M12X 25	2	2						
16	1	26014-120552	BOLT, M12X 55	2	2						
17	1	26014-120752	BOLT, 12 X 75	2	2						
18	1	41851-000240	O-RING	4	4						
19	1	172B04-79170	HOSE, H112BE122W	2	2						

Remarks

(1)Refer to Fig.156 when installing a device with the cap diameter R(PT)1/2.

N:Old $\begin{matrix} \text{Yes} \\ \text{No} \end{matrix}$ New, Q:Old $\begin{matrix} \text{No} \\ \text{Yes} \end{matrix}$ New, R:Old $\begin{matrix} \text{Yes} \\ \text{No} \end{matrix}$ New, S:Old $\begin{matrix} \text{No} \\ \text{Yes} \end{matrix}$ New, W:Add, Z:Discontinued, F:Interchangeable by set, K:Q'ty Change

Fig.139. P.T.O.(SOLENOID VALVE)

(A)=VIO50-6B P(BR)
 (B)=VIO50-6B C(BR)
 (C)=

(D)=
 (E)=
 (F)=

No.	Lev.	Parts No.	Description	Q'ty						I	R
				(A)	(B)	(C)	(D)	(E)	(F)		
1	1	172B03-76010	ELBOW	2	2						
2	2	41851-000110	O-RING	2	2						
3	1	172123-76121	ADAPTER	2	2						
4	1	172458-76150	NIPPLE, ELBOW	1	1						
5	2	24315-000110	O-RING, 1BP11.0	1	1						
6	1	172B03-76180	CONNECTOR,FILT G1/4	1	1						
7	2	41851-000110	O-RING	1	1						
8	1	172186-76390	NIPPLE, ELBOW	1	1						
9	1	41851-000110	O-RING	2	2						
10	1	172B03-79211	HOSE, H603BB029S	1	1						
11	1	172B03-79230	HOSE, F403BC041S	1	1						
12	1	172B03-79241	HOSE, F403BC050S	1	1						
13	1	172B04-79250	HOSE, G804YY155S	1	1						
14	1	23000-013000	CLAMP, 13	2	2						

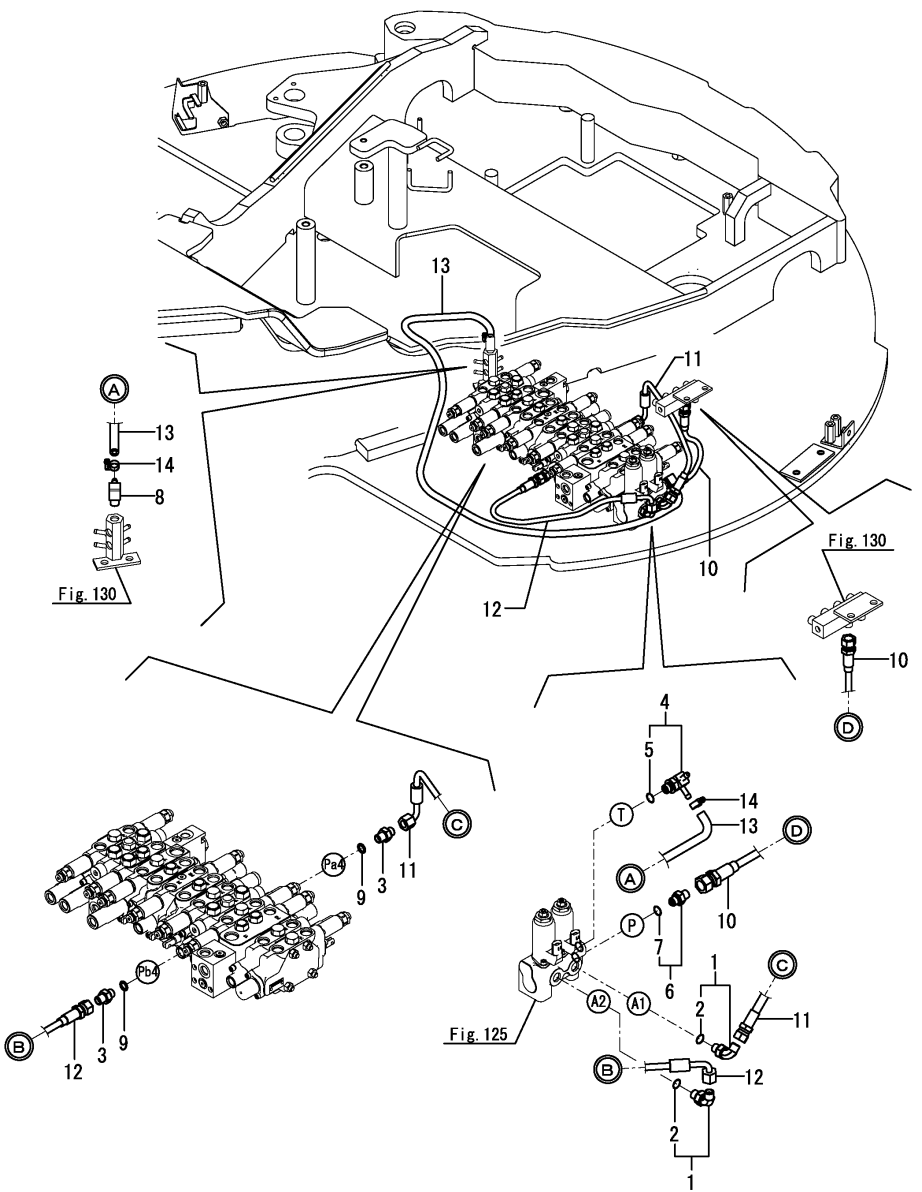
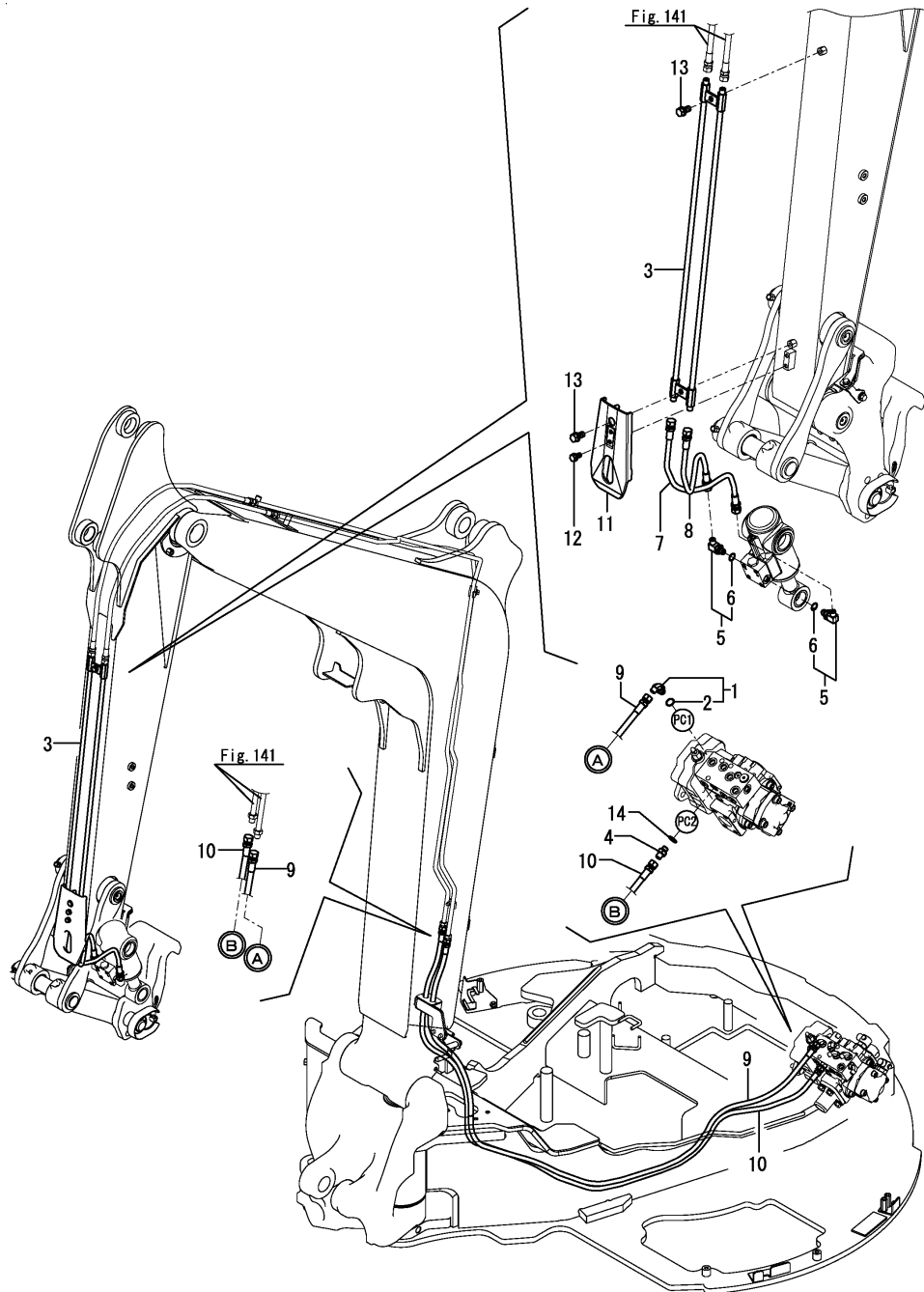


Fig.140. QUICK COUPLER(1)

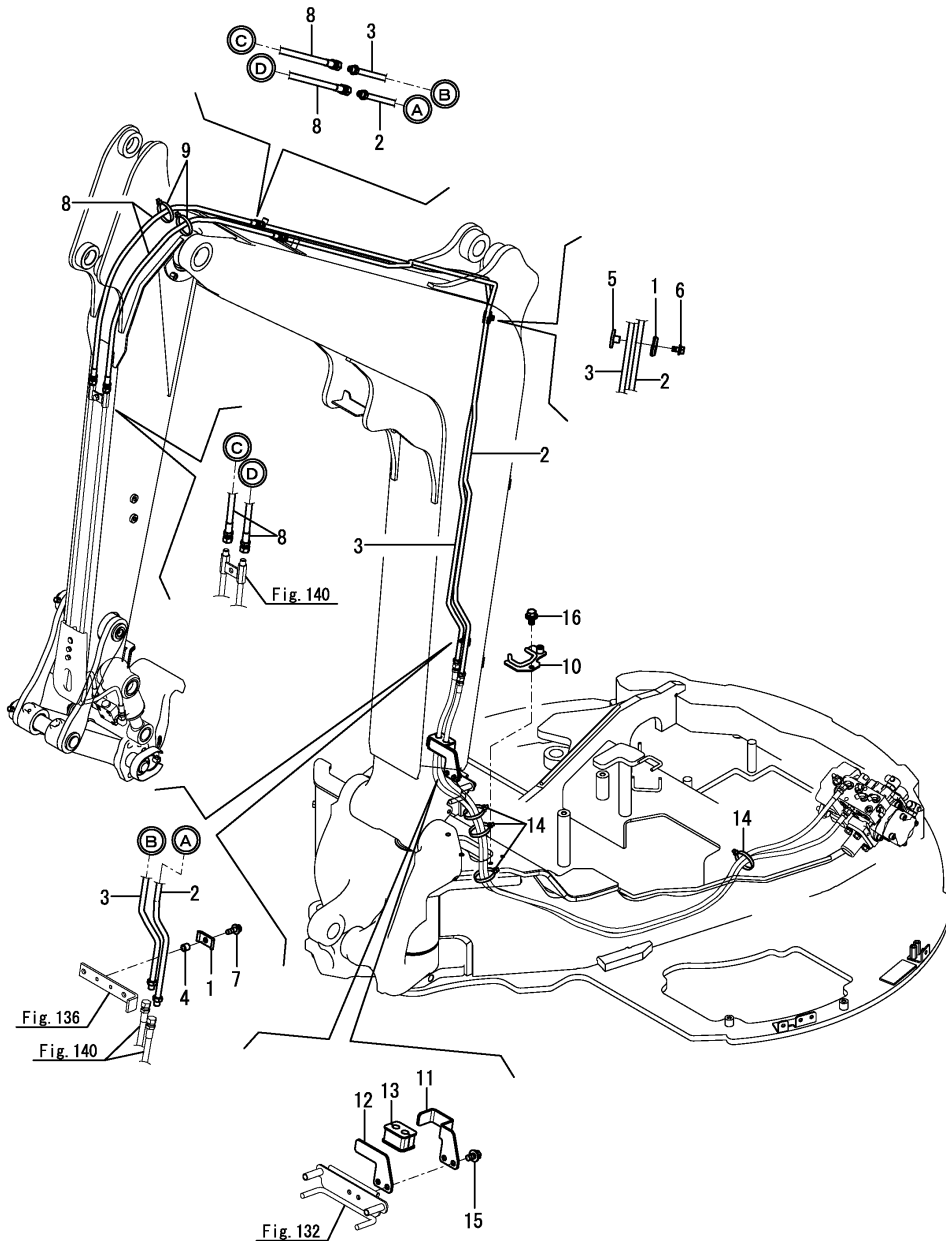


(A)=VIO50-6B P(BR)
 (B)=VIO50-6B C(BR)
 (C)=

(D)=
 (E)=
 (F)=

No.	Lev.	Parts No.	Description	Q'ty						I	R
				(A)	(B)	(C)	(D)	(E)	(F)		
1	1	172B03-76010	ELBOW	1	1						
2	2	41851-000110	O-RING	1	1						
3	1	172960-76100-Y	TUBE, HITCH	1	1						
4	1	172123-76121	ADAPTER	1	1						
5	1	172958-76130	ELBOW, PF-1/4-PF1/4	2	2						
6	2	24315-000110	O-RING, 1BP11.0	2	2						
7	1	172958-78120	HOSE	1	1						
8	1	172958-78160	HOSE	1	1						
9	1	172B04-79011	HOSE, H604BB261K	1	1						
10	1	172B04-79021	HOSE, H604BB268K	1	1						
11	1	172Q04-81950-Y	COVER,ARM	1	1						
12	1	26013-080162	BOLT, M8X 16	2	2						
13	1	26013-100202	BOLT, M10X 20	2	2						
14	1	41851-000110	O-RING	1	1						

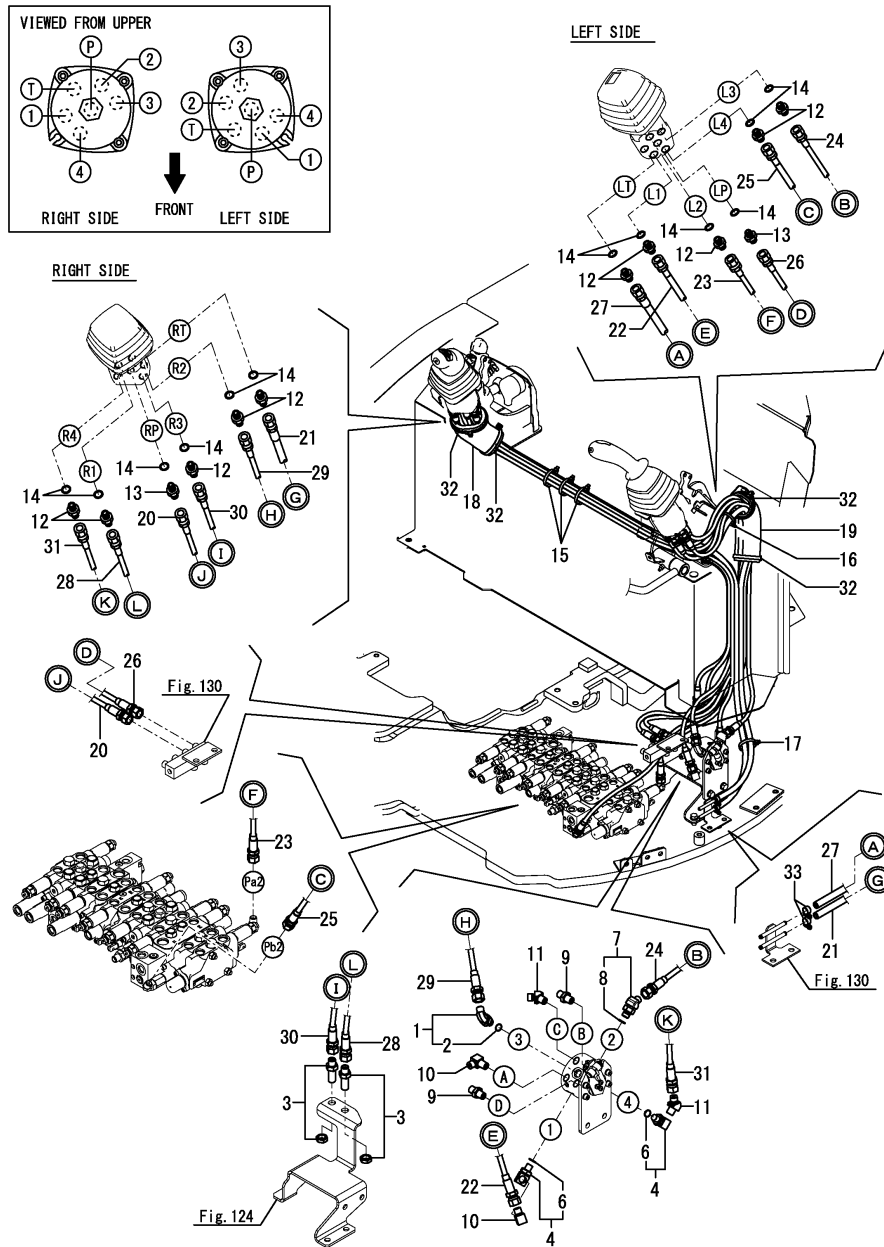
Fig.141. QUICK COUPLER(2)



(A)=VIO50-6B P(BR)
 (B)=VIO50-6B C(BR)
 (C)=

(D)=
 (E)=
 (F)=

No.	Lev.	Parts No.	Description	Q'ty						I	R
				(A)	(B)	(C)	(D)	(E)	(F)		
1	1	172110-76170	PLATE	2	2						
2	1	172B04-76550	TUBE ASSY,L QH	1	1						
3	1	172B04-76570	TUBE ASSY,R QH	1	1						
4	1	172137-76580	COLLAR	1	1						
5	1	172B04-77400	CLAMP ASSY,TUBE	1	1						
6	1	26014-080162	BOLT, M8X 16	1	1						
7	1	26014-080252	BOLT, M8X 25	1	1						
8	1	172B04-79030	HOSE, H604BB104K	2	2						
9	1	172122-79890	CLAMP, HOSE	2	2						
10	1	172B04-77700	GUIDE ASSY,Q-K	1	1						
11	1	172B04-79650	PLATE,CLAMP A	1	1						
12	1	172B04-79660	PLATE,CLAMP B	1	1						
13	1	172B04-79680	RUBBER, CLAMP Q	1	1						
14	1	172122-79890	CLAMP, HOSE	4	4						
15	1	26014-100202	BOLT, M10X 20	2	2						
16	1	26014-100202	BOLT, M10X 20	1	1						



(A)=VIO50-6B P(BR)
 (B)=VIO50-6B C(BR)
 (C)=

(D)=
 (E)=
 (F)=

No.	Lev.	Parts No.	Description	Q'ty						I	R
				(A)	(B)	(C)	(D)	(E)	(F)		
1	1	172B03-76010	ELBOW	1	1						
2	2	41851-000110	O-RING	1	1						
3	1	172151-76050	JOINT	2	2						
4	1	172137-76100	ELBOW	2	2						
6	2	24315-000110	O-RING, 1BP11.0	2	2						
7	1	172173-76102	CONNECTOR ASSY	1	1						
8	2	41851-000110	O-RING	1	1						
9	1	23391-020000	JOINT, RGI-1/4	2	2						
10	1	23393-020000	JOINT, 90RGI-1/4	2	2						
11	1	23394-020000	JOINT, 45RGI-1/4	2	2						
12	1	172123-76121	ADAPTER	10	10						
13	1	172455-76220	CONNECTOR, PF1/4	2	2						
14	1	41851-000110	O-RING	12	12						
15	1	172126-11510	BAND	3	3						
16	1	172126-11510	BAND	1	1						
17	1	172183-16560	CLIP, HOSE	1	1						
18	1	172458-63641	SPONGE, HOSE	1	1						
19	1	172458-78571	SPONGE, HOSE	1	1						
20	1	172B03-78910	HOSE, F403BB165S	1	1						
21	1	172B03-78920	HOSE, G804BY165S	1	1						
22	1	172B03-79610	HOSE, F403BB110S	1	1						
23	1	172B03-79620	HOSE, F403BB113S	1	1						
24	1	172B03-79630	HOSE, F403BB095S	1	1						
25	1	172B03-79640	HOSE, F403BB138S	1	1						
26	1	172B03-79650	HOSE, F403BB110S	1	1						
27	1	172B03-79660	HOSE, G804BY115S	1	1						
28	1	172B03-79670	HOSE, F403BB140S	1	1						
29	1	172B03-79680	HOSE, F403BB148S	1	1						
30	1	172B03-79690	HOSE, F403BB136S	1	1						
31	1	172B03-79700	HOSE, F403BB148S	1	1						
32	1	172122-79930	CLAMP, HOSE	4	4						
33	1	23000-013000	CLAMP, 13	2	2						

Remarks

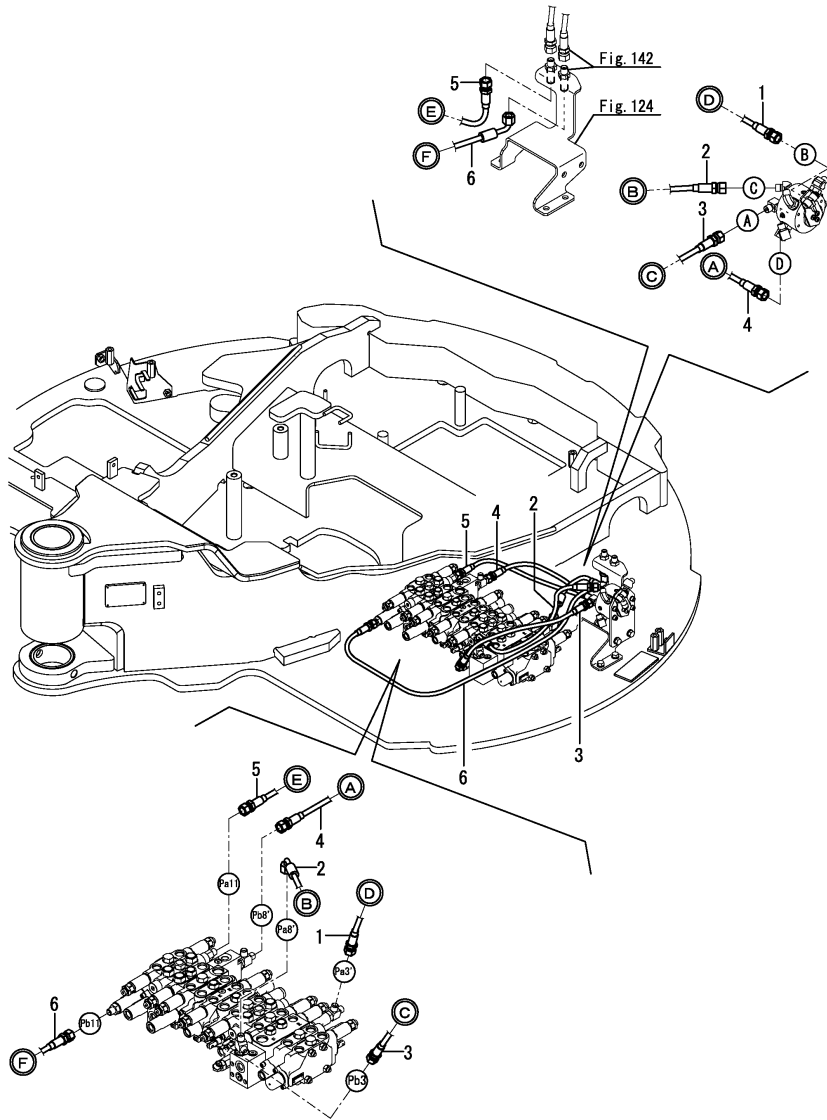
* Fitting(control valve) is shown in Fig.130.

Fig.143. CONTROL PIPING(2)

(A)=VIO50-6B P(BR)
 (B)=VIO50-6B C(BR)
 (C)=

(D)=
 (E)=
 (F)=

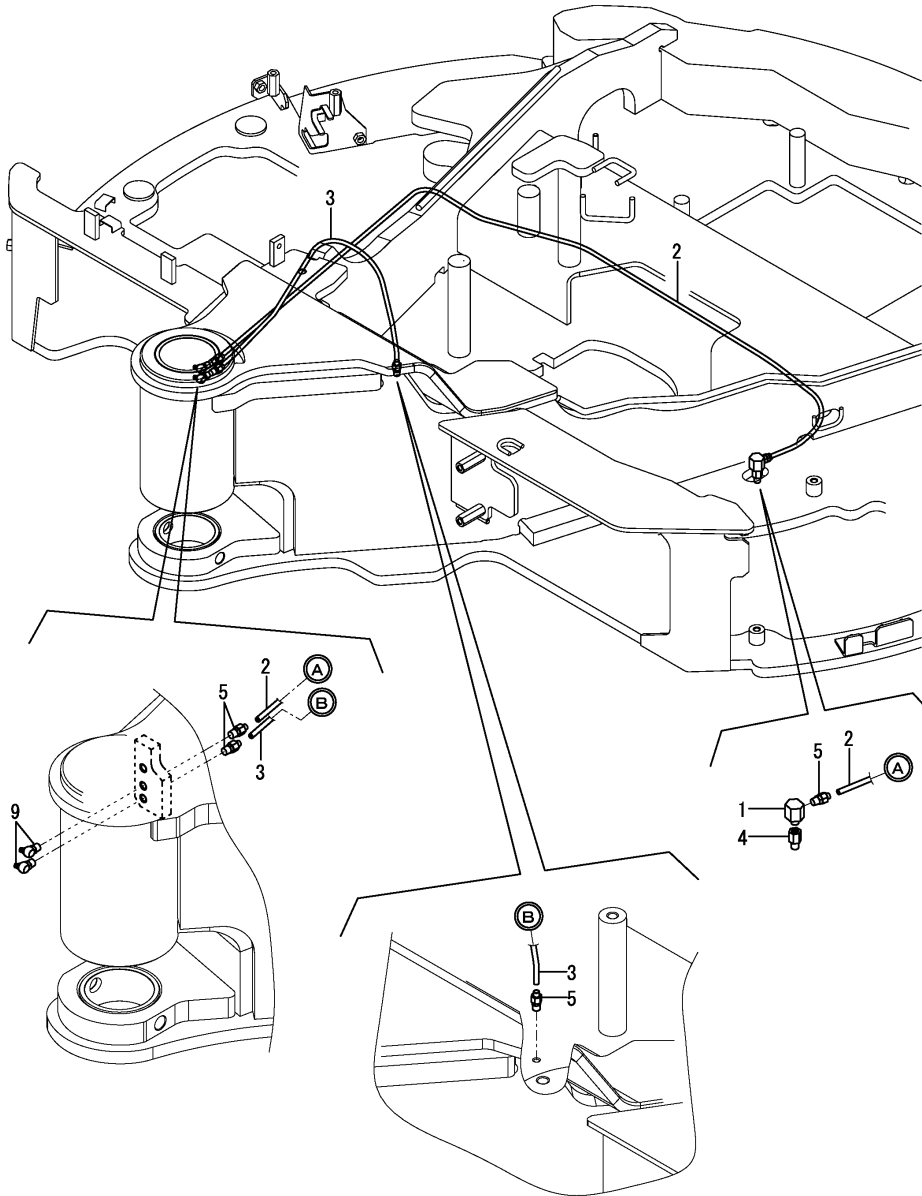
No.	Lev.	Parts No.	Description	Q'ty						I	R
				(A)	(B)	(C)	(D)	(E)	(F)		
1	1	172B03-79510	HOSE, F403BC023	1	1						
2	1	172B03-79520	HOSE, F403BC045S	1	1						
3	1	172B03-79530	HOSE, F403BB047S	1	1						
4	1	172B03-79540	HOSE, F403BB047S	1	1						
5	1	172B03-79550	HOSE, F403BB050S	1	1						
6	1	172B03-79560	HOSE, F403BC111S	1	1						



Remarks

* Fitting(control valve) is shown in Fig.130.

Fig.144. GREASING



(A)=VIO50-6B P(BR)
 (B)=VIO50-6B C(BR)
 (C)=

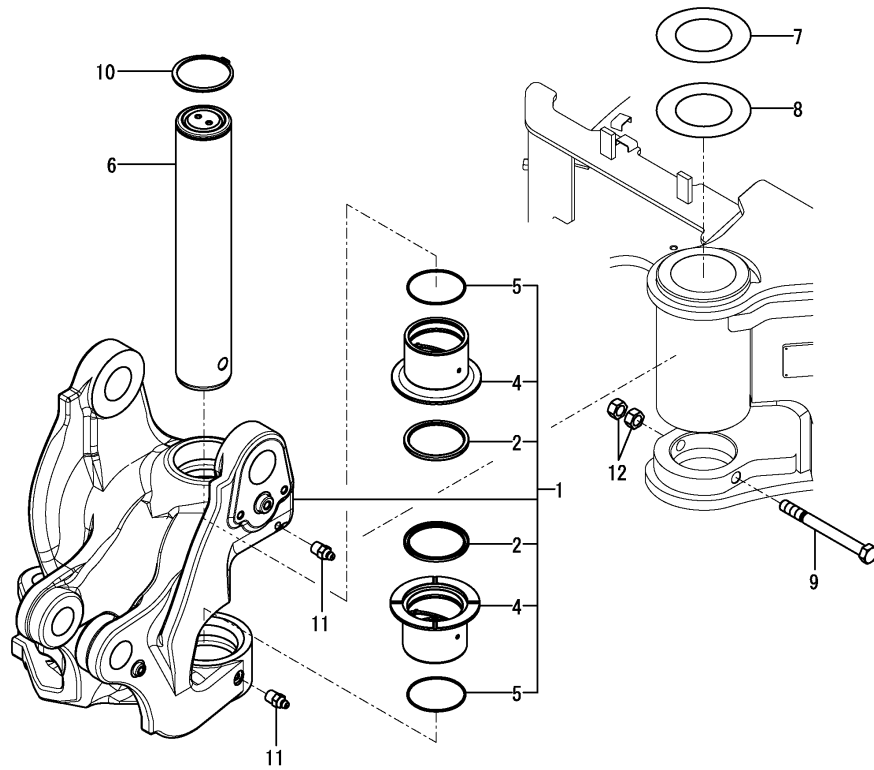
(D)=
 (E)=
 (F)=

No.	Lev.	Parts No.	Description	Q'ty						I	R
				(A)	(B)	(C)	(D)	(E)	(F)		
1	1	172112-77480	ELBOW	1	1						
2	1	172B04-77800	HOSE, P602YY150	1	1						
3	1	172B04-77810	HOSE, P602YY061	1	1						
4	1	172312-77820	FITTING, GREASE	1	1						
5	1	172A47-77820	JOINT, GREASE	4	4						
9	1	24761-040000	NIPPLE, GREASE B	2	2						

Fig.145. BOOM BRACKET

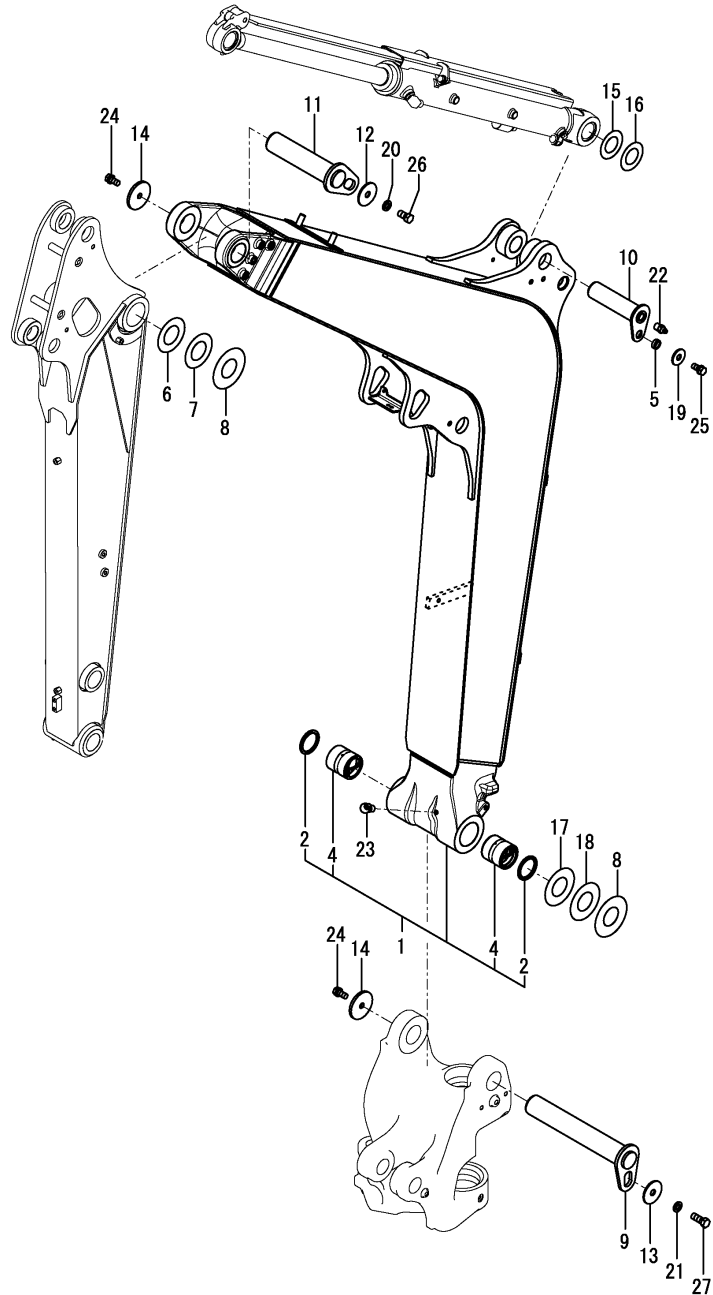
(A)=VIO50-6B P(BR)
 (B)=VIO50-6B C(BR)
 (C)=

(D)=
 (E)=
 (F)=



No.	Lev.	Parts No.	Description	Q'ty						I	R
				(A)	(B)	(C)	(D)	(E)	(F)		
1	1	172B04-82300	BRACKET ASSY, BOOM	1	1						
2	2	172455-81380	SEAL, DUST 90X105X6	2	2						
4	2	172B04-82320	BUSH, 105X90	2	2						
5	2	24321-000900	O-RING, 1AG90.0	2	2						
6	1	172B04-82350	PIN ASSY, 90X507	1	1						
7	1	172B04-82380	SHIM, 90X150X0.5	1	1						
8	1	172B04-82390	SHIM,90X150X0.8	1	1						
9	1	172455-83480	BOLT 18X190	1	1						
10	1	22242-000900	RING, 90	1	1						
11	1	24761-020000	NIPPLE, GREASE PT1/8	2	2						
12	1	26716-180002	NUT, M18	2	2						

Fig.146. BOOM

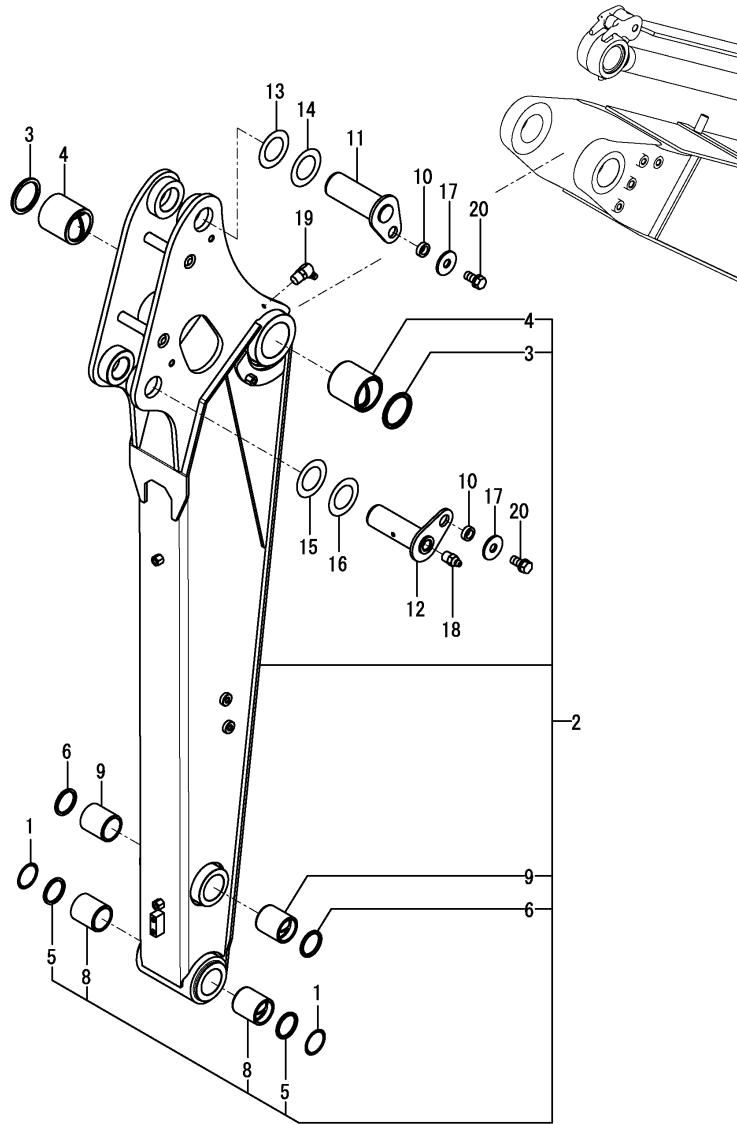


(A)=VIO50-6B P(BR)
 (B)=VIO50-6B C(BR)
 (C)=

(D)=
 (E)=
 (F)=

No.	Lev.	Parts No.	Description	Q'ty						I	R
				(A)	(B)	(C)	(D)	(E)	(F)		
1	1	172B04-81100	BOOM ASSY	1	1						
2	2	172020-10620	SEAL, DUST 60X75X5	2	2						
4	2	172460-81400	BUSH, 60X75	2	2						
5	1	172164-81670	SPACER	1	1						
6	1	172175-81700	SHIM, 60X110X0.8	1	1						
7	1	172175-81710	SHIM, 60X110X0.5	1	1						
8	1	172460-81800	SHIM	2	2						
9	1	172B04-81800	PIN ASSY, 60X385	1	1						
10	1	172B04-81840	PIN ASSY, 50X189	1	1						
11	1	172A47-81921	PIN ASSY, 60X255	1	1						
12	1	172187-81970	WASHER	1	1						
13	1	172187-81970	WASHER	1	1						
14	1	172147-82140	WASHER	2	2						
15	1	172165-82520	SHIM, 50X90X0.5	1	1						
16	1	172165-82530	SHIM, 50X90X1.2	1	1						
17	1	172162-83560	SHIM	1	1						
18	1	172162-83570	SHIM, 60X120X1.2	1	1						
19	1	22157-120000	WASHER, 12	1	1						
20	1	22217-140000	WASHER, SPRING 14	1	1						
21	1	22217-140000	WASHER, SPRING 14	1	1						
22	1	24761-020000	NIPPLE, GREASE PT1/8	1	1						
23	1	24761-040000	NIPPLE, GREASE B	1	1						
24	1	26013-120252	BOLT, M12X 25	2	2						
25	1	26013-120252	BOLT, M12X 25	1	1						
26	1	26116-140252	BOLT, M14X 25 PLATED	1	1						
27	1	26116-140352	BOLT, M14X 35 PLATED	1	1						

Fig.147. ARM



(A)=VIO50-6B P(BR)
 (B)=VIO50-6B C(BR)
 (C)=

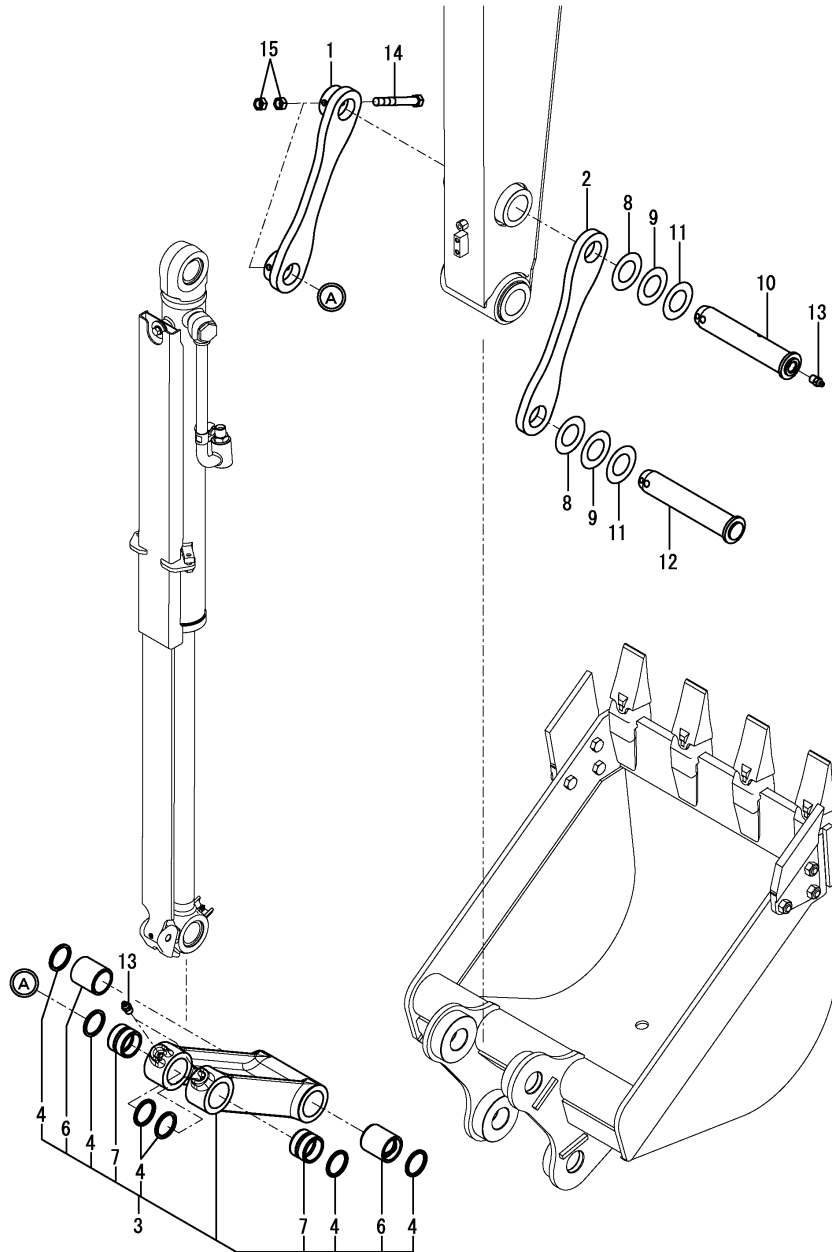
(D)=
 (E)=
 (F)=

No.	Lev.	Parts No.	Description	Q'ty						I	R
				(A)	(B)	(C)	(D)	(E)	(F)		
1	1	172125-81280	O-RING	2	2						
2	1	172B04-81500	ARM ASSY, 1450	1	1						
3	2	172020-10620	SEAL, DUST 60X75X5	2	2						
4	2	172445-81360	BUSH, 60X75	2	2						
5	2	172168-81410	SEAL, DUST 45X55X4	2	2						
6	2	172168-81410	SEAL, DUST 45X55X4	2	2						
8	2	172112-83500	BUSH, 45X55X60 A	2	2						
9	2	172112-83500	BUSH, 45X55X60 A	2	2						
10	1	172164-81670	SPACER	2	2						
11	1	172B04-81870	PIN ASSY, 50X135	1	1						
12	1	172B04-81920	PIN ASSY, 45X135	1	1						
13	1	172165-82520	SHIM, 50X90X0.5	1	1						
14	1	172165-82530	SHIM, 50X90X1.2	1	1						
15	1	172165-82550	SHIM, 45X80X0.5	1	1						
16	1	172165-82560	SHIM, 45X80X1.2	1	1						
17	1	22157-120000	WASHER, 12	2	2						
18	1	24761-020000	NIPPLE, GREASE PT1/8	1	1						
19	1	24761-040000	NIPPLE, GREASE B	1	1						
20	1	26013-120252	BOLT, M12X 25	2	2						

Fig.148. BUCKET ARM & LINK

(A)=VIO50-6B P(BR)
 (B)=VIO50-6B C(BR)
 (C)=

(D)=
 (E)=
 (F)=

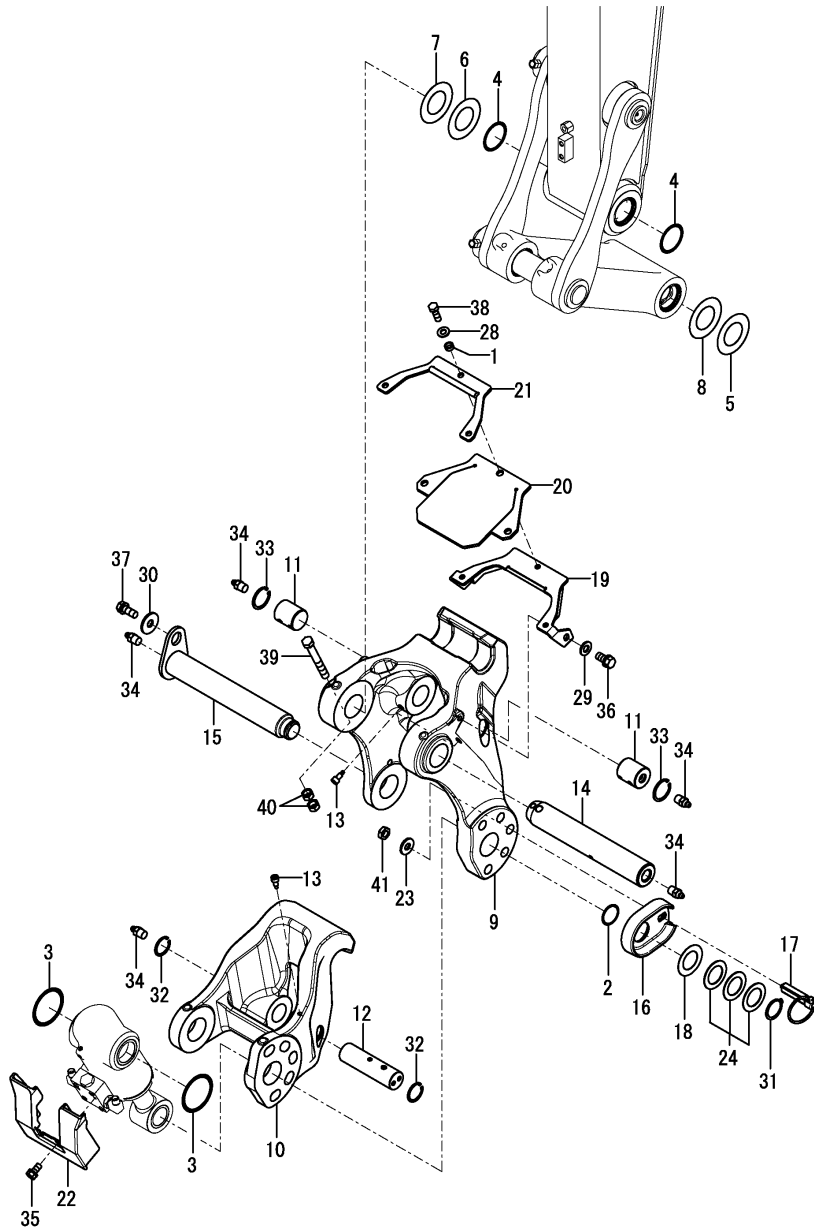


No.	Lev.	Parts No.	Description	Q'ty						I	R
				(A)	(B)	(C)	(D)	(E)	(F)		
1	1	172460-82350-Y	ARM, BUCKET	1	1						
2	1	172460-82360-Y	ARM, BUCKET	1	1						
3	1	172460-82380-Y	LINK, BUCKET	1	1						
4	2	172168-81410	SEAL, DUST 45X55X4	6	6						
6	2	172112-83500	BUSH, 45X55X60 A	2	2						
7	2	172112-86250	BUSH, PIN 45X39	2	2						
8	1	172165-82550	SHIM, 45X80X0.5	2	2						
9	1	172165-82560	SHIM, 45X80X1.2	2	2						
10	1	172460-82561	PIN ASSY, 45X217 A	1	1						
11	1	172165-82570	SHIM, 45X80X1.6	2	2						
12	1	172460-82591	PIN ASSY, 45X217B	1	1						
13	1	24761-020000	NIPPLE, GREASE PT1/8	3	3						
14	1	26116-100802	BOLT, M10X 80 PLATED	2	2						
15	1	26716-100002	NUT, M10	4	4						

Fig.149. QUICK COUPLER

(A)=VIO50-6B P(BR)
 (B)=VIO50-6B C(BR)
 (C)=

(D)=
 (E)=
 (F)=

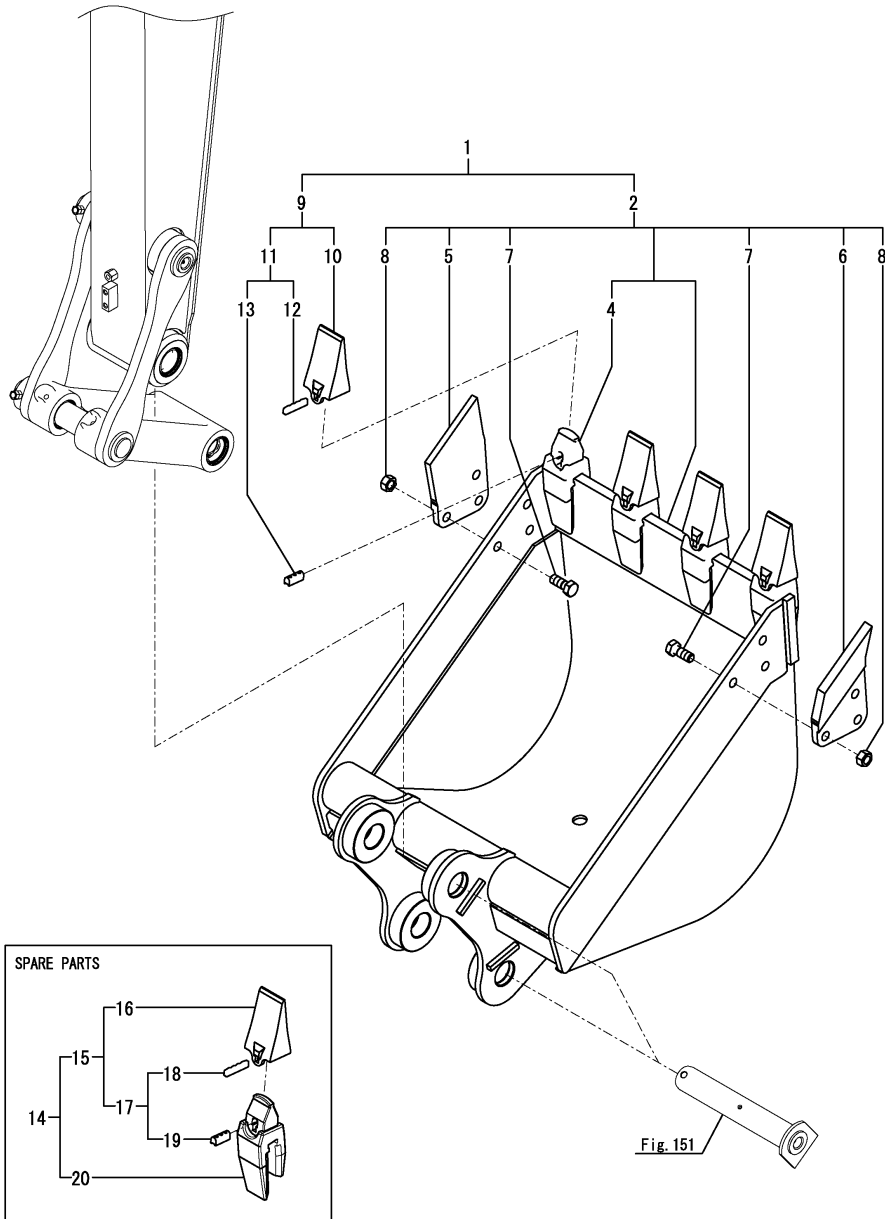


No.	Lev.	Parts No.	Description	Q'ty						I	R
				(A)	(B)	(C)	(D)	(E)	(F)		
1	1	172958-17121	COLLAR, 9X4	3	3						
2	1	172124-46200	O-RING	1	1						
3	1	172171-81270	O-RING, 61X6.0	2	2						
4	1	172125-81280	O-RING	2	2						
5	1	172165-82550	SHIM, 45X80X0.5	1	1						
6	1	172165-82550	SHIM, 45X80X0.5	1	1						
7	1	172165-82560	SHIM, 45X80X1.2	1	1						
8	1	172165-82560	SHIM, 45X80X1.2	1	1						
9	1	172960-83102-Y	BRACKET,A	1	1						
10	1	172960-83113-Y	BRACKET,B	1	1						
11	1	172960-83121	PIN, 40X45.5	2	2						
12	1	172960-83131	PIN, 35X166	1	1						
13	1	172958-83140	BOLT	3	3						
14	1	172960-83141	PIN, 45X261	1	1						
15	1	172960-83152	PIN ASSY, 45X299	1	1						
16	1	172958-83171-Y	PLATE, LOCK	1	1						
17	1	172960-83192	PIN ASSY, LOCK	1	1						
18	1	172960-83210	COLLAR	1	1						
19	1	172960-83252-Y	GUARD ASSY	1	1						
20	1	172960-83282	PLATE, RUBBER	1	1						
21	1	172960-83292-Y	PLATE ASSY	1	1						
22	1	172960-83312-Y	COVER ASSY	1	1						
23	1	172958-83330	WASHER	1	1						
24	1	172141-84601	SHIM	1	1						
28	1	22137-080000	WASHER, 8	3	3						
29	1	22137-100000	WASHER, 10	2	2						
30	1	22157-120000	WASHER, 12	1	1						
31	1	22242-000350	RING, 35	1	1						
32	1	22252-000350	RING, 35	2	2						
33	1	22252-000400	RING, 40	2	2						
34	1	24761-020000	NIPPLE, GREASE PT1/8	5	5						
35	1	26013-080162	BOLT, M8X 16	2	2						
36	1	26013-100202	BOLT, M10X 20	2	2						
37	1	26013-120302	BOLT, M12X 30	1	1						
38	1	26116-080252	BOLT, M8X 25 PLATED	3	3						
39	1	26116-100802	BOLT, M10X 80 PLATED	1	1						
40	1	26716-100002	NUT, M10	2	2						
41	1	26756-060002	NUT, LOCK M6	1	1						

Fig.150. BUCKET

(A)=VIO50-6B P(BR)
 (B)=VIO50-6B C(BR)
 (C)=

(D)=
 (E)=
 (F)=



No.	Lev.	Parts No.	Description	Q'ty						I	R
				(A)	(B)	(C)	(D)	(E)	(F)		
1	1	172B04-82100	BUCKET ASSY, 650S	1	1						
2	2	172B04-82110	BUCKET ASSY, 650S	1	1						
4	4	172151-81611-W	ADAPTER	4	4						
5	3	172B04-82210	CUTTER, SIDE R	1	1						
6	3	172B04-82240	CUTTER, SIDE L	1	1						
7	3	172B04-82250	BOLT, M16X40 1.5	6	6						
8	3	172B04-82260	NUT, M16X1.5	6	6						
9	2	172448-82950	TOOTH KIT, POINT	4	4						
10	3	172448-82570	TEETH, POINT 18S	4	4						
11	3	172448-82960	PIN ASSY, LOCK	4	4						
12	4	172448-82580	PIN, LOCK	4	4						
13	4	172448-82590	RUBBER, PIN	4	4						
14	1	772151-81611-W	TOOTH ASSY	4	4						1
15	2	172448-82950	TOOTH KIT, POINT	4	4						1
16	3	172448-82570	TEETH, POINT 18S	4	4						1
17	3	172448-82960	PIN ASSY, LOCK	4	4						1
18	4	172448-82580	PIN, LOCK	4	4						1
19	4	172448-82590	RUBBER, PIN	4	4						1
20	2	172151-81611-W	ADAPTER	4	4						1

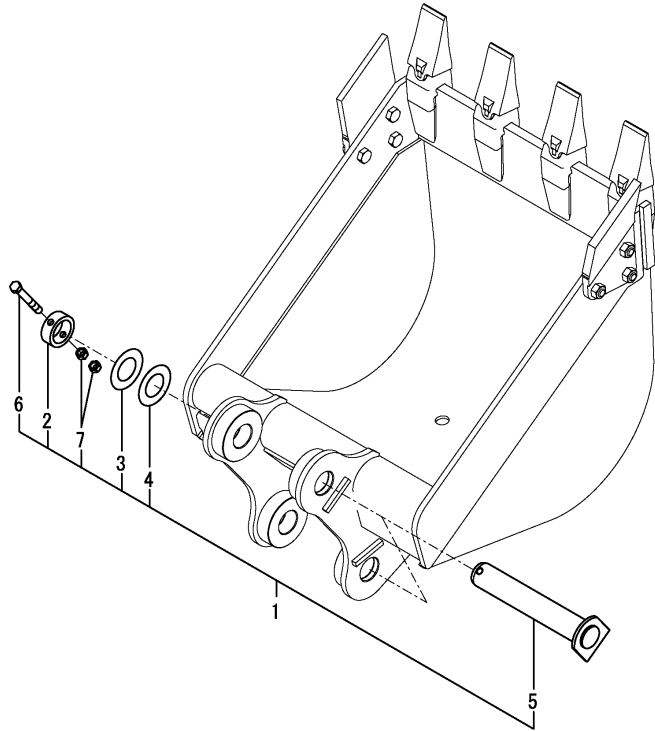
Remarks

(1) Spare parts.

Fig.151. BUCKET PIN

(A)=VIO50-6B P(BR)
 (B)=VIO50-6B C(BR)
 (C)=

(D)=
 (E)=
 (F)=

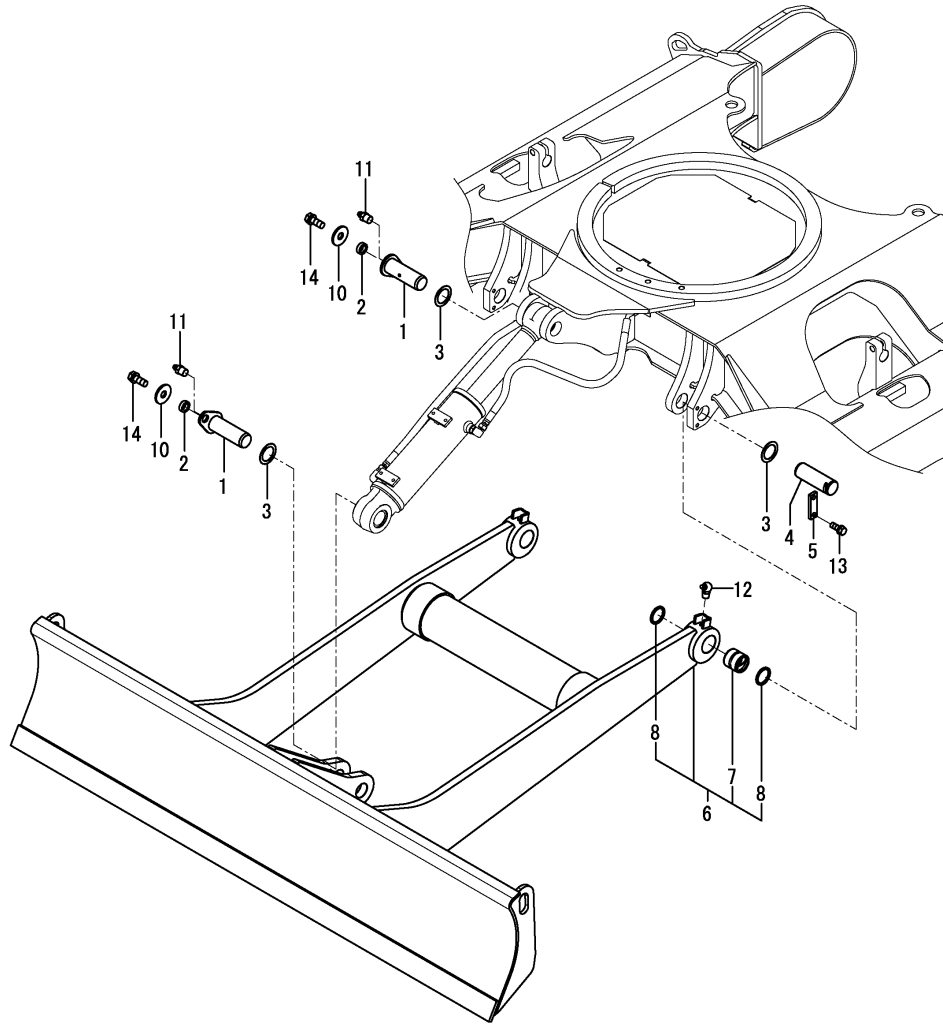


No.	Lev.	Parts No.	Description	Q'ty						I	R
				(A)	(B)	(C)	(D)	(E)	(F)		
1	1	172960-81600	BUCKET PIN KIT Q	2	2						
2	2	172176-81640	COLLAR	2	2						
3	2	172165-82550	SHIM, 45X80X0.5	1	1						
4	2	172165-82560	SHIM, 45X80X1.2	1	1						
5	2	172960-83170	PIN 45X271Q	2	2						
6	2	26116-100752	BOLT, M10X 75 PLATED	2	2						
7	2	26716-100002	NUT, M10	4	4						

Fig.153. BLADE

(A)=VIO50-6B P(BR)
 (B)=VIO50-6B C(BR)
 (C)=

(D)=
 (E)=
 (F)=

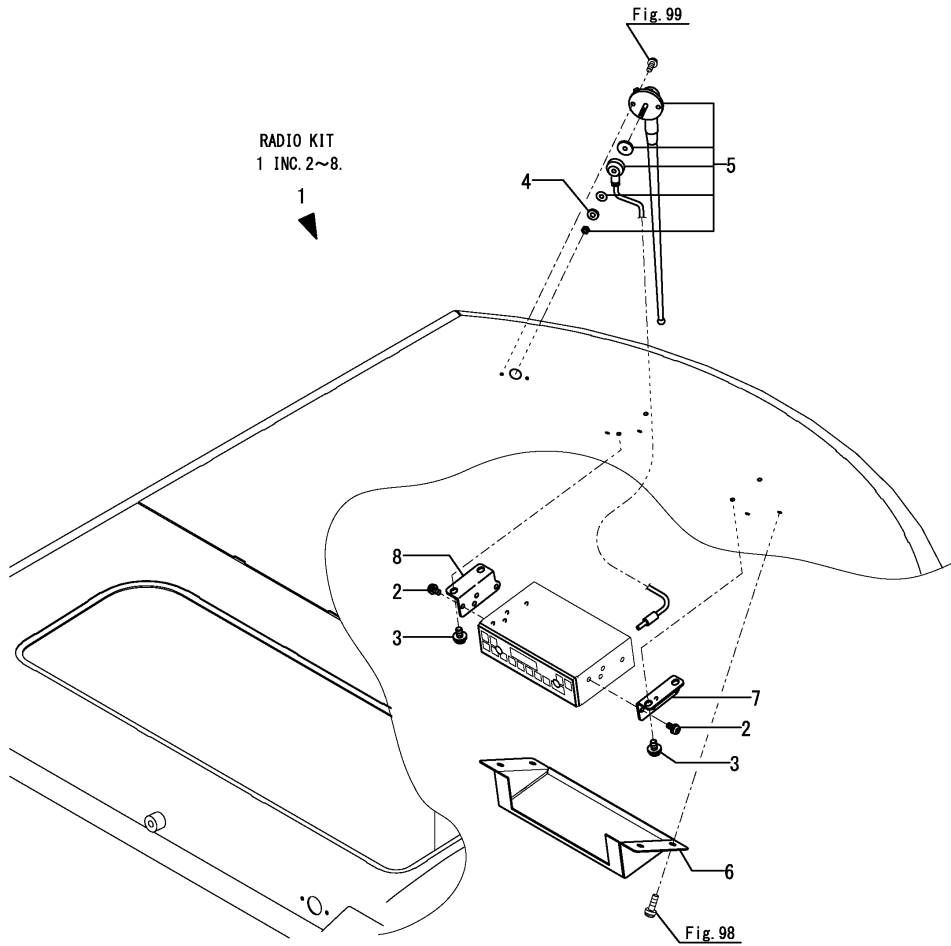


No.	Lev.	Parts No.	Description	Q'ty						I	R
				(A)	(B)	(C)	(D)	(E)	(F)		
1	1	172B04-81650	PIN ASSY, 45X132	2	2						
2	1	172164-81670	SPACER	2	2						
3	1	172112-87840	SHIM, PIN 45X1	4	4						
4	1	172423-94211	PIN, 45X120	2	2						
5	1	172124-94310-5	PLATE, LOCK	2	2						
6	1	172B04-94500	BLADE ASSY, 1970 Q	1	1						
7	2	172A79-72240	BUSH,45X55X50	2	2						
8	2	172168-81410	SEAL, DUST 45X55X4	4	4						
10	1	22157-120000	WASHER, 12	2	2						
11	1	24761-020000	NIPPLE, GREASE PT1/8	2	2						
12	1	24761-040000	NIPPLE, GREASE B	2	2						
13	1	26013-100252	BOLT, M10X 25	4	4						
14	1	26013-120302	BOLT, M12X 30	2	2						

Fig.154. RADIO KIT(OPTIONAL)(WITHOUT RADIO)

(A)=VIO50-6B P(BR)
 (B)=VIO50-6B C(BR)
 (C)=

(D)=
 (E)=
 (F)=

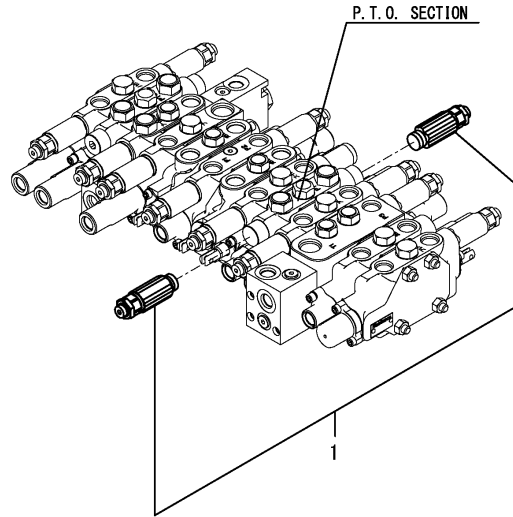


No.	Lev.	Parts No.	Description	Q'ty						I	R	
				(A)	(B)	(C)	(D)	(E)	(F)			
1	1	172B02-08180	RADIO KIT, ANTENNA		1							
2	2	172B02-67010	SCREW, SEMS 5X10		4							
3	2	172B02-67160	BOLT, SEMS 6X16		4							
4	2	172B02-67550	WASHER, 6		1							
5	2	172B02-67900	ANTENNA, RADIO		1							
6	2	172B02-67920	COVER, RADIO		1							
7	2	172B02-67930	BRACKET, RADIO L		1							
8	2	172B02-67940	BRACKET, RADIO R		1							

Fig.155. P.T.O. OVER LOAD VALVE KIT(OPTIONAL)

(A)=V1O50-6B P(BR)
 (B)=V1O50-6B C(BR)
 (C)=

(D)=
 (E)=
 (F)=

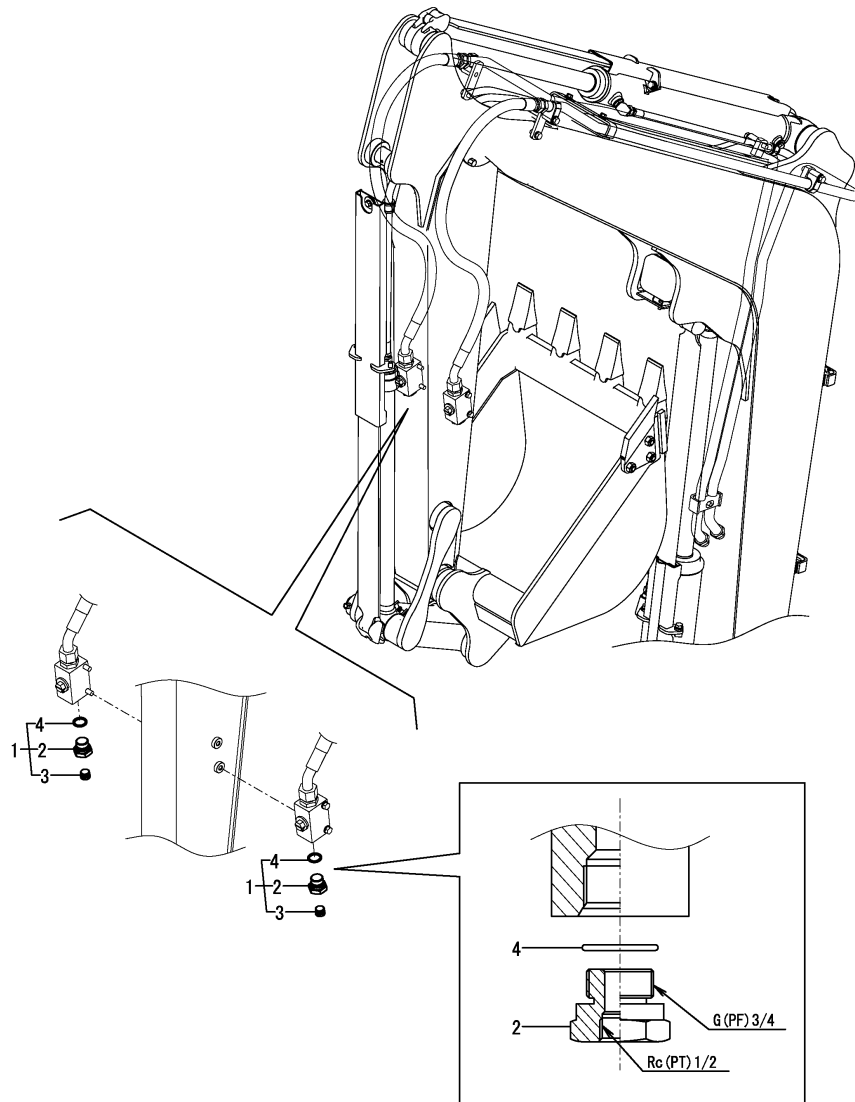


No.	Lev.	Parts No.	Description	Q'ty						I	R	
				(A)	(B)	(C)	(D)	(E)	(F)			
1	1	172B03-08590	VALVE ASSY,PTO O L	1	1							

Fig.156. P.T.O. STOP VALVE CONNECTER KIT(OPTIONAL)

(A)=VIO50-6B P(BR)
 (B)=VIO50-6B C(BR)
 (C)=

(D)=
 (E)=
 (F)=



No.	Lev.	Parts No.	Description	Q'ty						I	R
				(A)	(B)	(C)	(D)	(E)	(F)		
1	1	172B04-08740	FITTING SET,STOP V	2	2						1
2	2	172B04-76930	CONNECTOR,G3/4-R1/2	2	2						
3	2	23871-040000	PLUG, R04	2	2						
4	2	41851-000240	O-RING	2	2						

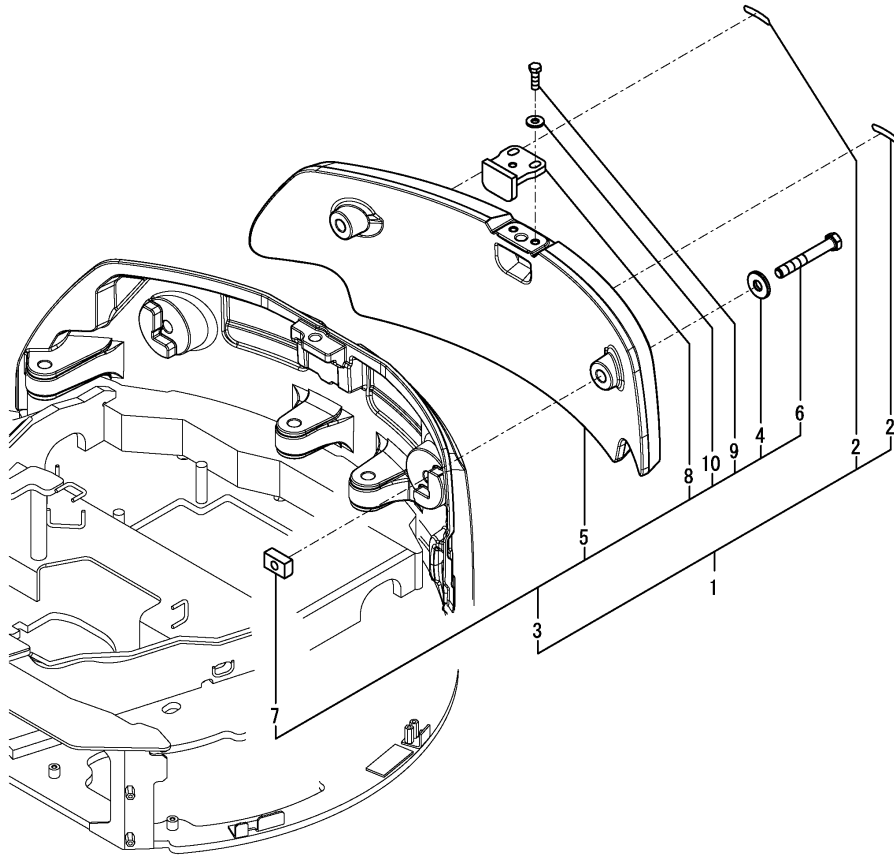
Remarks

(1)The cap diameter of the installation device is for R(PT)1/2.

Fig.157. ADDITIONAL WEIGHT KIT(OPTIONAL)

(A)=VIO50-6B P(BR)
 (B)=VIO50-6B C(BR)
 (C)=

(D)=
 (E)=
 (F)=



No.	Lev.	Parts No.	Description	Q'ty						I	R
				(A)	(B)	(C)	(D)	(E)	(F)		
1	1	172B04-08880	WEIGHT KIT,ADD EX D	1	1						
2	2	172B04-03980	LABEL, REFLECTOR M	2	2						
3	2	172B04-09200	WEIGHT ASSY, ADD	1	1						
4	3	172187-53321	WASHER	2	2						
5	3	172B04-53320	WEIGHT, ADD 195	1	1						
6	3	172455-53331	BOLT	2	2						
7	3	172A46-53360	NUT	2	2						
8	3	172B03-53410	BRACKET ASSY,WEIGHT	1	1						
9	3	26116-160502	BOLT, M16X 50 PLATED	2	2						
10	3	933147-08501	WASHER	2	2						

Parts No. Index

Parts No.	Fig. No.	Ref. No.
106990-44660	17	45
119802-55710	18	20
120147-44810	90	2
121250-49121	15	6
121256-44600	14	17
121450-44531	14	12
121470-44581	14	14
124450-44550	14	16
124450-44560	14	13
124766-59050	15	12
		13
	17	46
	18	24
	19	13
		14
128300-77920	98	29
129004-55612	19	10
129100-55690	18	19
129107-44590	14	2
129612-52100	18	17
129907-55810	19	17
129927-44900	126	2
129927-77920	26	47
171064-44510	14	10
171064-44520	14	11
172020-10620	146	2
	147	3
172068-28490	47	2
		10
172110-45050	47	6
		14
172110-76170	141	1
172112-75780	126	19
172112-77361	104	42
	105	47
	106	33
	135	10
172112-77480	144	1
172112-83500	147	8
		9
	148	6
172112-86250	148	7
172112-87840	153	3
172116-16310-3	20	7
172122-17190	101	1
172122-46590	49	13
	50	20
172122-55061	16	15
172122-57620	61	3
172122-70350	103	5

Parts No.	Fig. No.	Ref. No.
172122-70410	110	6
172122-70460	110	7
172122-73430	110	29
172122-73470	110	41
172122-73480	103	23
		24
172122-79890	141	9
		14
172122-79930	15	22
	142	32
172122-79940	82	4
172123-76121	107	18
	130	3
	139	3
	140	4
	142	12
172124-17640	36	5
172124-46200	49	11
	50	18
	149	2
172124-46340-2	49	12
172124-70010	110	12
172124-70030	110	13
172124-70051	110	14
172124-76160	129	11
	135	9
172124-94310-5	153	5
172125-81280	147	1
	149	4
172126-11510	18	1
		2
	26	1
		2
		3
		4
		5
	36	1
		2
	88	1
	127	7
	131	1
	132	1
	142	15
		16
172126-16540	18	16
	26	19
172126-73400	111	7
172126-73410	111	9
172137-16560	26	20
	29	3

Parts No.	Fig. No.	Ref. No.
172137-16560	36	3
	37	3
	39	1
172137-46042	11	10
		11
	12	10
		11
172137-46210	32	17
	74	2
		3
		4
	75	1
		2
		3
	82	2
172137-66230	62	11
		16
172137-73700	126	3
172137-73710	126	7
172137-76100	142	4
172137-76580	141	4
172141-17150	30	2
	31	2
172141-41340	49	1
172141-41370	49	3
		6
	50	3
	56	3
172141-50890	57	4
172141-65330	76	20
172141-72580	109	2
172141-73770	126	6
172141-75430-5	126	16
172141-76090	137	7
172141-76220	134	5
172141-76900	104	40
	105	44
172141-76920	129	20
172141-84601	149	24
172142-62301	16	17
172142-76181	108	18
	128	5
172142-76240	138	2
172142-76941	138	11
172147-70020	110	34
172147-70111	110	15
172147-70120	110	16
172147-70210	110	17
172147-70361	110	4
172147-70390	110	5

Parts No.	Fig. No.	Ref. No.
172147-70500	110	8
		19
		50
172147-70540	110	9
172147-82140	146	14
172148-70301	103	4
172148-70340	110	3
172151-73400	122	2
	123	2
172151-73420	122	3
	123	3
172151-73450	122	4
	123	4
172151-76050	142	3
172151-81611-W	150	4
		20
172156-61320	37	15
172156-65690	63	9
172157-45990	50	17
172157-58830	124	1
172162-13170	11	6
	12	6
172162-13190	11	7
	12	7
172162-13200	11	8
	12	8
172162-14200	17	22
172162-61500	66	3
172162-61850	28	7
172162-70290	110	18
172162-76181	130	6
172162-76850	138	10
172162-83540	104	48
172162-83550	104	49
172162-83560	146	17
172162-83570	146	18
172164-16370	20	8
172164-37351	44	2
172164-66640	76	22
172164-76131	129	7
172164-81670	104	43
	146	5
	147	10
	153	2
172165-13270	11	9
	12	9
172165-18601	37	6
172165-18630	37	8
172165-18670	37	9
172165-46340	50	19

Parts No. Index

Parts No.	Fig. No.	Ref. No.
172165-47550	56	12
172165-62800	26	44
		45
	33	11
172165-62830	80	2
		3
172165-71200	102	5
172165-76220	137	14
172165-76860	103	62
172165-82520	104	46
	146	15
	147	13
172165-82530	104	47
	146	16
	147	14
172165-82550	147	15
	148	8
	149	5
		6
	151	3
172165-82560	147	16
	148	9
	149	7
		8
	151	4
172165-82570	148	11
172165-82580	107	24
172165-82590	107	25
172165-82600	107	26
172168-76370	126	21
172168-81410	147	5
		6
	148	4
	153	8
172171-81270	149	3
172173-74280	115	11
	117	7
172173-76102	135	1
	142	7
172173-76121	135	3
172175-73700	126	4
172175-73710	126	5
172175-81700	146	6
172175-81710	146	7
172176-68210	87	2
	152	2
172176-73240	103	7
172176-73271	103	31
172176-73290	103	10
172176-73471	103	32

Parts No.	Fig. No.	Ref. No.
172176-73540	103	26
172176-73560	103	27
172176-73590	103	28
172176-73600	103	29
172176-73690	103	47
172176-73880	103	55
172176-73910	103	56
172176-73930	103	57
172176-73940	103	58
172176-81640	151	2
172183-03280	3	8
	4	9
172183-16560	36	4
	142	17
172183-65530	76	21
172183-76200	130	11
172183-81160	26	66
	107	19
		20
	152	3
		4
172186-13660	85	2
172186-45840	33	7
172186-76390	139	8
172186-76410	108	20
172187-45651	50	13
172187-45760	50	14
	52	1
172187-45870	49	9
172187-45880	49	10
172187-53321	59	4
	157	4
172187-64900	32	18
	76	19
172187-66330	64	6
172187-75500	126	18
172187-76180	126	20
172187-76520	138	8
172187-76690-Y	138	9
172187-78580	26	48
172187-81970	146	12
		13
172312-74790	103	46
	110	72
172312-77820	144	4
172422-76140	130	4
172423-50810-3	58	1
172423-73330	110	21
172423-73370	110	23
172423-73410	110	28

Parts No.	Fig. No.	Ref. No.
172423-73470	110	42
172423-73480	110	44
172423-73510	110	48
172423-76120	112	3
172423-94211	153	4
172425-73530	111	11
172434-61170	67	5
172437-03511	1	3
172437-03610	2	3
172437-03620	2	4
172437-74711	124	5
172437-74720	124	6
172438-76460	126	22
172441-44320	55	1
172444-13210	15	4
172444-13220	15	5
172444-14200	17	5
172444-14410	17	39
172444-14450	17	6
172444-14460	17	7
172444-14470	17	8
172444-14480	17	9
172444-14490	17	10
172444-17620	68	2
172444-17660	74	1
	80	1
	152	1
172444-65190	63	21
172445-18131	37	5
172445-18960	37	13
172445-76153	130	5
172445-81360	147	4
172446-14250	127	8
172446-75250	126	9
172447-14330	13	6
172447-73480	111	10
172447-74230	118	3
172448-14670	19	2
172448-65490	62	21
		22
172448-82570	150	10
		16
172448-82580	150	12
		18
172448-82590	150	13
		19
172448-82950	150	9
		15
172448-82960	150	11
		17

Parts No.	Fig. No.	Ref. No.
172452-73480	103	25
		45
172455-17930	35	1
172455-29140	41	2
	110	1
172455-46890	56	11
172455-53331	59	5
	157	6
172455-57650	61	4
172455-61710	79	1
172455-75270	126	10
172455-75280	126	11
172455-75290	126	12
172455-75300	126	13
172455-75310	126	14
172455-76220	142	13
172455-79140	137	25
172455-79180	137	26
172455-81380	145	2
172455-83480	145	9
172456-53700	28	5
	59	6
172456-61480	13	7
172456-74440	116	15
172457-73570	103	33
172458-03240	5	3
172458-14340	17	35
172458-14370	17	24
172458-17700	40	1
172458-18850	77	3
172458-45230-1	50	5
172458-45510-1	51	1
172458-45521-1	50	11
172458-45540-1	50	12
172458-46720	137	21
172458-50480-2	57	2
172458-61510	13	8
172458-63641	142	18
172458-63650	77	17
172458-65070	77	13
172458-73830	110	71
172458-74130	117	20
	118	5
		18
	121	3
172458-74140	117	21
	118	6
		19
	121	4
172458-74150	115	5

Parts No. Index

Parts No.	Fig. No.	Ref. No.
172458-74150	116	4
	118	7
	119	4
	120	2
	121	5
172458-74160	115	6
	116	5
	118	8
	119	5
	120	3
	121	6
	117	22
172458-74170	118	9
		20
	121	8
172458-74230	115	7
		20
	116	6
	117	5
	119	6
		16
	120	6
		16
	115	8
		21
172458-74240	116	7
	119	7
		17
	120	7
	115	9
		22
	116	8
	119	8
		18
	120	8
172458-74250	115	9
		22
	116	8
	119	8
		18
	120	8
		18
	115	10
		23
	116	9
172458-74260	117	6
	119	10
		19
	120	9
		20
	116	18
	117	23
	118	21
	120	22
	116	19
172458-74290	117	23
	118	21
	120	22
	116	19
	117	25

Parts No.	Fig. No.	Ref. No.
172458-74360	118	23
	120	23
172458-74530	117	13
172458-74540	117	14
172458-74550	117	15
172458-74630	115	14
	116	12
	118	12
	119	12
	120	10
	121	10
	116	25
	117	27
		118
		120
172458-74640	117	25
	118	25
	120	24
	117	16
	120	25
172458-74670	115	33
	139	4
172458-74720	142	19
172458-76150	20	4
172458-78571	66	2
172460-16130	103	8
172460-61121	111	32
172460-73240	103	11
172460-73320	103	12
172460-73330	103	13
172460-73350	103	14
172460-73360	103	16
172460-73370	103	17
172460-73390	110	31
172460-73420	110	32
172460-73511	110	52
172460-73531	110	54
172460-73551	110	55
172460-73570	110	37
172460-73590	111	13
172460-73631	103	19
172460-73660	103	20
172460-73780	103	21
172460-73790	146	4
172460-73900	146	8
172460-73910	148	1
172460-73920	148	2
172460-81400	148	3
172460-81800	148	10
172460-81800	148	12
172460-82350-Y	11	4
172460-82360-Y	12	4
172460-82380-Y	103	6
172460-82561		
172460-82591		
172461-13140		
172461-73132		

Parts No.	Fig. No.	Ref. No.
172461-73270	103	9
172461-73770	111	12
172472-03290	32	2
172472-03300	32	3
172472-17611	90	1
172478-17202	27	1
172478-37501	44	1
172478-37511	44	3
172478-37521	44	4
172478-37540	44	5
172478-37550	44	6
172490-37320	43	11
172490-74310	115	24
	119	21
172490-74320	115	25
	119	23
172490-74330	115	26
	119	24
172491-18620	37	7
172491-62830	80	4
172499-70180	115	4
	117	4
172499-74860	120	26
172519-63240	26	46
	55	4
		5
	73	1
		2
172527-68980	97	14
172534-76760	137	15
172538-17100	30	1
	31	1
172538-61250	86	5
172538-66510	90	3
172538-68450	71	14
172648-16600	98	25
172823-45940	50	16
172958-03160	5	2
172958-17121	149	1
172958-17140	32	7
172958-17150	32	8
172958-17160	32	9
172958-17170	32	10
172958-17180	32	11
172958-17190	32	12
172958-17200	32	13
172958-17220	32	14
172958-17230	32	15
172958-17410	32	1
172958-72950	109	14

Parts No.	Fig. No.	Ref. No.
172958-72960	109	15
172958-72983-N	109	24
172958-76130	140	5
172958-78120	140	7
172958-78160	140	8
172958-83140	149	13
172958-83171-Y	149	16
172958-83330	149	23
172960-72800-N	109	1
172960-72810-N	109	3
172960-72860	109	6
172960-72880	109	9
172960-72890	109	12
172960-72900	109	13
172960-72920	109	11
172960-72950	109	5
172960-72960	109	16
172960-72970	109	21
172960-73431	103	18
172960-76100-Y	140	3
172960-81600	151	1
172960-83102-Y	149	9
172960-83113-Y	149	10
172960-83121	149	11
172960-83131	149	12
172960-83141	149	14
172960-83152	149	15
172960-83170	151	5
172960-83192	149	17
172960-83210	149	18
172960-83252-Y	149	19
172960-83282	149	20
172960-83292-Y	149	21
172960-83312-Y	149	22
172A21-13100	60	1
172A23-72043	104	3
	105	2
	106	2
172A23-72052	104	4
	105	3
	106	3
172A23-72081	104	6
	105	5
	106	5
172A25-68301-2	100	1
172A25-68500	100	2
172A27-72951-N	105	43
172A36-74750	124	7
172A36-74780	124	8
172A46-13780	83	4

Parts No. Index

Parts No.	Fig. No.	Ref. No.
172A46-46500	55	2
172A46-46530	55	3
172A46-53360	157	7
172A46-72070	104	5
	105	4
	106	4
172A47-11200	37	2
172A47-14220	15	8
172A47-14520	17	40
172A47-65550	6	4
	84	5
172A47-68860	101	2
172A47-68870	101	3
172A47-68880	101	4
172A47-68890	101	5
172A47-72840	104	39
	105	42
	106	31
172A47-72881-N	106	32
172A47-73310	110	20
172A47-73320	110	51
172A47-74121	137	1
172A47-74260	120	21
172A47-74270	116	17
172A47-74350	117	8
172A47-74360	117	9
172A47-74370	117	10
172A47-74380	117	11
172A47-74460	116	20
172A47-74560	116	22
172A47-74570	116	23
172A47-74580	116	24
172A47-74920	116	26
172A47-74930	116	27
172A47-74950	115	15
	120	27
172A47-74970	115	16
172A47-74980	117	17
172A47-75450	115	34
172A47-75460	115	32
	119	28
172A47-75480	121	15
172A47-75620	115	29
	116	28
	119	25
172A47-75680	116	29
	120	28
172A47-75690	116	30
172A47-75720	120	29
172A47-76111	27	2

Parts No.	Fig. No.	Ref. No.
172A47-76151	127	3
172A47-76180	130	9
172A47-76270	130	26
172A47-76280	130	27
172A47-76290	130	12
172A47-76310	130	14
172A47-76460	136	11
172A47-77820	144	5
172A47-81921	146	11
172A47-81980	107	22
172A48-74200	115	2
	116	2
	118	2
	119	2
172A48-74210	117	2
172A52-76110	128	3
172A64-04380	1	7
172A64-17250	26	26
172A64-64940	64	5
172A64-65160	38	4
172A64-74590	122	5
	123	5
172A64-74600	122	7
	123	7
172A64-74610	122	8
	123	8
172A64-74620	122	9
	123	9
172A64-74630	122	10
	123	10
172A64-74640	122	11
	123	11
172A64-74650	122	12
	123	12
172A64-74660	122	17
	123	13
172A64-74670	122	15
172A64-74680	122	18
	123	14
172A64-74900	122	19
	123	17
172A64-74930	122	20
	123	18
172A65-13290	40	5
172A65-76790	15	19
		21
172A69-03220	3	5
	4	4
172A69-12100	10	1
172A69-12120	10	7

Parts No.	Fig. No.	Ref. No.
172A69-13150	11	5
	12	5
172A69-13680	16	13
172A69-13690	16	5
172A69-14230	17	33
172A69-14640	18	8
172A69-16700	17	26
172A69-17260	26	30
172A69-46270	56	7
172A69-62280	63	5
172A69-62510	63	8
172A69-76410	138	5
172A69-76440-Y	138	6
172A77-46050	56	1
172A78-74330	118	10
172A78-74360	115	27
172A78-74370	115	12
172A78-74450	117	3
172A78-74490	115	19
172A78-74590	115	18
172A78-74651	122	22
	123	20
172A79-57660	61	5
172A79-72240	153	7
172A79-72570	12	12
	104	38
	105	41
	106	30
172A79-72700	105	33
172A79-72710	105	34
172A79-72720	105	35
172A79-72730	105	36
172A79-72740	105	37
172A79-72870	104	26
	105	28
	106	24
	107	8
172A79-72920	105	25
		39
172A79-72970	104	15
	105	17
172A79-72980	104	16
	105	18
172A79-74240	117	1
172A79-76110	27	4
172A86-03820	1	4
172A86-03830	1	5
172A89-13310	14	1
172A89-13550	13	4
172A89-13560	13	5

Parts No.	Fig. No.	Ref. No.
172A89-17180	26	25
172A89-64740	78	12
172A89-64780	78	13
172A89-64790	78	14
172A89-64800	78	15
172A89-64810	78	16
172A89-64820	78	17
172A89-64830	78	18
172A89-64840	78	19
172A89-64850	78	20
172A89-64860	78	21
172A89-64870	78	22
172A89-64880	78	23
172A89-64890	78	24
172A89-64900	78	25
172A89-64910	78	26
172A89-64920	78	27
172A89-64950	78	6
172B02-04410	4	14
172B02-04420	4	15
172B02-04430	3	11
	4	16
172B02-04500	3	14
	4	19
172B02-04510	2	7
172B02-04520	2	8
172B02-04530	2	9
172B02-04540	1	10
172B02-04550	3	15
	4	20
172B02-04570	3	18
	4	23
172B02-04580	3	19
	4	24
172B02-04590	1	11
172B02-04600	2	10
172B02-04610	3	20
	4	25
172B02-04620	1	12
172B02-04630	3	21
	4	26
172B02-04640	2	11
172B02-04660	2	12
172B02-04670	2	13
172B02-04680	1	13
172B02-04690	1	14
172B02-04700	3	22
	4	27
172B02-04710	3	23
	4	28

Parts No. Index

Parts No.	Fig. No.	Ref. No.
172B02-04730	3	24
	4	29
172B02-04800	1	15
172B02-04810	1	16
172B02-04820	3	25
	4	30
172B02-04830	1	17
172B02-04840	2	14
172B02-04860	1	18
172B02-04870	5	4
172B02-04880	3	26
	4	31
172B02-04890	3	27
	4	32
172B02-04900	5	5
172B02-04910	5	6
172B02-04920	5	7
172B02-04930	5	8
172B02-04940	5	9
172B02-04950	3	28
	4	33
172B02-04960	2	15
172B02-04970	4	34
172B02-08180	154	1
172B02-17160	98	2
172B02-64210	78	2
172B02-64250	78	10
172B02-64260	78	11
172B02-64270	78	3
172B02-64800	78	1
172B02-65350	83	14
172B02-67010	154	2
172B02-67020	95	2
172B02-67040	98	3
172B02-67060	96	2
172B02-67080	99	2
172B02-67090	99	3
172B02-67100	92	2
172B02-67120	96	3
	98	4
172B02-67130	99	4
172B02-67140	96	4
172B02-67150	93	6
	98	5
172B02-67160	92	3
	93	7
		8
	97	6
	154	3
172B02-67170	97	7

Parts No.	Fig. No.	Ref. No.
172B02-67180	92	4
172B02-67190	98	6
172B02-67200	95	3
	97	8
		9
	98	7
		8
	99	5
172B02-67210	92	5
172B02-67230	97	10
172B02-67240	99	6
		7
		8
		9
172B02-67250	94	2
	96	5
172B02-67260	94	3
172B02-67280	94	4
		5
		6
		10
		17
172B02-67290	98	9
172B02-67300	98	10
172B02-67310	98	11
		12
172B02-67320	99	10
172B02-67340	99	11
172B02-67350	93	9
172B02-67360	99	12
172B02-67380	95	4
		5
172B02-67390	92	6
172B02-67400	93	10
172B02-67410	92	7
172B02-67430	92	8
	93	11
	94	7
	97	11
172B02-67440	92	9
172B02-67500	93	12
172B02-67520	94	8
	97	12
172B02-67530	93	13
	97	13
172B02-67550	92	10
	154	4
172B02-67600	93	14
172B02-67620	92	11
172B02-67650	93	15

Parts No.	Fig. No.	Ref. No.
172B02-67670	92	12
172B02-67700	93	16
172B02-67710	92	13
172B02-67750	98	13
172B02-67760	98	14
172B02-67800	98	15
172B02-67850	98	16
172B02-67870	95	6
	98	17
172B02-67900	154	5
172B02-67910	90	4
172B02-67920	154	6
172B02-67930	154	7
172B02-67940	154	8
172B02-67950	95	7
	98	18
	99	13
172B02-67960	99	14
172B02-67970	99	15
172B02-68002	91	1
172B02-68200	93	1
172B02-68210	93	17
172B02-68220	93	18
172B02-68230	93	19
172B02-68240	93	20
172B02-68250	93	21
172B02-68260	93	22
172B02-68270	93	23
172B02-68280	93	24
172B02-68290	93	25
172B02-68300	93	26
172B02-68310	93	27
172B02-68320	93	28
172B02-68330	93	29
172B02-68340	93	30
172B02-68350	93	31
172B02-68360	93	32
172B02-68370	93	33
172B02-68380	93	34
172B02-68390	93	35
172B02-68400	93	36
172B02-68410	93	37
172B02-68420	93	38
172B02-68430	93	39
	99	16
172B02-68440	93	40
172B02-68450	93	41
172B02-68500	95	1
172B02-68510	95	8
172B02-68520	95	9

Parts No.	Fig. No.	Ref. No.
172B02-68530	95	10
172B02-68540	95	11
172B02-68550	95	12
172B02-68560	95	13
172B02-68570	95	14
172B02-68580	95	15
172B02-68590	95	16
172B02-68600	95	17
172B02-68610	95	18
172B02-68620	95	19
172B02-68630	95	20
172B02-68640	95	21
172B02-68650	95	22
172B02-68660	95	23
172B02-68700	99	17
172B02-68710	99	18
172B02-68720	99	19
172B02-68730	99	20
172B02-68740	99	21
172B02-68750	98	19
172B02-68760	99	22
172B02-68780	99	23
172B02-68790	99	24
172B02-68800	99	25
172B02-68810	99	26
172B02-68820	98	20
172B02-68840	99	27
172B02-68850	98	21
172B02-68860	98	22
172B02-68870	98	23
172B02-68880	99	28
172B02-68890	99	29
172B02-68900	101	6
172B02-68910	101	7
172B02-68920	101	8
172B02-68930	101	9
172B02-68940	101	10
172B02-69010	97	15
172B02-69020	99	30
172B02-69030	99	31
172B02-69040	77	22
	97	16
172B02-69102	98	24
172B02-69110	98	26
172B02-69120	94	9
172B02-69130	94	16
172B02-69140	94	23
172B02-69150	94	24
172B02-69160	94	25
172B02-69170	94	11

Parts No. Index

Parts No.	Fig. No.	Ref. No.
172B02-69170	94	18
		26
172B02-69180	94	12
		19
		27
172B02-69190	94	28
172B02-69200	94	29
172B02-69210	94	30
172B02-69220	94	31
172B02-69230	96	6
172B02-69240	96	7
172B02-69250	96	8
172B02-69260	94	13
172B02-69270	94	20
172B02-69280	94	14
		21
172B02-69290	94	15
		22
172B02-69301	96	9
172B02-69311	96	10
172B02-69321	96	11
172B02-69351	96	12
172B02-69361	96	13
172B02-69401	96	14
172B02-69411	96	15
172B02-69421	96	16
172B02-69431	96	17
172B02-69451	96	18
172B02-69460	96	19
172B02-69490	96	20
172B02-69500	96	21
172B02-69510	96	22
172B02-69520	96	23
172B02-69530	96	24
172B02-69540	96	25
172B02-69550	96	26
172B02-69560	96	27
172B02-69570	96	28
172B02-69580	96	29
172B02-69590	96	30
172B02-69600	96	31
172B02-69610	92	14
172B02-69620	92	15
	93	42
172B02-69630	92	16
172B02-69640	92	17
172B02-69650	92	18
172B02-69660	92	19
172B02-69670	92	20
172B02-69680	92	21

Parts No.	Fig. No.	Ref. No.
172B02-69690	92	22
172B02-69700	92	23
172B02-69710	97	17
172B02-69720	97	18
172B02-69730	97	19
172B02-69740	97	20
172B02-69750	97	21
172B02-69760	97	22
172B02-69770	97	23
172B02-69780	97	24
172B02-69790	97	25
172B02-69800	97	26
172B02-69810	97	27
172B02-69820	99	32
172B02-69830	99	33
172B02-69841	99	34
172B02-69850	92	24
172B02-69860	92	25
172B02-69870	92	26
172B02-69880	99	35
		36
172B02-69890	99	37
172B02-69900	99	38
172B02-69910	99	39
172B02-69920	99	40
172B02-69930	99	41
172B02-69940	99	42
172B02-69950	99	43
172B02-69960	99	44
172B02-69970	92	27
172B02-69980	98	27
172B02-69990	98	28
172B02-73800	113	1
172B02-73810	113	2
172B02-73840	113	3
172B02-73850	113	4
172B02-73860	113	5
172B02-73880	113	7
172B02-73890	113	8
172B02-73910	113	6
172B02-74240	120	17
172B02-74250	120	19
172B02-74290	119	15
172B02-74310	119	22
172B02-74450	116	16
172B02-74850	119	14
172B02-74890	116	14
172B03-03200	3	4
	4	3
172B03-03220	3	6

Parts No.	Fig. No.	Ref. No.
172B03-03220	4	5
172B03-03240	4	6
172B03-03250	4	7
172B03-03280	4	10
172B03-05400	6	1
172B03-05500	6	2
172B03-05600	6	3
172B03-08590	155	1
172B03-09650	5	1
172B03-11571	8	9
172B03-11820	8	11
172B03-11830	8	12
172B03-14250	17	14
172B03-14271	17	34
172B03-14610	18	4
172B03-16130	29	1
		9
172B03-16570	28	1
172B03-16650	88	2
172B03-16740	28	2
172B03-16760	28	3
172B03-16890	28	4
172B03-16950	24	1
172B03-17051	26	22
172B03-17100	26	24
172B03-17258	30	3
	31	3
172B03-17261	30	4
	31	4
172B03-17301	30	5
	31	5
172B03-17310	30	7
	31	7
172B03-17320	30	9
	31	9
172B03-17331	31	11
172B03-17350	30	6
	31	6
172B03-17360	30	8
	31	8
172B03-17370	30	10
	31	10
172B03-17380	31	12
172B03-17460	29	4
172B03-17470	29	5
172B03-17500	54	27
172B03-17650	33	4
172B03-17900	32	19
172B03-17990	82	1
172B03-18100	37	4

Parts No.	Fig. No.	Ref. No.
172B03-18310	35	2
172B03-18350	35	3
172B03-18570	35	5
172B03-18700	40	2
172B03-18740	40	3
172B03-18760	40	4
172B03-18780	40	7
172B03-18940	38	2
172B03-18950	38	5
172B03-19101	34	1
172B03-19110	35	12
172B03-19120	34	8
172B03-19130	34	10
172B03-19140	34	11
172B03-19150	34	13
172B03-19160	35	18
172B03-19191	34	15
172B03-19200	34	16
172B03-19210	34	18
172B03-19220	34	19
172B03-19230	34	20
172B03-19240	34	21
172B03-19250	34	22
172B03-19260	34	23
172B03-19270	34	24
172B03-19280	34	25
172B03-19290	34	26
172B03-19300	34	27
172B03-19310	34	28
172B03-19320	34	29
172B03-19330	34	30
172B03-19340	34	31
172B03-19350	34	32
172B03-19360	34	33
172B03-19370	34	34
172B03-19380	34	35
172B03-19390	34	36
172B03-19400	34	37
172B03-19410	34	38
172B03-19420	34	39
172B03-19430	34	40
172B03-19440	34	41
172B03-19450	34	42
172B03-19460	34	43
172B03-19470	34	44
172B03-19480	34	45
172B03-19490	34	46
172B03-19500	34	47
172B03-19510	34	48
172B03-19520	34	49

Parts No. Index

Parts No.	Fig. No.	Ref. No.
172B03-19530	34	50
172B03-19540	34	51
172B03-19550	34	52
172B03-19650	38	8
172B03-19660	38	9
172B03-19670	38	10
172B03-19680	38	6
172B03-19750	36	9
172B03-19780	38	14
172B03-19920	35	20
172B03-19950	36	18
172B03-44400	25	1
172B03-44600	47	1
172B03-44610	47	3
172B03-44650	47	4
172B03-44700	47	9
172B03-44710	47	11
172B03-44750	47	12
172B03-45101	49	2
172B03-45151	49	5
172B03-45200	50	2
172B03-45250	50	6
172B03-45300	50	7
172B03-45320	50	8
172B03-45401	49	8
172B03-45450	54	1
172B03-45580	51	2
172B03-45602	48	1
172B03-45800	54	4
172B03-45850	54	5
172B03-45900	54	6
172B03-45950	54	9
172B03-45990	54	10
172B03-46010	53	1
172B03-46060	53	2
172B03-46100	56	2
172B03-46200	56	6
172B03-46310	56	8
172B03-46350	56	9
172B03-46400	56	10
172B03-46810	52	2
172B03-53410	157	8
172B03-61050	62	1
172B03-61071	62	2
172B03-61090	62	3
172B03-61200	62	4
172B03-61230	62	8
172B03-61260	62	12
172B03-61430	65	3
172B03-61450	62	6

Parts No.	Fig. No.	Ref. No.
172B03-61460	62	10
172B03-61470	62	14
172B03-61480	62	7
172B03-61490	62	15
172B03-61540	62	19
		20
172B03-62100	72	1
172B03-62140	72	2
172B03-62150	71	1
172B03-62170	71	2
172B03-62240	71	3
172B03-62251	71	4
172B03-62500	72	3
172B03-62520	71	5
172B03-62750	71	9
	72	7
172B03-63050	74	6
	75	5
172B03-63290	75	14
172B03-63320	75	8
172B03-63400	76	1
172B03-63450	76	8
172B03-63501	74	7
	75	6
172B03-63610	73	3
172B03-63620	73	4
172B03-63630	73	5
172B03-63650	75	7
172B03-63670	75	11
172B03-63700	75	12
172B03-63710	74	8
172B03-63720	74	9
172B03-63750	75	13
172B03-63770	74	10
172B03-64020	79	6
172B03-64450	76	24
172B03-64570	77	11
172B03-64601	77	15
172B03-64700	81	1
172B03-64780	82	3
172B03-64831	79	3
172B03-64960	79	9
172B03-65170	83	9
172B03-65310	83	13
172B03-65350	89	2
172B03-65920	89	3
172B03-65950	86	18
172B03-66170	63	10
	83	17
	93	2

Parts No.	Fig. No.	Ref. No.
172B03-66170	97	2
172B03-66300	87	1
172B03-74160	120	13
172B03-74170	120	14
172B03-74370	124	2
172B03-74420	124	4
172B03-74530	122	1
172B03-74560	123	1
172B03-74590	122	6
	123	6
172B03-74650	122	13
172B03-74660	122	14
172B03-74680	123	15
172B03-74700	124	3
172B03-74720	125	1
172B03-74750	125	3
172B03-74770	125	8
172B03-74860	125	4
172B03-74870	125	5
172B03-74880	125	6
172B03-74930	125	9
172B03-76010	127	1
	128	1
	130	1
	134	1
	139	1
	140	1
	142	1
172B03-76070	129	1
172B03-76080	129	2
	130	24
172B03-76110	129	3
	137	10
172B03-76120	129	5
172B03-76130	129	9
		26
	134	3
	135	5
172B03-76150	135	7
172B03-76160	129	12
	137	12
172B03-76170	129	14
172B03-76180	139	6
172B03-76190	129	16
172B03-76310	130	17
172B03-76400	136	3
172B03-76410	136	4
172B03-76440	136	6
172B03-76450	136	7
172B03-76470	136	8

Parts No.	Fig. No.	Ref. No.
172B03-76511	138	7
172B03-76630	129	18
172B03-78050	76	25
172B03-78650	131	11
172B03-78701	131	12
172B03-78720	131	13
172B03-78910	142	20
172B03-78920	142	21
172B03-79211	139	10
172B03-79230	139	11
172B03-79241	139	12
172B03-79510	143	1
172B03-79520	143	2
172B03-79530	143	3
172B03-79540	143	4
172B03-79550	143	5
172B03-79560	143	6
172B03-79610	142	22
172B03-79620	142	23
172B03-79630	142	24
172B03-79640	142	25
172B03-79650	142	26
172B03-79660	142	27
172B03-79670	142	28
172B03-79680	142	29
172B03-79690	142	30
172B03-79700	142	31
172B03-79861	136	15
		16
		22
172B03-79871	136	17
		18
		23
172B03-79880	133	3
172B03-79970	132	12
		15
172B04-03140	3	2
172B04-03250	1	2
172B04-03260	2	2
172B04-03270	3	7
	4	8
172B04-03350	3	9
	4	11
172B04-03470	3	10
	4	12
172B04-03650	1	19
172B04-03980	1	6
	157	2
172B04-04140	4	13
172B04-04490	1	8

Parts No. Index

Parts No.	Fig. No.	Ref. No.
172B04-04500	1	9
172B04-05200	16	1
172B04-05260	16	2
172B04-08381	126	1
172B04-08390	17	1
172B04-08740	156	1
172B04-08880	157	1
172B04-08920	2	1
172B04-08931	3	1
172B04-08950	1	1
172B04-08970	4	1
172B04-09200	157	3
172B04-11050	7	1
172B04-11350	7	7
172B04-11382	7	8
172B04-11450	8	1
172B04-11520	8	2
172B04-11530	8	3
172B04-11561	8	4
172B04-11570	8	10
172B04-11580	8	5
172B04-11601	9	1
172B04-11651	9	3
172B04-11660	9	4
172B04-11680	9	6
172B04-11710	9	7
172B04-11800	8	6
172B04-11901	8	13
172B04-11940	8	15
172B04-13020	15	1
172B04-13040	15	2
172B04-13050	15	3
172B04-13110	11	1
	12	1
172B04-13120	11	2
	12	2
172B04-13130	11	3
	12	3
172B04-13330	14	3
	4	4
172B04-13350	14	5
	6	6
172B04-13380	14	7
172B04-13410	14	8
172B04-13450	14	9
172B04-13480	13	1
172B04-13500	13	2
172B04-13601	16	3
172B04-13720	16	6
172B04-13730	16	7

Parts No.	Fig. No.	Ref. No.
172B04-13740	16	8
172B04-13750	16	9
172B04-13760	16	10
172B04-13780	16	11
172B04-13800	16	12
172B04-13900	13	9
172B04-13910	13	10
172B04-13920	13	11
172B04-14110	17	2
172B04-14150	17	29
172B04-14200	17	31
172B04-14210	17	32
172B04-14220	17	23
172B04-14370	18	3
172B04-14400	17	36
172B04-14420	17	25
		38
172B04-14600	19	1
172B04-14830	19	6
172B04-14860	18	12
172B04-14950	17	41
172B04-16010	33	1
172B04-16121	22	1
172B04-16160	20	5
172B04-16191	20	6
172B04-16380	20	9
172B04-16400	21	1
172B04-16431	26	6
172B04-16460	26	7
172B04-16501	20	10
172B04-16550	29	2
172B04-16620	33	2
172B04-16660	88	3
172B04-16850	39	2
172B04-17000	26	21
172B04-17050	26	23
172B04-17250	26	27
172B04-17261	26	28
172B04-17300	21	2
172B04-17350	89	1
172B04-17650	26	31
172B04-17790	26	32
172B04-17800	33	5
172B04-17830	26	33
172B04-18400	36	26
172B04-18550	35	4
172B04-18580	35	6
172B04-18600	36	6
172B04-18640	36	7
172B04-18810	37	10

Parts No.	Fig. No.	Ref. No.
172B04-18880	37	11
172B04-18900	37	12
172B04-19650	35	13
172B04-19660	35	15
172B04-19710	36	8
172B04-19760	36	10
172B04-19800	36	12
172B04-19820	36	14
172B04-19840	35	17
172B04-19860	36	16
		17
172B04-19890	35	19
172B04-29100	41	1
172B04-37090	42	1
172B04-37200	42	9
172B04-37220	43	7
172B04-37300	43	1
172B04-37310	43	3
172B04-38400	45	1
172B04-38410	45	13
		20
172B04-38500	45	14
172B04-38600	46	1
172B04-50100	57	1
172B04-53300	59	1
172B04-53320	157	5
172B04-53330	59	3
172B04-54101	60	2
172B04-54800	60	6
172B04-54900	60	4
172B04-54910	60	5
172B04-54950	60	8
172B04-57600	61	1
172B04-57610	61	2
172B04-61010	67	1
172B04-61040	67	3
		4
172B04-61100	66	1
172B04-61110	68	1
172B04-61140	68	4
		5
172B04-61210	69	1
172B04-61320	69	2
172B04-61370	70	1
172B04-61390	70	3
172B04-61410	65	1
172B04-61420	65	2
172B04-61440	65	4
172B04-61600	84	1
172B04-61650	77	2

Parts No.	Fig. No.	Ref. No.
172B04-61810	63	1
172B04-61820	63	2
172B04-61851	84	2
172B04-61901	64	1
172B04-61980	64	3
172B04-61990	64	4
172B04-62260	63	3
172B04-62271	63	4
172B04-62300	63	6
172B04-62340	63	7
172B04-62600	71	6
	72	4
172B04-62610	71	8
	72	6
172B04-62660	72	10
172B04-62800	72	8
172B04-62850	71	10
172B04-62860	71	12
172B04-62870	71	13
172B04-64010	79	5
172B04-64030	79	7
172B04-64070	77	6
172B04-64080	77	7
172B04-64090	77	8
172B04-64100	77	9
172B04-64110	76	2
172B04-64120	76	3
172B04-64130	76	4
172B04-64140	76	5
172B04-64200	76	7
172B04-64380	76	23
172B04-64500	77	5
172B04-64510	77	10
172B04-64650	77	16
172B04-64670	77	19
172B04-64680	77	20
172B04-64690	77	21
172B04-64850	79	4
172B04-64990	77	12
172B04-65190	83	6
172B04-65201	83	10
172B04-65290	83	11
172B04-65300	83	12
172B04-65340	83	7
172B04-65350	83	8
172B04-65390	83	15
172B04-65410	84	3
172B04-65450	84	4
172B04-65600	85	1
172B04-65650	85	4

Parts No. Index

Parts No.	Fig. No.	Ref. No.
172B04-65670	85	5
172B04-65700	85	6
172B04-65730	85	7
172B04-65780	126	34
172B04-65800	86	1
172B04-65820	86	4
172B04-65900	86	17
172B04-65950	83	16
172B04-67500	89	4
172B04-67780	89	6
172B04-67790	89	7
172B04-67811	89	8
172B04-71100	102	1
172B04-71890	104	1
172B04-71900	104	2
172B04-71950	105	1
172B04-71960	106	1
172B04-71980	108	1
172B04-72010	104	8
172B04-72030	105	7
172B04-72050	106	7
172B04-72070	107	2
172B04-72080	108	3
172B04-72100	104	7
172B04-72110	104	11
172B04-72120	104	12
		23
172B04-72130	104	13
172B04-72150	104	17
172B04-72160	104	18
172B04-72170	104	19
172B04-72180	104	20
172B04-72190	104	21
172B04-72200	104	22
172B04-72211	104	24
172B04-72221	104	25
172B04-72230	104	28
172B04-72240	104	29
172B04-72250	104	30
	105	10
	106	10
172B04-72260	104	31
	105	11
	106	11
172B04-72270	107	15
172B04-72280	104	9
172B04-72290	104	10
	108	4
172B04-72330	105	15
172B04-72350	105	19

Parts No.	Fig. No.	Ref. No.
172B04-72360	105	20
172B04-72370	105	21
172B04-72380	105	22
172B04-72390	105	23
172B04-72400	105	24
172B04-72410	105	26
172B04-72420	105	27
172B04-72430	105	30
172B04-72440	105	31
172B04-72450	105	6
172B04-72461	107	7
172B04-72470	104	32
	105	12
	106	12
172B04-72480	105	8
172B04-72490	105	9
172B04-72500	106	6
172B04-72510	106	16
172B04-72520	106	17
172B04-72530	106	18
172B04-72550	106	20
172B04-72560	106	21
172B04-72571	106	22
172B04-72581	106	23
172B04-72590	106	26
172B04-72600	106	27
172B04-72610	106	28
172B04-72630	108	7
172B04-72640	108	8
172B04-72651	107	6
172B04-72680	106	8
172B04-72690	106	9
172B04-72700	107	1
172B04-72710	107	10
172B04-72720	107	11
172B04-72730	107	12
172B04-72740	107	13
172B04-72750	107	14
172B04-72780	107	3
172B04-72790	107	4
172B04-72820	108	12
	14	
172B04-72840	108	16
172B04-72850	108	15
172B04-72870	108	9
172B04-72880	108	5
172B04-72910	105	38
172B04-73110	103	1
172B04-73290	110	10
172B04-73300	110	2

Parts No.	Fig. No.	Ref. No.
172B04-73310	111	1
172B04-73350	110	11
172B04-73360	111	23
172B04-73370	111	24
172B04-73380	111	26
172B04-73390	111	27
172B04-73400	111	28
172B04-73500	111	22
172B04-73610	103	30
172B04-73630	103	40
172B04-73640	103	43
172B04-73650	103	44
172B04-73710	103	34
172B04-73720	103	48
172B04-73730	103	49
172B04-73750	103	50
172B04-73760	103	51
172B04-73770	103	52
172B04-73780	103	53
172B04-73810	103	54
172B04-74120	114	1
172B04-74150	121	1
172B04-74160	121	2
172B04-74170	121	9
172B04-74190	120	1
172B04-74200	120	5
172B04-74210	120	12
172B04-74230	119	1
172B04-74240	119	3
172B04-74250	119	9
172B04-74270	118	1
172B04-74280	118	4
172B04-74310	118	17
172B04-74320	117	19
172B04-74330	117	24
	118	22
172B04-74350	116	1
172B04-74360	116	3
172B04-74370	116	10
172B04-74390	115	1
172B04-74400	115	3
172B04-74460	120	34
172B04-74800	14	19
172B04-74900	138	1
172B04-75400	126	15
172B04-75450	126	17
172B04-76220	136	1
172B04-76250	136	2
172B04-76350	138	3
172B04-76370	138	4

Parts No.	Fig. No.	Ref. No.
172B04-76420	136	5
172B04-76550	141	2
172B04-76570	141	3
172B04-76700	127	5
172B04-76780	15	18
172B04-76900	15	20
172B04-76910	128	7
172B04-76930	156	2
172B04-77400	141	5
172B04-77600	137	22
172B04-77650	137	23
172B04-77700	141	10
172B04-77800	144	2
172B04-77810	144	3
172B04-77851	137	24
172B04-78100	127	9
172B04-78110	127	10
172B04-78120	127	11
172B04-78130	127	12
172B04-78140	127	13
172B04-78150	127	14
172B04-78162	132	2
172B04-78172	132	3
172B04-78182	133	1
172B04-78192	133	2
172B04-78200	134	6
172B04-78220	132	4
172B04-78230	132	5
172B04-78241	132	6
172B04-78251	132	7
172B04-78260	128	11
172B04-78270	128	12
172B04-78280	134	7
172B04-78290	134	8
172B04-78301	131	3
172B04-78310	127	15
172B04-78320	135	13
172B04-78350	135	14
172B04-78360	135	15
172B04-78380	135	16
172B04-78390	135	17
172B04-78400	136	12
172B04-78410	136	21
172B04-78420	136	13
172B04-78430	136	14
172B04-78511	128	13
172B04-78520	134	9
172B04-78530	131	4
172B04-78540	131	5
172B04-78550	131	6

Parts No. Index

Parts No.	Fig. No.	Ref. No.
172B04-78560	131	7
172B04-78570	131	8
172B04-78600	127	16
172B04-78610	128	14
172B04-78620	131	9
172B04-78630	134	10
172B04-78640	131	10
172B04-78760	131	14
172B04-79011	140	9
172B04-79021	140	10
172B04-79030	141	8
172B04-79110	137	16
172B04-79121	137	17
172B04-79130	137	18
172B04-79140	137	19
172B04-79170	138	19
172B04-79250	139	13
172B04-79650	141	11
172B04-79660	141	12
172B04-79680	141	13
172B04-79720	132	8
172B04-79800	132	9
172B04-79900	132	10
172B04-79950	132	13
172B04-81100	146	1
172B04-81500	147	2
172B04-81650	153	1
172B04-81800	146	9
172B04-81820	104	44
		45
172B04-81840	146	10
172B04-81870	147	11
172B04-81920	147	12
172B04-81950	107	21
172B04-81980	107	23
172B04-82100	150	1
172B04-82110	150	2
172B04-82210	150	5
172B04-82240	150	6
172B04-82250	150	7
172B04-82260	150	8
172B04-82300	145	1
172B04-82320	145	4
172B04-82350	145	6
172B04-82380	145	7
172B04-82390	145	8
172B04-94500	153	6
172B05-04430	2	5
172B05-04441	3	12
	4	17

Parts No.	Fig. No.	Ref. No.
172B05-04450	3	13
	4	18
172B05-04460	2	6
172B05-16101	20	1
172B05-16111	20	3
172B05-16522	26	8
172B05-38120	45	2
172B05-38130	45	3
172B05-38140	45	4
172B05-38150	45	5
		15
172B05-38160	45	6
		16
172B05-38170	45	7
		17
172B05-38180	45	8
172B05-38190	45	9
172B05-38200	45	10
172B05-38210	45	11
		18
172B05-38220	45	12
		19
172B05-54810	60	7
172B05-64010	76	9
172B05-64020	76	10
172B05-64030	76	11
172B05-64040	76	12
172B05-64050	76	13
172B05-64060	76	14
172B05-64070	76	15
172B05-64080	76	16
172B05-64090	76	17
172B05-65100	83	3
172B05-65810	86	6
172B05-65820	86	7
172B05-65830	86	9
172B05-65840	86	10
172B05-65851	86	11
172B05-65860	86	12
172B05-65870	86	13
172B05-65880	86	14
172B05-65890	86	15
172B05-65910	86	3
172B05-65930	86	16
172B05-72440	107	5
172B05-72490	106	15
	108	6
172B05-72520	104	35
	105	32
172B05-72800	108	2

Parts No.	Fig. No.	Ref. No.
172B05-72810	108	11
172B05-72830	108	13
172B05-73360	110	22
172B05-73370	110	24
172B05-73380	110	25
172B05-73390	110	26
172B05-73400	110	27
172B05-73440	110	30
172B05-73470	110	43
172B05-73480	110	45
172B05-73490	110	46
172B05-73500	110	47
172B05-73510	110	49
172B05-73560	110	53
172B05-73610	110	33
172B05-73620	110	56
172B05-73630	110	67
172B05-73640	110	68
172B05-73650	110	69
172B05-73660	110	70
172B05-74730	125	2
172B05-78330	135	18
172B05-78340	135	19
172B06-18420	35	8
172B06-18450	38	1
172B06-18550	34	2
172B06-18560	35	9
172B06-18570	35	10
172B06-18580	35	11
172B06-18680	34	3
	36	11
172B06-18690	34	4
	35	16
	36	15
172B06-18700	35	14
	36	13
	38	15
172B06-18930	34	5
172B06-18960	34	6
172B06-18970	34	7
172B06-19120	34	9
172B06-19140	34	12
172B06-19150	34	14
172B06-19200	34	17
172B06-19260	38	7
172B06-37100	42	2
172B06-37110	42	3
172B06-37120	42	4
172B06-37130	42	5
172B06-37140	42	6

Parts No.	Fig. No.	Ref. No.
172B06-37150	42	7
172B06-37160	42	8
172B06-37180	42	11
172B06-37190	42	12
	43	2
172B06-37320	43	4
172B06-37350	43	5
172B06-37360	43	6
172B06-37390	43	9
172B06-37400	43	10
172B06-37700	42	13
172B06-37870	42	16
172B06-37880	42	17
172B06-37890	42	18
172B06-37901	42	15
172B06-37911	42	19
172B06-37940	42	20
172B06-37951	42	21
172B06-70120	103	2
172B06-70191	103	3
172B06-73320	111	3
172B06-73330	111	6
172B06-73340	111	8
172B06-73420	111	29
172B06-73480	111	30
172B06-73490	111	2
172B11-16540	33	14
172B11-73600	112	1
172B11-73630	112	2
172B12-62130	64	7
172B16-03180	3	3
	4	2
172Q04-81950-Y	140	11
183341-91800	101	11
184014-59450	15	14
184015-44680	14	18
184015-59250	18	25
184016-55701	18	18
184016-55710	18	21
194151-57100	23	1
194200-37780	50	1
194202-56460	19	12
	20	17
	26	37
		38
		39
		40
		41
	33	9
		10

Parts No. Index

Parts No.	Fig. No.	Ref. No.
194202-56460	39	4
	131	2
194680-51670	26	35
	128	10
194940-52110	25	2
194990-22130	40	8
198071-57110	28	6
198071-61890	74	5
	75	4
198220-61480	62	17
		18
198360-52160	25	7
198360-52320	25	4
198360-52330	25	5
198463-86440	98	34
198535-52110	26	11
198535-52120	26	12
198535-52140	26	13
1A1040-43900	37	14
1A1040-45890	50	15
1A1380-62160	63	20
1A1686-57850	26	42
		43
1A6260-27270	33	6
1A7000-52820	20	14
1A7030-87411	40	10
1A7400-61250	16	16
	126	33
1A7450-52180	26	14
1A7470-86750	98	35
1A7470-86770	98	37
1A7470-87320	75	10
1A7522-52950	26	36
	33	8
1A7550-08811	37	1
1A7610-62250	79	2
1A7611-52720	20	13
1A7611-86251	98	31
1A7611-86270	88	5
	98	33
1A7611-86351	88	4
1A8060-84280	40	9
	73	6
	75	16
		17
1A8110-86920	98	38
1A8240-05110	8	7
1A8240-05120	8	8
1C6281-52310	49	14
	50	21

Parts No.	Fig. No.	Ref. No.
1C6281-52310	54	11
		12
		13
	83	1
1C6281-52320	83	2
1C6900-06180	20	11
1D4103-18301	26	34
1E6740-64200	50	22
1E8080-78890	87	8
1E8235-84910	26	18
	33	3
	39	3
1E8775-84120	26	49
1E8915-84120	18	29
	26	50
		51
	29	6
1E9535-79420	98	30
1E9570-83900	26	15
1N1730-61190	77	1
1RF001-93010	33	20
1RF001-93582	33	15
22117-040000	49	15
22117-080000	49	16
	50	23
	124	9
22117-100000	16	18
22117-120000	103	63
22137-050000	30	11
	31	13
	54	14
		15
		16
22137-060000	18	30
22137-080000	8	16
	9	8
		9
		10
	21	3
	29	10
	47	7
		15
	51	3
		4
	56	13
	63	14
		22
	76	26
	77	23
		24

Parts No.	Fig. No.	Ref. No.
22137-080000	126	35
	149	28
22137-100000	14	20
	17	47
	20	18
		19
	21	4
	22	2
	26	52
	29	7
		11
	50	24
	69	3
	76	27
	79	10
	88	7
	89	9
		10
	102	2
	132	16
	137	27
	138	12
	149	29
22137-120000	89	11
22137-140000	54	17
	126	36
22137-160000	87	3
	89	12
	101	12
22137-200000	56	14
22137-240000	124	10
22157-060000	26	53
	83	21
22157-080000	9	11
	20	20
	54	18
	83	22
22157-100000	48	2
	67	6
	68	6
	71	15
	72	11
	76	28
	79	11
	84	6
	101	13
	132	17
		18
22157-120000	66	4
	104	50

Parts No.	Fig. No.	Ref. No.
22157-120000	104	51
	107	27
	146	19
	147	17
	149	30
	153	10
22157-160000	81	2
22190-080002	37	16
22190-120002	126	23
22217-050000	30	12
	31	14
22217-060000	20	21
	37	17
	124	11
22217-080000	18	31
	20	22
	37	18
	50	25
	77	25
22217-100000	11	12
		13
	12	13
		14
	50	26
	60	9
	89	13
	104	52
	105	48
	106	34
	113	12
		16
	132	19
22217-120000	89	14
22217-140000	41	3
	110	73
	126	37
	146	20
		21
22217-160000	11	14
	12	15
	43	12
	44	11
	58	2
	81	3
	87	4
	89	15
	101	14
22242-000140	54	19
22242-000200	56	15
22242-000210	137	2

Parts No. Index

Parts No.	Fig. No.	Ref. No.
22242-000250	137	3
22242-000300	44	7
22242-000350	149	31
22242-000451	113	13
22242-000900	145	10
22252-000220	111	25
22252-000350	149	32
22252-000400	37	19
	149	33
22252-000420	103	59
22252-000621	44	8
22272-000070	56	16
	62	23
		24
22312-050100	116	31
22351-030028	32	16
22351-035040	56	17
22351-060040	56	18
22372-080000	126	38
22417-200160	124	12
22417-200200	56	19
	63	23
	79	12
22417-250200	16	19
	50	27
22487-080300	124	13
22853-300161	122	16
	123	16
22857-600160	83	23
22859-500200	78	9
22877-500120	35	21
23000-013000	131	15
	134	11
	139	14
	142	33
23000-070000	8	17
		18
23001-019000	131	16
23001-022000	35	22
		23
23001-035000	127	17
	128	15
	131	17
	137	20
23001-041000	15	23
	127	18
23001-048000	15	24
		25
23001-060000	127	19
23061-050300	18	32

Parts No.	Fig. No.	Ref. No.
23065-070225	14	15
23080-013000	17	48
23080-018000	35	24
		25
	36	19
23391-020000	142	9
23393-020000	142	10
23394-020000	142	11
23871-005000	109	32
23871-010000	124	14
	130	15
23871-020000	113	14
	130	16
23871-040000	156	3
24101-062010	111	4
24104-062030	37	20
24105-062044	111	19
24105-062064	44	9
24190-070002	104	27
	105	29
	106	25
	107	9
24190-080002	108	10
24311-000060	116	32
24311-000120	117	28
	118	13
		26
	121	11
24311-000160	15	7
	18	22
24311-000200	115	35
24311-000210	50	28
	54	20
24311-000250	124	15
24311-000320	124	16
24315-000050	120	30
24315-000080	27	3
		5
	116	33
	117	18
	120	31
24315-000090	116	40
24315-000100	116	34
		41
24315-000110	111	5
	115	17
		30
	116	13
		35
	117	29

Parts No.	Fig. No.	Ref. No.
24315-000110	118	14
		27
	119	13
		26
	120	11
		32
	121	12
	135	4
	139	5
	140	6
	142	6
24315-000140	108	19
	111	14
	115	31
	116	36
	119	27
	128	4
		6
24315-000180	129	22
	104	41
	105	46
	111	15
	116	37
	129	8
24315-000200	122	21
	123	19
	125	7
24315-000210	137	4
24315-000220	111	16
24315-000240	137	9
24315-000250	137	5
24315-000260	104	33
	105	13
	106	13
24315-000280	111	17
24315-000560	113	9
24315-000750	113	10
24321-000450	103	64
24321-000650	18	23
24321-000900	145	5
24321-001050	126	24
		25
24321-001400	126	26
24325-000700	113	11
24325-001100	111	20
24325-001250	111	21
24341-000300	126	27
24352-190110	103	22
24372-000140	111	18
24550-014150	50	10

Parts No.	Fig. No.	Ref. No.
24550-014150	54	3
		8
24550-035200	109	8
24761-020000	49	17
	50	29
	56	5
	104	36
	145	11
	146	22
	147	18
	148	13
	149	34
	153	11
24761-040000	50	30
	144	9
	146	23
	147	19
	153	12
24761-050000	104	37
	105	40
	106	29
	107	17
26013-060122	14	21
		22
	23	2
	26	54
	77	14
26013-060162	16	20
	18	33
	71	16
26013-060202	26	55
26013-060252	26	56
26013-080122	77	26
26013-080162	8	19
	9	12
		13
		14
	13	12
		13
	14	23
		24
	17	27
		49
	18	34
	19	15
	20	23
	21	5
	26	57
	29	12
	40	11

Parts No. Index

Parts No.	Fig. No.	Ref. No.	
26013-080162	50	31	
	51	5	
		6	
		52	3
		54	21
		71	17
		72	12
		76	29
			30
			31
		79	13
		104	34
		105	14
		106	14
		125	10
		140	12
		149	35
26013-080202	8	20	
	9	15	
		16	
	49	18	
26013-080252	15	26	
	37	21	
26013-100162	18	35	
	29	8	
		13	
	101	15	
	114	2	
	136	19	
		24	
26013-100202	17	50	
	20	24	
		25	
		26	
	21	6	
	22	3	
	24	2	
	26	58	
	37	22	
	48	3	
	50	32	
	54	22	
	62	25	
	66	5	
	69	4	
	74	11	
	75	18	
	76	32	
	79	14	
	88	8	

Parts No.	Fig. No.	Ref. No.	
26013-100202	89	16	
	124	19	
		20	
		125	11
		130	18
			19
			20
		132	20
		140	13
		149	36
26013-100252	14	25	
	24	3	
	48	4	
	67	7	
	68	7	
	84	7	
	86	19	
	100	3	
	107	28	
	127	6	
	153	13	
26013-100302	71	18	
	72	13	
	102	3	
	132	21	
26013-100402	21	7	
26013-100452	136	20	
26013-100502	14	26	
	102	4	
	138	13	
26013-100552	137	6	
26013-100652	137	28	
	138	14	
26013-100702	76	33	
26013-100752	132	22	
26013-120252	104	53	
		54	
	107	29	
	138	15	
	146	24	
		25	
	147	20	
26013-120302	66	6	
	103	65	
	149	37	
	153	14	
	26013-120352	103	66
26013-120402	42	14	
	60	10	
26014-060122	16	21	

Parts No.	Fig. No.	Ref. No.	
26014-060122	26	59	
		60	
		61	
	28	8	
26014-060162	20	27	
	28	9	
	30	13	
	31	15	
	33	12	
		13	
	40	12	
	90	5	
26014-060202	53	3	
		4	
26014-060352	122	23	
	123	21	
26014-080162	13	14	
	16	22	
		23	
	26	62	
		63	
		64	
	28	10	
	36	20	
		21	
	38	17	
	63	15	
		16	
	77	27	
	141	6	
26014-080202	7	9	
	8	21	
	14	27	
		28	
		29	
		28	11
		32	20
		35	26
			27
		36	22
		23	
		27	
	37	23	
	38	18	
	40	13	
	54	23	
	112	4	
	126	28	
		29	
		30	

Parts No.	Fig. No.	Ref. No.	
26014-080252	8	22	
		38	19
		141	7
26014-080302	37	24	
26014-080402	37	25	
26014-100162	63	17	
26014-100202	62	26	
		27	
	63	24	
	64	8	
		9	
	71	19	
		20	
	72	14	
	76	34	
		35	
	77	28	
	83	24	
	84	8	
	132	23	
		24	
	137	29	
	141	15	
		16	
26014-100252	6	5	
	8	23	
	17	51	
	56	20	
		21	
	62	28	
		29	
		30	
		31	
		64	10
	69	5	
	70	4	
	76	36	
	79	15	
	81	4	
	82	5	
	83	25	
		26	
	84	9	
		10	
	85	8	
		9	
		10	
	86	20	
		21	
		22	

Parts No. Index

Parts No.	Fig. No.	Ref. No.
26014-100252	89	17
		18
26014-100302	136	9
	17	52
26014-100602	136	10
	64	11
26014-120552	138	16
26014-120752	138	17
26022-050122	17	28
	124	17
26023-050102	62	32
		33
26051-080002	49	19
	50	33
26076-100252	104	55
	105	49
	106	35
26076-100302	89	19
26076-100352	113	15
26076-100502	12	16
26076-120452	89	20
26076-160402	87	5
26076-160502	87	6
26076-160552	101	16
26076-160702	89	21
	101	17
26106-060162	38	11
26106-060202	35	28
26106-060252	36	24
26106-060602	38	20
	38	12
26106-080162	26	65
26106-080252	78	28
		29
26106-080302	36	25
	37	26
26106-080502	19	16
	47	17
26106-080602	37	27
26106-080652	37	28
26106-080652	37	29
26106-100122	57	3
26106-100162	108	21
	65	5
26106-100252		6
		7
26116-050202		8
	78	30
26116-050202	78	31
26116-050202	30	14

Parts No.	Fig. No.	Ref. No.
26116-050202	31	16
26116-080252	54	24
	149	38
26116-080254	50	34
26116-080304	49	20
26116-080702	18	36
26116-100162	104	56
	105	50
26116-100202	106	36
	50	35
26116-100302	113	17
26116-100454	132	25
26116-100752	151	6
26116-100802	148	14
	149	39
26116-140252	146	26
26116-140352	126	39
26116-160302	146	27
	87	7
26116-160352	101	18
	58	3
26116-160502	81	5
	157	9
26116-160852	44	12
26347-080002	47	8
26347-100002		16
		63
26347-100002	63	18
	83	19
26366-060002	38	27
26367-100002	38	13
26450-050102	17	53
26450-050102	117	30
	118	30
26450-050182		11
		118
26450-050302		15
		28
26450-050502		13
		121
26450-060162	117	31
26450-060302	118	16
26450-060652		29
26450-080252		29
26450-120402		14
26476-050142	121	14
26557-050122	116	38
26559-050202	120	33
26587-040062	124	18
	109	33
	116	39
	111	31
	102	6
	74	12
	86	23
	78	32
	54	28

Parts No.	Fig. No.	Ref. No.
26587-040122	49	21
26657-080002	77	29
26716-060002	20	28
	37	30
26716-080002	20	29
		30
26716-100002	37	31
	49	22
26716-160002	50	36
	115	36
26716-180002	126	31
	148	15
26756-060002	149	40
26756-080002	151	7
41851-000110	44	13
	145	12
	149	41
	54	25
	107	30
	127	2
	128	2
	129	23
	130	2
		8
		10
		13
		21
		22
		23
		25
		28
	134	2
	135	2
	139	2
		7
		9
	140	2
		14
	142	2
		8
		14
41851-000140	108	22
	128	9
	129	4
		6
		10
		13
		15
		19
		24

Parts No.	Fig. No.	Ref. No.
41851-000140	129	25
		27
41851-000180	134	4
	135	6
41851-000240		8
		11
41851-000240	137	11
		13
41851-000240	104	57
	105	51
41851-000240	106	37
	112	5
41851-000240	127	4
	129	17
41851-000240	135	12
	138	18
41851-000240	156	4
	150	14
772151-81611-W	49	23
933110-54100	50	37
933110-54100	54	26
		54
933147-03400	104	58
	105	52
933147-08501	106	38
	157	10
933152-02710	126	32
933168-14170	104	59
933168-55770	105	53
	106	39
933169-15231	20	31
	32	21
933171-13691	98	39
	44	10
933171-15801	20	32
933171-18750	86	24